

Series image - Reference only

EU RoHS	China RoHS
ELV and RoHS Compliant	

Search Parts in this Series

[19069 Series](#)

Application Tooling

Global

Description

Crimp Head for the AT-200™ Pneumatic Hand Tool
Hand Crimp Tool

Product

[0640070100](#)
[0640030100](#)

Part Number: **0190690042**

Status: **Active**

Description: Krimptite™ Ring Tongue Terminal for 18-22 AWG Wire

Documents:

- [Drawing \(PDF\)](#)
- [Related Catalog Page \(PDF\)](#)

Order Products:

- [Check Distributor Inventory](#)
- [Request Samples](#)

Part Detail: [\(show all\)](#)

- o **General**
- o **Physical**
- o **Electrical**
- o **Material Info**
- o **Reference - Drawing Numbers**

General

Product Family	Ring and Spade Terminals
Series	<u>19069</u>
Material - Plating Mating	Tin
Mil-Spec	N/A
Product Name	Krimptite™
Termination Interface: Style	Crimp or Compression
Type	Ring

Physical

Barrel Type	Closed
Insulation	None
Material - Metal	Copper
Packaging Type	Box
Stud Size	1/4" (M6)
Wire Size AWG	18
Wire Size AWG	20
Wire Size AWG	22
Wire Size mm²	0.35 - 0.80

Electrical

CSA	LR18689
UL	E32244

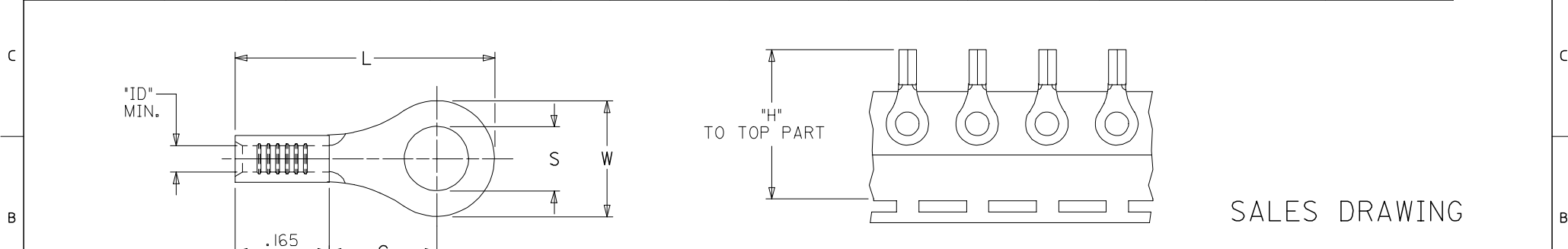
Material Info

Old Part Number	AA-122-14
-----------------	-----------

Reference - Drawing Numbers

Sales Drawing	SD-19069-004
---------------	--------------

	10	9	8	7	6	5	4	3	2	1		
	MATERIAL NO. LOOSE PIECE	ENG. NO.	MATERIAL NO. TAPE MOUNTED	ENG. NO.	STUD SIZE	"S" ±.003/(0.08)	"W" MAX.	"C" MIN.	"L" MAX.	"ID" MIN.	STOCK THICKNESS	"H" ±.020/0.51
F	190690027	AA-120-02	190690028	AA-120-02T	2	.094/(2.39)	.235/(6.00)	.157/(3.99)	.484/(12.29)	.062/(1.57)	.028/(0.71)	1.155/(29.34)
	190690029	AA-120-04	190690030	AA-120-04T	4	.119/(3.02)						
	190690031	AA-120-06	190690032	AA-120-06T	6	.146/(3.71)						
	190690033	AA-121-06	190690034	AA-121-06T	6	.146/(3.71)						
	190690035	AA-121-08	190690036	AA-121-08T	8	.173/(4.39)						
	190690037	AA-121-10	190690038	AA-121-10T	10	.198/(5.03)						
	190690039	AA-121-209	190690475	AA-121-209T	209	.209/(5.18)	.477/(12.11)	.386/(9.80)	.835/(21.21)	.062/(1.57)	.028/(0.71)	1.342/(34.09)
E	190690040	AA-122-10	190690041	AA-122-10T	10	.198/(5.03)						
	190690042	AA-122-14	190690044	AA-122-14T	14	Ⓢ.265/(6.71)						
	190690045	AA-122-56	190690046	AA-122-56T	56	.328/(8.33)						
	190690047	AA-126-10	-----	-----	10	Ⓢ.198/(5.03)						
	190690048	AA-126-14	190690128	AA-126-14T	14	Ⓢ.265/(6.71)						
	190690051	AA-126-56	-----	-----	56	.328/(8.33)	.544/(13.82)	.552/(14.02)	1.034/(26.26)	.055/(1.40)	.031/(0.79)	1.155/(29.34)
	190690049	AA-126-38	190690050	AA-126-38T	38	.390/(9.91)						
	190690052	AA-132-04	190690053	AA-132-04T	4	.119/(3.02)						
D	190690054	AA-132-06	190690055	AA-132-06T	6	.146/(3.71)						
	190690056	AA-132-08	190690057	AA-132-08T	8	.146/(3.71)						
	190690061	AA-133-10	190690062	AA-133-10T	10	.198/(5.03)						
	190690024	AA-1111-02	190690191	AA-1111-02T	2	.094/(2.39)	.197/(5.00)	.173/(4.40)	.490/(12.40)	.055/(1.40)	.031/(0.79)	1.155/(29.34)
	190690025	AA-1111-04	190690026	AA-1111-04T	4	.119/(3.02)						



SALES DRAWING

NOTE(S):
 1. MATERIAL: COPPER.
 2. PLATING: ELECTRO-TIN.
 3. ALL DIMENSIONS IN INCHES/(MM).
 WIRE SIZE:
 22-18 AWG
 0.25-1.5 MM²

.265 DIM WAS .256 EC NO: ETC2006-0015 DRWNG: JYR/CK 2005/07/22 CHKD: JPAW/CK 2005/07/22 APPR: JPAW/CK 2005/07/25	QUALITY SYMBOLS	GENERAL TOLERANCES (UNLESS SPECIFIED)	DIMENSION STYLE IN/MM	SCALE ---	DESIGN UNITS INCH	THIRD ANGLE PROJECTION
	▽=0	4 PLACES ± --- ± ---	DRAWN BY BDEROSS DATE 2000/6/13	TITLE	RING TONGUE TERMINAL	
	▽=0	3 PLACES ± --- ± ---	CHECKED BY JHACKNEY DATE 2000/6/13	KRIMP TITE, 100 SERIES		
	▽=0	2 PLACES ± --- ± ---	APPROVED BY RDEROSS DATE 2000/6/13	22-18 AWG		
REV	DESCRIPTION	ANGULAR ± --- °	MATERIAL NO. SEE CHART	MOLEX INCORPORATED		SHEET NO. 1 OF 1
DRAFT WHERE APPLICABLE MUST REMAIN WITHIN DIMENSIONS			DOCUMENT NO. SD-19069-004		THIS DRAWING CONTAINS INFORMATION THAT IS PROPRIETARY TO MOLEX INCORPORATED AND SHOULD NOT BE USED WITHOUT WRITTEN PERMISSION	