

Switch Language

English

Need Assistance?

- [Contact Us](#)
- [Find a Distributor](#)
- [Order Samples](#)
- [Tech Library](#)

[Printer-friendly page](#)

[Email this page](#)

[Home](#) [Datasheet](#)

Part Number: 0190540108

Status: Active

Description: RING INSULKRIMP (B-237-06X)

Documents:

Note - Please disable browser pop-up blockers for documents on www.molex.com

[Drawing \(PDF\)](#)

Order Products:

[Check Distributor Inventory](#) [Add to My Parts](#)

Part Detail: ([show all](#))

[Physical](#) [Electrical](#) [Material Info](#)

| | |
|----------------|--------------|
| Product Family | Molex Parts |
| Series | <u>19054</u> |

Physical

| | |
|--------------|-------|
| Flammability | 94 V2 |
|--------------|-------|

Electrical

| | |
|-----|---------|
| CSA | LR18689 |
| UL | E32244 |

Material Info

| | |
|-----------------|-----------|
| Old Part Number | B-237-06X |
|-----------------|-----------|



EU RoHS

ELV and RoHS Compliant

China RoHS



Need more information on product compliance?

Email productcompliance@molex.com

Please visit the [Contact Us](#) section for any non-product compliance questions.

Search Parts in this Series

19054 Series

7.001

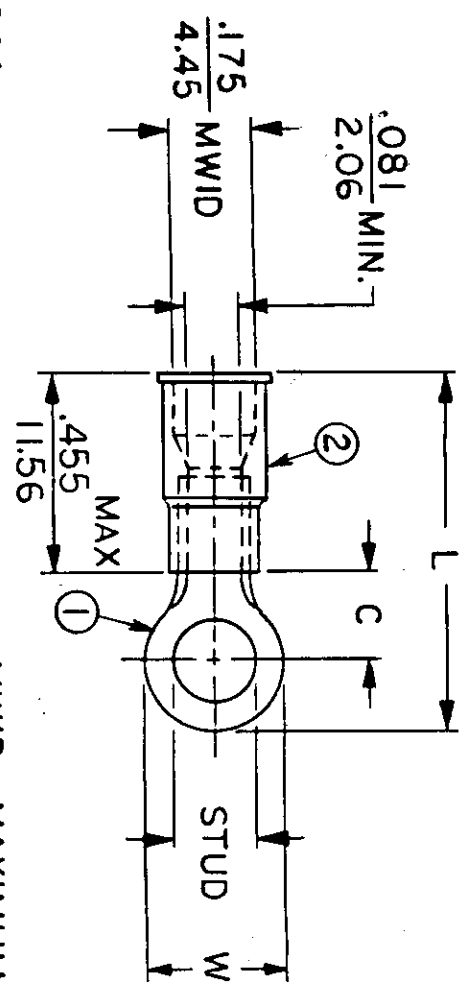
- NOTES:**
- ① MAT'L: COPPER (STOCK TKN. $\frac{.031}{.79}$)
 - PLATING: ELECTRO-TIN (.0003 MIN.)
 - ② INSULATION: MOLDED PVC (BLUE)

STUD SIZES: ($\pm .005$)

- 02 = .094
- 04 = .119
- 06 = .146
- 08 = .173
- 10 = .198
- 14 = .265
- 56 = .328
- 38 = .390

"UL" LISTING #E32244
 "CSA" LISTING #18689

ALL DIMENSIONS = $\frac{\text{INCHES}}{\text{MM}}$



MWID = MAXIMUM WIRE
 INSULATION DIAMETER
 WIRE SIZE: 16-14 AWG
 1.0-2.5 MM²

| PART NUMBER | "W" ±.010 | "C" MIN. | "L" MAX. | REFERENCE | | SCALE: NTS | DATE | TITLE: | DWG. NO. | CUSTOMER DWG. |
|---|----------------------|----------------------|-----------------------|----------------------|-----------|------------|----------|--|----------|---------------|
| | | | | DRWN. BY: | CHKD. BY: | | | | | |
| B-218- | $\frac{.534}{13.56}$ | $\frac{.554}{14.07}$ | $\frac{1.311}{33.30}$ | | | | 10-25-84 | RING TONGUE TERMINAL INSULKRIMP 200 SERIES | A | |
| B-223- | $\frac{.250}{6.35}$ | $\frac{.209}{5.31}$ | $\frac{.835}{21.21}$ | | | | 11-3-84 | | | |
| B-225- | $\frac{.467}{11.86}$ | $\frac{.388}{9.86}$ | $\frac{1.112}{28.24}$ | | | | | | | |
| B-237- | $\frac{.312}{7.92}$ | $\frac{.285}{7.24}$ | $\frac{.926}{23.52}$ | | | | | | | |
| B-239- | $\frac{.342}{8.69}$ | $\frac{.310}{7.87}$ | $\frac{.971}{24.66}$ | | | | | | | |
| DIMENSIONAL TOLERANCES UNLESS OTHERWISE SPECIFIED | | | | SCALE: NTS | | DATE | | TITLE: | | |
| FRAC. DEC. ANG. | | | | DRWN. BY: GZ | | 11-3-84 | | RING TONGUE TERMINAL INSULKRIMP 200 SERIES | | |
| | | | | CHKD. BY: APPRD. BY: | | | | | | |

