

Switch Language

English

Need Assistance?

[Contact Us](#)  
[Find a Distributor](#)  
[Order Samples](#)  
[Tech Library](#)

[Printer-friendly page](#)

[Email this page](#)

[Home](#)   [Quick Disconnects](#)   [Datasheet](#)

**Part Number:** 0190190012

**Status:** Active

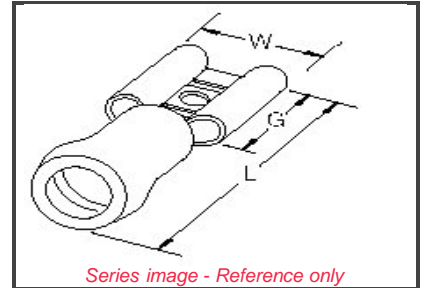
**Description:** Avikrimp™ Quick Disconnect, Female, for 18-22 (0.80-0.35) Wire, Box, Tab 6.35mm (.250") x 0.81mm (.032")

**Documents:**

*Note - Please disable browser pop-up blockers for documents on www.molex.com*

[Drawing \(PDF\)](#)

[Related Catalog Page \(PDF\)](#)



**Order Products:**

[Check Distributor Inventory](#)

[Add to My Parts](#)

[Request Samples](#)

**Part Detail:** ([show all](#))

[General](#)   [Physical](#)   [Electrical](#)   [Material Info](#)

**General**

Product Family	Quick Disconnects
Series	<a href="#">19019</a>
Product Name	Avikrimp™
Type	Quick Disconnect

**Physical**

Barrel Type	Closed
Flammability	94 V0
Gender	Female
Insulation	Nylon (PA)
Lock to Mating Part	None
Material - Metal	Brass
Orientation	Straight
Packaging Type	Bag
Polarized to Mating Part	No
Tab Thickness	0.81mm (.032")
Tab Width	6.35mm (.250")
Temperature Range - Operating	-65°C to +105°C
Wire Insulation Diameter	2.90mm (.115") max.
Wire Size AWG	18
Wire Size AWG	20
Wire Size AWG	22
Wire Size mm²	0.35 - 0.80

**Electrical**

CSA	LR18689
UL	E79133
Voltage - Maximum	300V

**Material Info**

Old Part Number	AA-8140
-----------------	---------

**Reference - Drawing Numbers**

Sales Drawing	SD-19019-001
---------------	--------------

**EU RoHS**

**ELV and RoHS Compliant**

**China RoHS**



**Need more information on product compliance?**

Email [productcompliance@molex.com](mailto:productcompliance@molex.com)

Please visit the [Contact Us](#) section for any non-product compliance questions.

**Search Parts in this Series**

[19019](#) Series

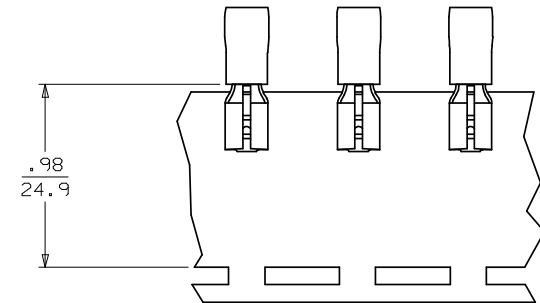
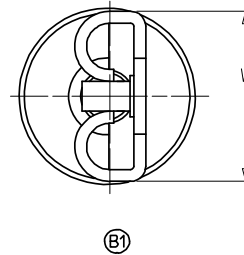
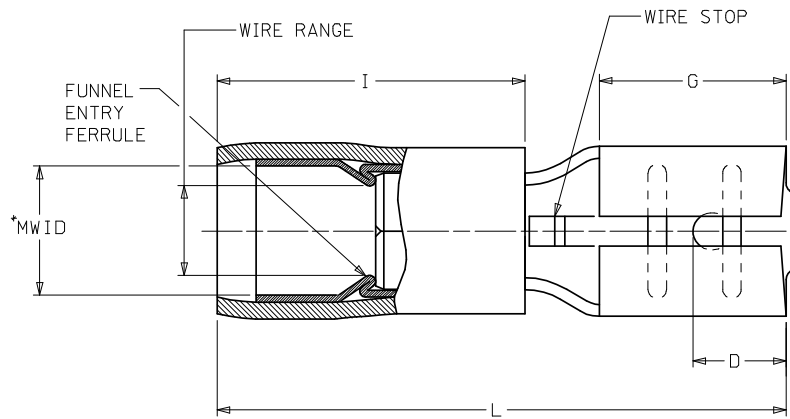
**Application Tooling**

*Tooling specifications and manuals are found by selecting the products below. Crimp Height Specifications are then contained in the Application Tooling Specification document.*

**Global**

Description	Product #
Hand Crimp Tool	<a href="#">0640010200</a>
Hand Crimp Tool	<a href="#">0640011700</a>
Crimp Head for the AT-200™ Pneumatic Hand Tool	<a href="#">0640050200</a>

LOOSE PIECE		TAPE MOUNTED		SPECIFICATIONS										
MATERIAL NUMBER	ENGINEERING NUMBER	MATERIAL NUMBER	ENGINEERING NUMBER	INS. COLOR	WIRE RANGE		FITS MALE TAB SIZE	STOCK THICKNESS	"L" MAX.	"I" MAX. (B1)	"W" MAX.	"D" ±.01	"G" NOM.	MWID
190190012	AA-8140	190190013	AA-8140T	RED	22-18	0.25-1.5	.250x.032 (6.35X0.81)	.016 (0.41)	.865 (21.97)	.43 (10.9)	.301 (7.65)	.156 (3.96)	.31 (7.9)	.115 (2.92)
190190031	BB-8141	190190033	BB-8141T	BLUE	16-14	1.0-2.5	.250x.032 (6.35X0.81)	.016 (0.41)	.865 (21.97)	.43 (10.9)	.301 (7.65)	.156 (3.96)	.31 (7.9)	.138 (3.51)
190190052	P-8142	190190054	P-8142T	YELLOW	14-12	1.65-4.2	.250x.032 (6.35X0.81)	.016 (0.41)	.865 (21.97)	.43 (10.9)	.301 (7.65)	.156 (3.96)	.31 (7.9)	.170 (4.32)
190190037	C-8143	190190038	C-8143T	YELLOW	10-12	4.0-6.0	.250x.032 (6.35X0.81)	.018 (0.46)	1.011 (25.68)	.57 (14.5)	.301 (7.65)	.156 (3.96)	.31 (7.9)	.225 (5.70)
190190014	AA-8190	190190016	AA-8190T	RED	22-18	0.25-1.5	.205x.020 (5.21X0.51)	.016 (0.41)	.789 (20.04)	.43 (10.9)	.251 (6.38)	.125 (3.18)	.25 (6.4)	.115 (2.92)
190190034	BB-8191	190190064	BB-8191T	BLUE	16-14	1.0-2.5	.205x.020 (5.21X0.51)	.016 (0.41)	.789 (20.04)	.43 (10.9)	.251 (6.38)	.125 (3.18)	.25 (6.4)	.138 (3.51)
190190015	AA-8190-032	190190058	AA-8190-032T	RED	22-18	0.25-1.5	.205x.032 (5.21X0.81)	.016 (0.41)	.789 (20.04)	.43 (10.9)	.251 (6.38)	.125 (3.18)	.25 (6.4)	.115 (2.92)
190190035	BB-8191-032	190190063	BB-8191-032T	BLUE	16-14	1.0-2.5	.205x.032 (5.21X0.81)	.016 (0.41)	.789 (20.04)	.43 (10.9)	.251 (6.38)	.125 (3.18)	.25 (6.4)	.138 (3.51)
190190044	M-8136-032	190190045	M-8136-032T	YELLOW	26-24	0.1-0.3	.187x.032 (4.75X0.81)	.016 (0.41)	.694 (18.03)	.31 (7.9)	.238 (6.05)	.125 (3.18)	.25 (6.4)	.072 (1.83)
190190008	AA-8137-032	190190009	AA-8137-032T	RED	22-18	0.25-1.5	.187x.032 (4.75X0.81)	.016 (0.41)	.789 (20.04)	.43 (10.9)	.238 (6.05)	.125 (3.18)	.25 (6.4)	.115 (2.92)
190190028	BB-8138-032	190190029	BB-8138-032T	BLUE	16-14	1.0-2.5	.187x.032 (4.75X0.81)	.016 (0.41)	.789 (20.04)	.43 (10.9)	.238 (6.05)	.125 (3.18)	.25 (6.4)	.138 (3.51)
190190049	P-8139-032	190190050	P-8139-032T	YELLOW	14-12	1.65-4.2	.187x.032 (4.75X0.81)	.016 (0.41)	.789 (20.04)	.43 (10.9)	.238 (6.05)	.125 (3.18)	.25 (6.4)	.170 (4.32)
190190043	M-8136	190190046	M-8136T	YELLOW	26-24	0.1-0.3	.187x.020 (4.75X0.51)	.016 (0.41)	.694 (18.03)	.31 (7.9)	.238 (6.05)	.125 (3.18)	.25 (6.4)	.072 (1.83)
190190006	AA-8137	190190011	AA-8137T	RED	22-18	0.25-1.5	.187x.020 (4.75X0.51)	.016 (0.41)	.789 (20.04)	.43 (10.9)	.238 (6.05)	.125 (3.18)	.25 (6.4)	.115 (2.92)
190190027	BB-8138	190190030	BB-8138T	BLUE	16-14	1.0-2.5	.187x.020 (4.75X0.51)	.016 (0.41)	.789 (20.04)	.43 (10.9)	.238 (6.05)	.125 (3.18)	.25 (6.4)	.138 (3.51)
190190048	P-8139	190190051	P-8139T	YELLOW	14-12	1.65-4.2	.187x.020 (4.75X0.51)	.016 (0.41)	.789 (20.04)	.43 (10.9)	.238 (6.05)	.125 (3.18)	.25 (6.4)	.170 (4.32)
190190041	M-8133	190190042	M-8133T	YELLOW	26-24	0.1-0.3	.110x.032 (2.80X0.81)	.012 (0.30)	.694 (18.03)	.31 (7.9)	.163 (4.14)	.210 (5.33)	.25 (6.4)	.072 (1.83)
190190004	AA-8134	190190005	AA-8134T	RED	22-18	0.25-1.5	.110x.032 (2.80X0.81)	.012 (0.30)	.789 (20.04)	.43 (10.9)	.163 (4.14)	.210 (5.33)	.25 (6.4)	.115 (2.92)
190190025	BB-8135	190190026	BB-8135T	BLUE	16-14	1.0-2.5	.110x.032 (2.80X0.81)	.012 (0.30)	.789 (20.04)	.43 (10.9)	.163 (4.14)	.210 (5.33)	.25 (6.4)	.138 (3.51)
190190039	M-8130	190190040	M-8130T	YELLOW	26-24	0.1-0.3	.110x.020 (2.80X0.51)	.012 (0.30)	.694 (18.03)	.31 (7.9)	.163 (4.14)	.210 (5.33)	.25 (6.4)	.072 (1.83)
190190001	AA-8131	190190003	AA-8131T	RED	22-18	0.25-1.5	.110x.020 (2.80X0.51)	.012 (0.30)	.789 (20.04)	.43 (10.9)	.163 (4.14)	.210 (5.33)	.25 (6.4)	.115 (2.92)
190190022	BB-8132	190190024	BB-8132T	BLUE	16-14	1.0-2.5	.110x.020 (2.80X0.51)	.012 (0.30)	.789 (20.04)	.43 (10.9)	.163 (4.14)	.210 (5.33)	.25 (6.4)	.138 (3.51)



PARTS ON TAPE

- NOTES:  
 1. MATERIAL: BRASS  
 2. FINISH: ELECTRO-TIN PLATING  
 3. INSULATION: EXTRUDED NYLON  
 4. \*MWID=MAXIMUM WIRE INSULATION DIAMETER

FIX TEXT, CORRECT *DIM EC. NO: WNA 2008-0012 DRAWN: THRODAHL 2008/02/24 CHKD: JMACNEIL 2008/03/03 APPR: JMACNEIL 2008/03/03	QUALITY SYMBOLS	GENERAL TOLERANCES (UNLESS SPECIFIED)	DIMENSION STYLE	SCALE	DESIGN UNITS	THIRD ANGLE PROJECTION														
	$\nabla=0$ $\nabla=0$	<table border="1"> <tr><th colspan="2">UNLESS SPECIFIED</th></tr> <tr><th>mm</th><th>INCH</th></tr> <tr><td>4 PLACES ±---</td><td>±---</td></tr> <tr><td>3 PLACES ±---</td><td>±.005</td></tr> <tr><td>2 PLACES ±0.13</td><td>±.01</td></tr> <tr><td>1 PLACE ±0.25</td><td>±---</td></tr> <tr><td colspan="2">ANGULAR ±---°</td></tr> </table>	UNLESS SPECIFIED		mm	INCH	4 PLACES ±---	±---	3 PLACES ±---	±.005	2 PLACES ±0.13	±.01	1 PLACE ±0.25	±---	ANGULAR ±---°		IN/MM	---	INCH	
	UNLESS SPECIFIED																			
	mm	INCH																		
4 PLACES ±---	±---																			
3 PLACES ±---	±.005																			
2 PLACES ±0.13	±.01																			
1 PLACE ±0.25	±---																			
ANGULAR ±---°																				
DESCRIPTION	DRAFT WHERE APPLICABLE MUST REMAIN WITHIN DIMENSIONS	DRAWN BY DATE	TITLE																	
B1		BRE 2001/07/25	QUICK DISCONNECT AVIKRIMP LOOSE PIECE & TAPE MOUNT																	
		CHECKED BY DATE	MOLEX MOLEX INCORPORATED																	
		HEB 2001/07/25	SD-19019-001																	
		APPROVED BY DATE	SHEET NO. 1 OF 1																	
		RWD 2001/07/25																		
		MATERIAL NO.	DOCUMENT NO.																	
		SEE CHART																		
		SIZE	THIS DRAWING CONTAINS INFORMATION THAT IS PROPRIETARY TO MOLEX INCORPORATED AND SHOULD NOT BE USED WITHOUT WRITTEN PERMISSION																	