

Series image - Reference only

EU RoHS	China RoHS
ELV and RoHS Compliant	

Search Parts in this Series

[19012 Series](#)

Application Tooling

Global

Description

Crimp Head for the AT-200™ Pneumatic Hand Tool
Hand Crimp Tool

Product

[0640056400](#)
[0640016400](#)

Part Number: **0190120003**

Status: **Obsolete**

Description: Avikrimp™ Quick Disconnect, Dual, for 14-16 (2.00-1.30) Wire, Box, Tab 6.35mm (.250") x 0.81mm (.032")

Documents:

- [Drawing \(PDF\)](#)

Order Products:

- [Check Distributor Inventory](#)

Part Detail: [\(show all\)](#)

○	General	
○	Physical	
○	Electrical	
○	Material Info	

General

Product Family	Quick Disconnects
Series	<u>19012</u>
Comments	Funnel Ferrule Entry
Product Name	Avikrimp™
Type	Quick Disconnect

Physical

Barrel Type	Closed
Breakaway	No
Flammability	94 V0
Flammability	94V-0
Gender	Dual
Insulation	Nylon (PA)
Lock to Mating Part	None
Material - Metal	Brass
Number of Rows	0
Orientation	Piggyback
Packaging Type	Box
Polarized to Mating Part	No
Tab Thickness	0.81mm (.032")
Tab Width	6.35mm (.250")
Temperature Range - Operating	-65°C to +105°C
Wire Insulation Diameter	3.60mm (.142") max.
Wire Size AWG	14
Wire Size AWG	16
Wire Size mm ²	1.30 - 2.00

Electrical

CSA	LR18689
UL	E79133
Voltage - Maximum	300V

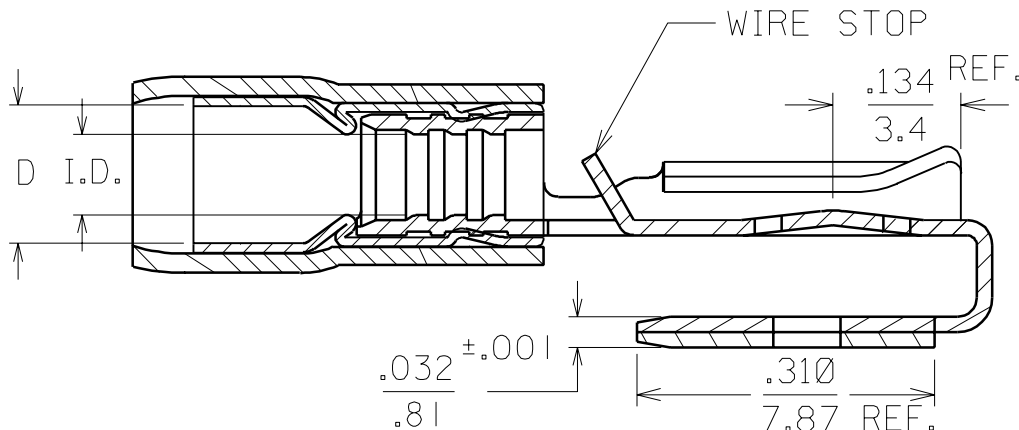
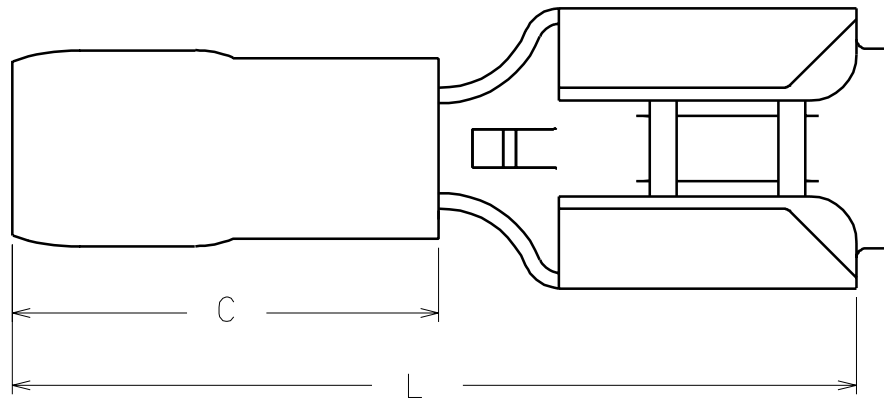
Material Info

Old Part Number	BB-8302
-----------------	---------

PART NO.	WIRE SIZE	INSULATION COLOR	I.D. ±.004	D. ±.005	C. ±.015	L. ±.030
AA-8301	22-18 AWG	RED	.064/(1.55)	.119/(3.02)	.442/(11.23)	.878/(22.30)
BB-8302	16-14 AWG	BLUE	.085/(2.15)	.143/(3.63)	.444/(11.28)	.879/(22.33)
C-8303	12-10 AWG	YELLOW	.146/(3.71)	.231/(5.87)	.550/(13.97)	.981/(24.92)

DRWG. NO. CD-8907

ADD "T" TO END OF P/N FOR PARTS MOUNTED ON TAPE



NOTES:

1. TERMINAL:
MATERIAL: BRASS
FINISH: ELECTRO-TIN
2. INSULATION
MATERIAL: NYLON
3. FERRULE
MATERIAL: BRASS
FINISH: ELECTRO-TIN

CUSTOMER DRAWING

A	NEW DRAWING RELEASE ETC60371 3/19 JH
LTR.	REVISIONS

DIMENSIONS SHOWN (METRIC) INCH	
UNLESS OTHERWISE SPECIFIED TOLERANCES: ANGULAR ± 1/2°	
	INCH METRIC
3 PLACE	± .005 ± ---
2 PLACE	± .01 ± 0.13
1 PLACE	± --- ± 0.25
DRAFT WHERE APPLICABLE MUST REMAIN WITHIN DIMENSIONS	
DRWG. BY JH	CHK'D. BY RWD
APP'D. BY RWD	SCALE N. = A.

REVISE ONLY ON CAD SYSTEM	
TITLE AVIKRIMP PIGGYBACK Q.D. QUICK DISCONNECTS .250x.032 TAB SIZE	
molex ETC INC. PINELLAS PARK, FLA. 33781 U.S.A.	SHEET NO. DATE 96/03/19
PART NO. SEE CHART	DRWG. NO. CD-8907
FILE NAME CD8907 CST	THIS DRAWING CONTAINS INFORMATION THAT IS PROPRIETARY TO MOLEX-ETC INC. AND SHOULD NOT BE USED WITHOUT WRITTEN PERMISSION.
DIV.	SIZE A