

Series image - Reference only

EU RoHS	China RoHS
ELV and RoHS Compliant	

Search Parts in this Series

[19009 Series](#)

Application Tooling

Global

Description	Product #
Hand Crimp Tool	0640034200

Part Number: **0190090001**

Status: **Active**

Description: VibraKrimp™ Quick Disconnect Flag, Female, for 18-22 AWG Wire

Documents:

- [Drawing \(PDF\)](#)
- [Product Specification PS-19902-005 \(PDF\)](#)
- [Related Catalog Page \(PDF\)](#)

Order Products:

- [Check Distributor Inventory](#)
- [Request Samples](#)

Part Detail: [\(show all\)](#)

○ **General**

○ **Physical**

○ **Electrical**

○ **Material Info**

○ **Reference - Drawing Numbers**

General

Product Family	Quick Disconnects
Series	<u>19009</u>
Comments	Wire Grip
Product Name	VibraKrimp™
Type	Quick Disconnect

Physical

Barrel Type	Closed
Gender	Female
Insulation	None
Lock to Mating Part	None
Material - Metal	Brass
Orientation	Flag
Packaging Type	Box
Polarized to Mating Part	No
Tab Thickness	0.81mm (.032")
Tab Width	6.35mm (.250")
Temperature Range - Operating	Per Wire Specification
Wire Insulation Diameter	3.43mm (.135")
Wire Size AWG	18
Wire Size AWG	20
Wire Size AWG	22
Wire Size mm ²	0.35 - 0.80

Electrical

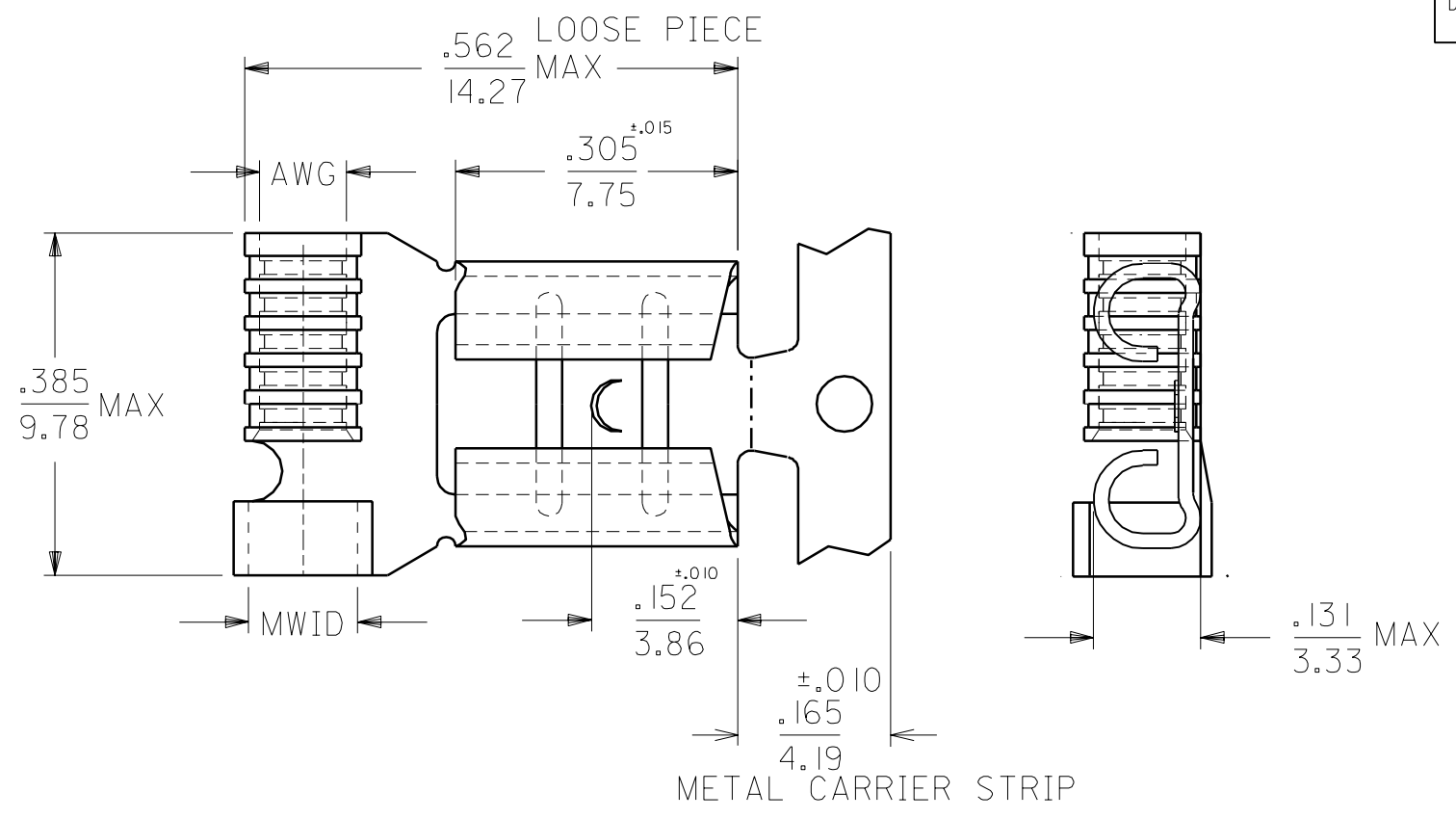
CSA	LR18689
UL	E79133
Voltage - Maximum	PER WIRE SPECIFICATION

Material Info

Old Part Number	AA-4168
-----------------	---------

Reference - Drawing Numbers

Product Specification	PS-19902-005
-----------------------	--------------



METAL STRIP PART NO.	LOOSE PIECE PART NO.	AWG	MWID	PLATING
AAZ-4168	AA-4168	22-18	.135/3.43	TIN
BBZ-4169	BB-4169	16-14	.145/3.68	TIN
NA	AA-4168-N	22-18	.135/3.43	NICKEL
NA	BB-4169-N	16-14	.145/3.68	NICKEL

A	ADD NICKLE PLATED PARTS TO CHART ET80171 04/24 JH
LTR.	REVISIONS

MATERIAL: .016 THICK BRASS

NOTES:
1. ALL DIMENSIONS = INCHES/MM

DIMENSIONS SHOWN (METRIC) INCH	
UNLESS OTHERWISE SPECIFIED TOLERANCES: ANGULAR ± 1/2°	
	INCH METRIC
3 PLACE	± .005 ± ---
2 PLACE	± .01 ± 0.13
1 PLACE	± --- ± 0.25
DRAFT WHERE APPLICABLE MUST REMAIN WITHIN DIMENSIONS	
DRWG. BY RCM	CHK'D. BY JM
APP'D. BY FP	SCALE 5: 1

REVISE ONLY ON CAD SYSTEM			
TITLE NON-INSULATED FLAG WITH INSULATION SUPPORT .250 X .032 TAB			
molex ETC INC. PINELLAS PARK, FLA. 33781 U.S.A.		SHEET NO.	DATE 11/07/91
PART NO.		DRWG. NO. CUST. DRWG.	
FILE NAME CDFGS250 DGN	THIS DRAWING CONTAINS INFORMATION THAT IS PROPRIETARY TO MOLEX-ETC INC. AND SHOULD NOT BE USED WITHOUT WRITTEN PERMISSION.		DIV. SIZE A