

Series image - Reference only

EU RoHS	China RoHS				
ELV and RoHS Compliant					
<p>Search Parts in this Series 19008 Series</p> <p>Application Tooling</p> <hr/> <p>Global</p> <table border="1"><thead><tr><th data-bbox="451 1192 690 1224">Description</th><th data-bbox="698 1192 852 1224">Product #</th></tr></thead><tbody><tr><td data-bbox="451 1228 690 1260">Hand Crimp Tool</td><td data-bbox="698 1228 852 1260">0640034200</td></tr></tbody></table>		Description	Product #	Hand Crimp Tool	0640034200
Description	Product #				
Hand Crimp Tool	0640034200				

Part Number: **0190080006**

Status: **Active**

Description: Flag Krimptite™ Quick Disconnect, Female, for 18-22 (0.80-0.35) Wire, Box, Tab 6.35mm (.250") x 0.81mm (.032")

Documents:

- [Drawing \(PDF\)](#)
- [Related Catalog Page \(PDF\)](#)

Order Products:

- [Check Distributor Inventory](#)
- [Request Samples](#)

Part Detail: (show all)

- **General**
- **Physical**
- **Electrical**
- **Material Info**
- **Reference - Drawing Numbers**

General

Product Family	Quick Disconnects
Series	<u>19008</u>
Product Name	Krimptite™
Type	Quick Disconnect

Physical

Barrel Type	Closed
Gender	Female
Insulation	None
Lock to Mating Part	None
Material - Metal	Brass
Orientation	Flag
Packaging Type	Box
Polarized to Mating Part	No
Tab Thickness	0.81mm (.032")
Tab Width	6.35mm (.250")
Temperature Range - Operating	Per Wire Specification
Termination Interface: Style	Crimp or Compression
Wire Size AWG	18
Wire Size AWG	20
Wire Size AWG	22
Wire Size mm ²	0.35 - 0.80

Electrical

CSA	LR18689
UL	E79133
Voltage - Maximum	PER WIRE SPECIFICATION

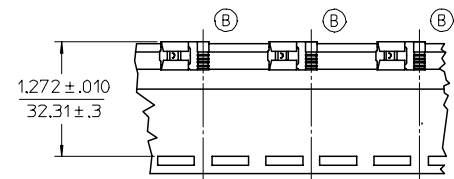
Material Info

Old Part Number	AA-1158
-----------------	---------

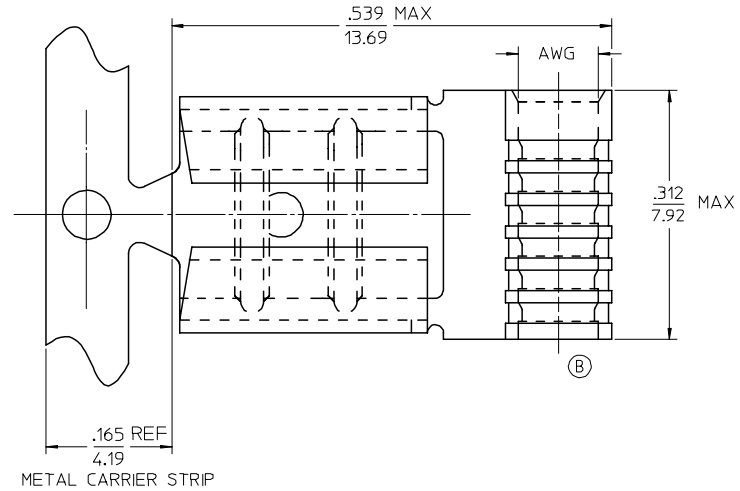
Reference - Drawing Numbers

Sales Drawing	SD-19008-013
---------------	--------------

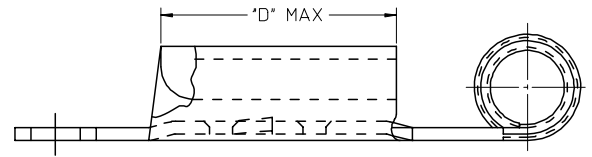
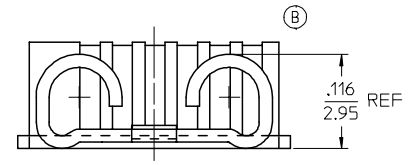
	13	12	11	10	9	8	7	6	5	4	3	2	1
J	MATERIAL NUMBER ON STRIP	ENGINEERING NUMBER ON STRIP	MATERIAL NUMBER LOOSE PIECE	ENGINEERING NUMBER LOOSE PIECE	TAPE MATERIAL NUMBER	TAPE ENGINEERING NUMBER	AWG	TAB SIZE	D MAX				
	190080008	AAZ-1147	190080001	AA-1147	190080004	AA-1147T	22-18	.187 X .020	.257/6.53				
	190080009	AAZ-1147-032	190080002	AA-1147-032	190080003	AA-1147-032T	22-18	.187 X .032	.257/6.53				
	190080013	AAZ-1158	190080006	AA-1158	190080007	AA-1158T	22-18	.250 X .032	.312/7.92	(B)			
	190080028	BBZ-1148	190080019	BB-1148	190080022	BB-1148T	16-14	.187 X .020	.257/6.53				
	190080029	BBZ-1148-032	190080020	BB-1148-032	190080021	BB-1148-032T	16-14	.187 X .032	.257/6.53				
I	190080031	BBZ-1159	190080024	BB-1159	190080027	BB-1159T	16-14	.250 X .032	.312/7.92	(B)			



PARTS ON TAPE



METAL CARRIER STRIP



SALES DRAWING

NOTES:

1. MATERIAL: BRASS .016/0.04 THICK. PLATING ELECTRO-TIN.
2. TAB SIZE SEE CHART.
3. WIRE AWG SEE CHART.
- (B) 4. PART IS ROHS COMPLIANT.

REVISED BARREL & CHART FC NO: ETC2007-0001 DRAWN BY: DRW:NEHLE CHKD: JMACNEIL APPR: RDEROSS 2006/07/13 2006/07/17 2006/07/17	QUALITY SYMBOLS	GENERAL TOLERANCES (UNLESS SPECIFIED) <table border="1"> <tr> <th></th> <th>mm</th> <th>INCH</th> </tr> <tr> <td>4 PLACES</td> <td>± .005</td> <td>± .0005</td> </tr> <tr> <td>3 PLACES</td> <td>± .005</td> <td>± .0005</td> </tr> <tr> <td>2 PLACES</td> <td>± .13</td> <td>± .01</td> </tr> <tr> <td>1 PLACE</td> <td>± .25</td> <td>± .01</td> </tr> </table>		mm	INCH	4 PLACES	± .005	± .0005	3 PLACES	± .005	± .0005	2 PLACES	± .13	± .01	1 PLACE	± .25	± .01	DIMENSION STYLE IN/MM	SCALE NONE	DESIGN UNITS INCH	THIRD ANGLE PROJECTION
			mm	INCH																	
	4 PLACES		± .005	± .0005																	
	3 PLACES		± .005	± .0005																	
2 PLACES	± .13	± .01																			
1 PLACE	± .25	± .01																			
DESCRIPTION	DRAWN BY: BENDERLE DATE: 2005/01/25 CHECKED BY: R DEROSS DATE: 2005/01/25 APPROVED BY: R DEROSS DATE: 2005/01/25	MATERIAL NO. SEE CHART	TITLE FLAG QD 22-18 AWG & 16-14 AWG .187X.020&.032,.250X.032	MOLEX INCORPORATED	DOCUMENT NO. SD-19008-013	SHEET NO. 1 OF 1															
	DRAFT WHERE APPLICABLE MUST REMAIN WITHIN DIMENSIONS	SIZE C	THIS DRAWING CONTAINS INFORMATION THAT IS PROPRIETARY TO MOLEX INCORPORATED AND SHOULD NOT BE USED WITHOUT WRITTEN PERMISSION																		