

Series image - Reference only

EU RoHS	China RoHS
ELV and RoHS Compliant	

Search Parts in this Series

[19007 Series](#)

Application Tooling

Global

Description

Hand Crimp Tool

Crimp Head for the AT-200™ Pneumatic Hand Tool

Product

[0640014100](#)

[0640054100](#)

Part Number: **0190070001**

Status: **Active**

Description: Flag InsulKrimp™ Quick Disconnect, Female, for 18-22 (0.80-0.35) Wire, Box, Tab 6.35mm (.250") x 0.81mm (.032")

Documents:

- [Drawing \(PDF\)](#)
- [Product Specification PS-19902-008 \(PDF\)](#)
- [Related Catalog Page \(PDF\)](#)

Order Products:

- [Check Distributor Inventory](#)
- [Request Samples](#)

○

Part Detail: (show all)

○ **General**

○ **Physical**

○ **Electrical**

○ **Material Info**

○ **Reference - Drawing Numbers**

General

Product Family	Quick Disconnects
Series	<u>19007</u>
Product Name	InsulKrimp™
Type	Quick Disconnect

Physical

Barrel Type	Closed
Color - Resin	Natural
Flammability	94 V0
Gender	Female
Insulation	Nylon (PA)
Lock to Mating Part	None
Material - Metal	Brass
Material - Resin	Nylon
Orientation	Flag
Packaging Type	Box
Polarized to Mating Part	No
Tab Thickness	0.81mm (.032")
Tab Width	6.35mm (.250")
Temperature Range - Operating	-65°C to +105°C
Wire Insulation Diameter	4.44mm (.175") max.
Wire Size AWG	18
Wire Size AWG	20
Wire Size AWG	22
Wire Size mm ²	0.35 - 0.80

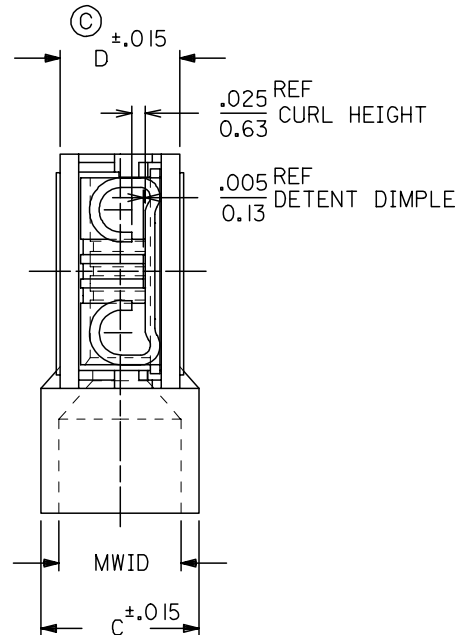
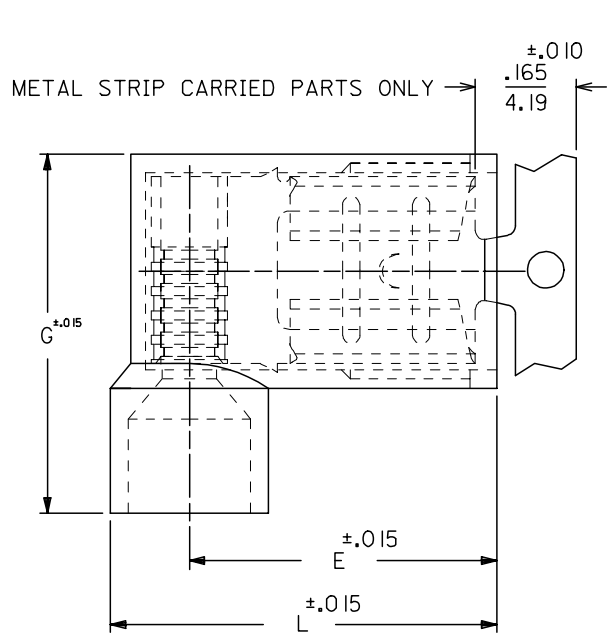
Electrical

CSA	LR18689
UL	E79133
Voltage - Maximum	600V

Material Info

Old Part Number	AA-2220
-----------------	---------

MATERIAL NUMBER	ENGINEERING NUMBER	CARRIER STYLE	AWG	COLOR	MWID	L	G	E	C	D
190070001	AA-2220	LOOSE	22-18	RED	.176/4.47	.630/16.00	.585/14.86	.512/13.00	.236/5.99	.197/5.00
190070005	AA-2220X	LOOSE	22-18	RED	.240/6.10	.662/16.81	.625/15.88	.512/13.00	.300/7.26	.197/5.00
190070021	BB-2221	LOOSE	16-14	BLUE	.200/5.08	.630/16.00	.585/14.86	.500/12.70	.260/6.60	.197/5.00
190070025	BB-2221X	LOOSE	16-14	BLUE	.265/6.73	.670/17.02	.625/15.88	.500/12.70	.325/8.26	.197/5.00
190070040	C-2211	LOOSE	12-10	YELLOW	.260/6.60	.667/16.93	.677/17.20	.511/12.98	.311/7.90	.246/6.25
190070008	AA-2220Z	METAL STRIP	22-18	RED	.176/4.47	.630/16.00	.585/14.86	.512/13.00	.236/5.99	.197/5.00
190070007	AA-2220XZ	METAL STRIP	22-18	RED	.240/6.10	.662/16.81	.625/15.88	.512/13.00	.300/7.26	.197/5.00
190070028	BB-2221Z	METAL STRIP	16-14	BLUE	.200/5.08	.630/16.00	.585/14.86	.500/12.70	.260/6.60	.197/5.00
190070027	BB-2221XZ	METAL STRIP	16-14	BLUE	.265/6.73	.670/17.02	.625/15.88	.500/12.70	.325/8.26	.197/5.00
190070041	C-2211Z	METAL STRIP	12-10	YELLOW	.260/6.60	.667/16.93	.677/17.20	.511/12.98	.311/7.90	.246/6.25



- NOTES:
1. MWID = MAX. WIRE INSULATION DIA.
 2. ALL DIMENSIONS = INCHES/MM
 3. MATERIAL:
HOUSING: NYLON
TERMINAL: TIN PLATED BRASS
 4. ASSEMBLY IS ROHS COMPLIANT.

REDWN W/DIM. D ADDED EC NO: ETC2007-0229 DRW: NEHLE 2006/12/15 CHKD: JMACNEIL 2006/12/15 APPR: JMACNEIL 2006/12/15	QUALITY SYMBOLS	GENERAL TOLERANCES (UNLESS SPECIFIED)	DIMENSION STYLE	SCALE	DESIGN UNITS	THIRD ANGLE PROJECTION															
	$\nabla=0$ $\nabla=0$	<table border="1"> <thead> <tr> <th></th> <th>mm</th> <th>INCH</th> </tr> </thead> <tbody> <tr> <td>4 PLACES</td> <td>± ---</td> <td>± ---</td> </tr> <tr> <td>3 PLACES</td> <td>± ---</td> <td>± .005</td> </tr> <tr> <td>2 PLACES</td> <td>± 0.13</td> <td>± .01</td> </tr> <tr> <td>1 PLACE</td> <td>± 0.25</td> <td>± ---</td> </tr> </tbody> </table>		mm	INCH	4 PLACES	± ---	± ---	3 PLACES	± ---	± .005	2 PLACES	± 0.13	± .01	1 PLACE	± 0.25	± ---	IN/MM	5:1	INCH	
		mm	INCH																		
	4 PLACES	± ---	± ---																		
3 PLACES	± ---	± .005																			
2 PLACES	± 0.13	± .01																			
1 PLACE	± 0.25	± ---																			
DRAFT WHERE APPLICABLE MUST REMAIN WITHIN DIMENSIONS	<table border="1"> <tr> <td>DRAWN BY</td> <td>DATE</td> <td rowspan="2">TITLE</td> </tr> <tr> <td>RCM</td> <td>1989/07/26</td> </tr> <tr> <td>CHECKED BY</td> <td>DATE</td> <td rowspan="2"> MOLEX MOLEX INCORPORATED FLAG QUICK DISCONNECT, FULLY INSULATED, .250 X .032 TAB SIZE </td> </tr> <tr> <td>JM</td> <td>1989/07/26</td> </tr> <tr> <td>APPROVED BY</td> <td>DATE</td> <td></td> </tr> <tr> <td>FP</td> <td>1989/07/26</td> <td></td> </tr> </table>	DRAWN BY	DATE	TITLE	RCM	1989/07/26	CHECKED BY	DATE	MOLEX MOLEX INCORPORATED FLAG QUICK DISCONNECT, FULLY INSULATED, .250 X .032 TAB SIZE	JM	1989/07/26	APPROVED BY	DATE		FP	1989/07/26		MATERIAL NO. SEE CHART	DOCUMENT NO. SD-19007-004	SHEET NO. 1 OF 1	
DRAWN BY	DATE	TITLE																			
RCM	1989/07/26																				
CHECKED BY	DATE	MOLEX MOLEX INCORPORATED FLAG QUICK DISCONNECT, FULLY INSULATED, .250 X .032 TAB SIZE																			
JM	1989/07/26																				
APPROVED BY	DATE																				
FP	1989/07/26																				
SIZE B	THIS DRAWING CONTAINS INFORMATION THAT IS PROPRIETARY TO MOLEX INCORPORATED AND SHOULD NOT BE USED WITHOUT WRITTEN PERMISSION																				