

Switch Language

English

Need Assistance?

Contact Us  
Find a Distributor  
Order Samples  
Tech Library

Printer-friendly page

Email this page

[Home](#)   [Quick Disconnects](#)   [Datasheet](#)

**Part Number:** 0190020044

**Status:** Active

**Description:** Avikrimp™ Quick Disconnect, Female, for 10-12 (5.00-3.30) Wire, Box, Tab 6.35mm (.250") x 0.81mm (.032")

**Documents:**

*Note - Please disable browser pop-up blockers for documents on www.molex.com*

[Drawing \(PDF\)](#)

[Related Catalog Page \(PDF\)](#)

**Order Products:**

[Check Distributor Inventory](#)

[Add to My Parts](#)

[Request Samples](#)

**Part Detail:** [\(show all\)](#)

General    Physical    Electrical    Material Info

**General**

Product Family	Quick Disconnects
Series	<a href="#">19002</a>
Product Name	Avikrimp™
Type	Quick Disconnect

**Physical**

Barrel Type	Closed
Flammability	94V-2
Gender	Female
Insulation	Nylon (PA)
Lock to Mating Part	None
Material - Metal	Brass
Orientation	Straight
Packaging Type	Bag
Polarized to Mating Part	No
Tab Thickness	0.81mm (.032")
Tab Width	6.35mm (.250")
Temperature Range - Operating	-65°C to +105°C
Wire Insulation Diameter	6.22mm (.245") max.
Wire Size AWG	10
Wire Size AWG	12
Wire Size mm²	3.30 - 5.00

**Electrical**

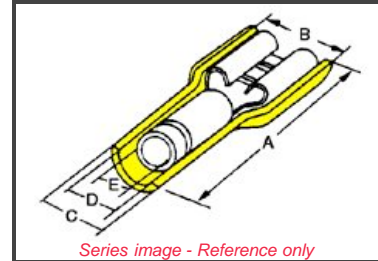
CSA	LR18689
UL	E79133
Voltage - Maximum	300V

**Material Info**

Old Part Number	C-5265
-----------------	--------

**Reference - Drawing Numbers**

Sales Drawing	SD-19002-005
---------------	--------------



Series image - Reference only

**EU RoHS**

**ELV and RoHS Compliant**

**China RoHS**



**Need more information on product compliance?**

Email [productcompliance@molex.com](mailto:productcompliance@molex.com)

Please visit the [Contact Us](#) section for any non-product compliance questions.

**Search Parts in this Series**

[19002 Series](#)

**Use With**

[19001-0010](#), [19001-0011](#)

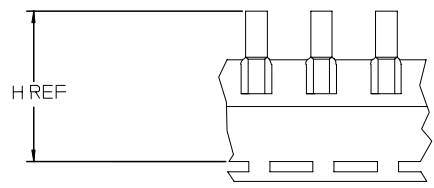
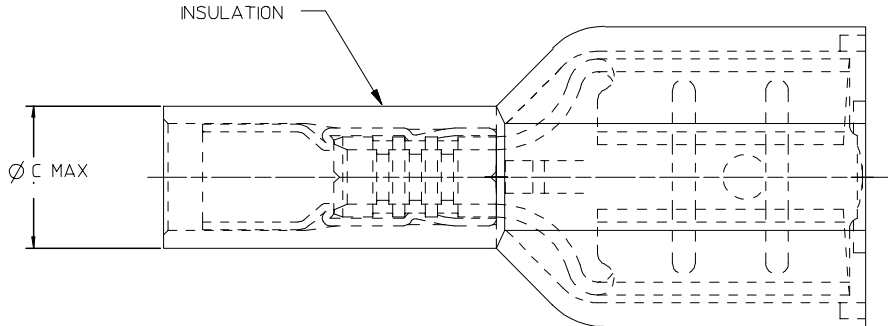
**Application Tooling**

*Tooling specifications and manuals are found by selecting the products below. Crimp Height Specifications are then contained in the Application Tooling Specification document.*

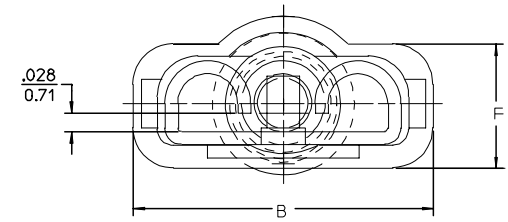
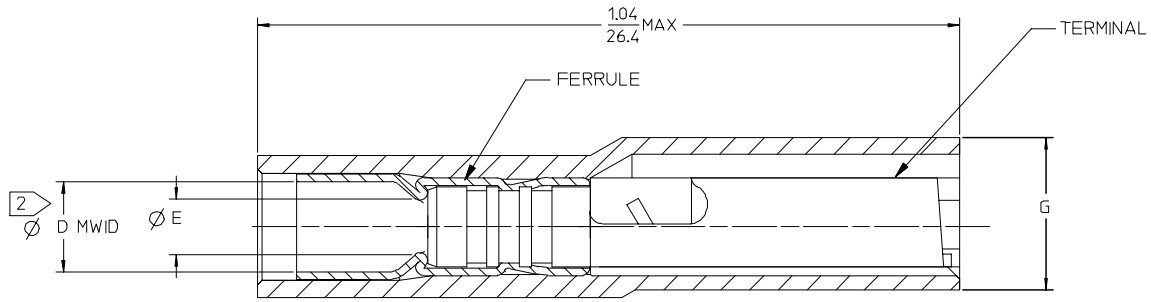
**Global**

Description	Product #
Hand Crimp Tool	<a href="#">0640010200</a>
Hand Crimp Tool	<a href="#">0640013000</a>
Crimp Head for the AT-200™ Pneumatic Hand Tool	<a href="#">0640050200</a>
Crimp Head for the AT-200™ Pneumatic Hand Tool	<a href="#">0640053000</a>

13	12	11	10	9	8	7	6	5	4	3	2	1
MATERIAL NUMBER LOOSE PCS	ENGINEERING NUMBER LOOSE PCS	MATERIAL NUMBER ON STRIP	ENGINEERING NUMBER ON STRIP	MATERIAL NUMBER ON TAPE	ENGINEERING NUMBER ON TAPE	"C" MAX	"D" MWD	"E" MIN	"F" REF	"H" REF		
190020044	C-5265	190020046	C-5265Z	190020045	C-5265T	.31/7.9	.245/6.22	.144/3.66	.19/4.8	1.561/39.65		
196060005	19606-0005	196060004	19606-0004	196060006	19606-0006	.30/7.6	.230/5.84	.120/3.05	.15/3.8	1.513/38.43		



PARTS ON TAPE



SALES DRAWING

NOTES:

- MATERIAL: TERMINAL BRASS .018/0.46 THK REF.  
TERMINAL PLATING: ELECTRO TIN  
FERRULE: BRASS  
FERRULE PLATING: ELECTRO TIN  
INSULATION: NYLON 94V2 COLOR YELLOW.
- MWD = MAXIMUM WIRE INSULATION DIAMETER
- PART IS RoHS COMPLIANT

<b>ADD NOTE 3</b> EC NO: ETC2007-0243 DRAWN: JLOMASTRO 2006/12/14 CHKD: JMAGNELL 2006/12/15 APPR: JMAGNELL 2006/12/15 REVISIONS DESCRIPTION	QUALITY SYMBOLS	GENERAL TOLERANCES (UNLESS SPECIFIED)	DIMENSION STYLE	SCALE	DESIGN UNITS	THIRD ANGLE PROJECTION															
	$\nabla=0$ $\nabla=0$	<table border="1"> <tr> <th></th> <th>mm</th> <th>INCH</th> </tr> <tr> <td>4 PLACES</td> <td>± .005</td> <td>± .0005</td> </tr> <tr> <td>3 PLACES</td> <td>± .005</td> <td>± .0005</td> </tr> <tr> <td>2 PLACES</td> <td>± 0.13</td> <td>± .01</td> </tr> <tr> <td>1 PLACE</td> <td>± 0.25</td> <td>± .01</td> </tr> </table>		mm	INCH	4 PLACES	± .005	± .0005	3 PLACES	± .005	± .0005	2 PLACES	± 0.13	± .01	1 PLACE	± 0.25	± .01	IN/MM	4:1	INCH	
		mm	INCH																		
	4 PLACES	± .005	± .0005																		
3 PLACES	± .005	± .0005																			
2 PLACES	± 0.13	± .01																			
1 PLACE	± 0.25	± .01																			
	<table border="1"> <tr> <th>mm</th> <th>INCH</th> </tr> <tr> <td>4 PLACES</td> <td>± .005</td> </tr> <tr> <td>3 PLACES</td> <td>± .0005</td> </tr> <tr> <td>2 PLACES</td> <td>± 0.13</td> </tr> <tr> <td>1 PLACE</td> <td>± 0.25</td> </tr> </table>	mm	INCH	4 PLACES	± .005	3 PLACES	± .0005	2 PLACES	± 0.13	1 PLACE	± 0.25	DRAWN BY: BENDERLE CHECKED BY: R DEROSS APPROVED BY: R DEROSS DATE: 2005/04/15 DATE: 2005/04/15 DATE: 2005/04/15	TITLE: AVIKRIMP FEMALE FIQD 12-10 AWG MATERIAL NO.: SEE CHART DOCUMENT NO.: SD-19002-005 SHEET NO.: 1 OF 1								
mm	INCH																				
4 PLACES	± .005																				
3 PLACES	± .0005																				
2 PLACES	± 0.13																				
1 PLACE	± 0.25																				
	DRAFT WHERE APPLICABLE MUST REMAIN WITHIN DIMENSIONS	THIS DRAWING CONTAINS INFORMATION THAT IS PROPRIETARY TO MOLEX INCORPORATED AND SHOULD NOT BE USED WITHOUT WRITTEN PERMISSION																			