

**FEATURES AND SPECIFICATIONS**

**Features and Benefits**

- Positive lock
- Fully isolated terminals
- Polarized housing assures proper mating
- Male and female terminals may be used in plug housing

**Reference Information**

Packaging: Bag  
 UL File No.: E29179  
 CSA File No.: LR19980  
 TUV License No.: R75107  
 Mates With: [3191](#) receptacle  
 Use With: Standard .093" terminal  
 Designed In: Inches

**Electrical**

Voltage: 600V  
 Current: 12.0A max.\*  
 Dielectric Withstanding Voltage: 5000V AC rms

**Mechanical**

Contact Retention to Housing: 20 lb min.

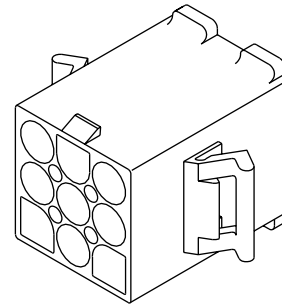
**Physical**

Housing: Nylon, UL 94V-0 or 94V-2  
 Operating Temperature: -40 to +105°C

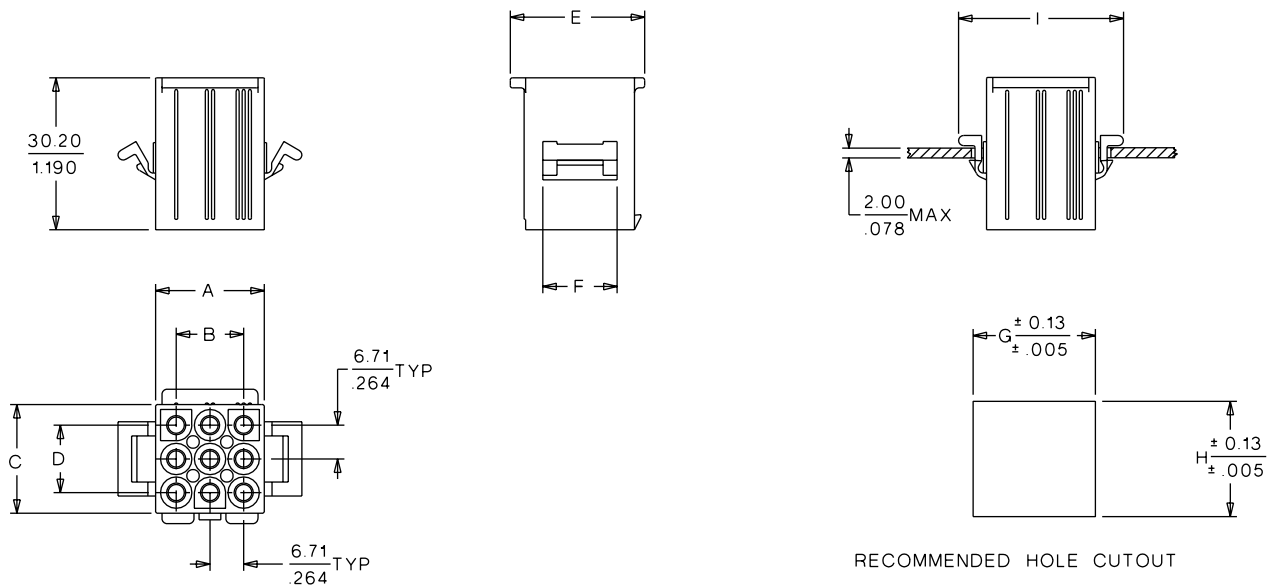
\* Depending on circuit size and wire gauge; please refer to product specifications

**molex® 6.71 mm (.264") Pitch  
 .093" Pin and Socket  
 Plug**

**3191**



**CATALOG DRAWING (FOR REFERENCE ONLY)**



**ORDERING INFORMATION AND DIMENSIONS**

Circuits	Order No.				Amperes Per Circuit	Dimension							
	Panel Mount		Free Hanging			A	B	C	D	E	F	G	H
	94V-2	94V-0	94V-2	94V-0									
1	• 19-09-2018	• 19-09-2017	• 19-09-2019	• 19-09-2016	12	8.10 (.320)				11.15 (.439)	6.35 (.250)	12.30 (.484)	10.00 (.394)
2	• 19-09-2028	• 19-09-2027	• 19-09-2029	• 19-09-2026	12	14.90 (.590)	6.71 (.264)	8.10 (.320)		13.30 (.520)	8.20 (.320)	20.32 (.800)	9.27 (.365)
3	• 19-09-2038	• 19-09-2037	• 19-09-2039	• 19-09-2036	11	21.59 (.850)	13.42 (.528)	8.20 (.320)		13.30 (.520)	8.20 (.320)	25.90 (1.020)	10.00 (.394)
4	• 19-09-2048	• 19-09-2047	• 19-09-2049	• 19-09-2046	9	28.30 (1.110)	20.13 (.792)	8.20 (.320)		13.30 (.520)	8.20 (.320)	32.26 (1.270)	10.00 (.394)
6	• 19-09-2068	• 19-09-2067	• 19-09-2069	• 19-09-2066	9	21.60 (.850)	13.42 (.528)	14.90 (.590)	6.71 (.264)	19.96 (.790)	14.70 (.580)	26.60 (1.047)	17.30 (.681)
9	• 19-09-2098	• 19-09-2097	• 19-09-2099	• 19-09-2096	9	21.60 (.850)	13.42 (.528)	21.60 (.850)	13.42 (.528)	26.70 (1.050)	14.70 (.580)	26.62 (1.048)	23.09 (.909)
12	• 19-09-2128	• 19-09-2127	• 19-09-2129	• 19-09-2126	9	28.20 (1.110)	20.13 (.792)	22.10 (.870)	13.42 (.528)	26.70 (1.050)	14.70 (.580)	33.02 (1.300)	23.10 (.910)
15	• 19-09-2158	• 19-09-2157	• 19-09-2159	• 19-09-2156	9	35.10 (1.380)	26.84 (1.056)	22.10 (.870)	13.42 (.528)	26.70 (1.050)	14.70 (.580)	39.42 (1.552)	23.11 (.910)

• US Standard Product, available through Molex franchised distributors