

FEATURES AND SPECIFICATIONS

Features and Benefits

- Positive lock
- Fully isolated terminals
- Polarized housing assures proper mating
- Male and female terminals may be used in receptacle housing

Reference Information

Packaging: Bag
 UL File No.: E29179
 CSA File No.: LR19980
 TUV License No.: R75107
 Mates With: [5219](#) header and [3191](#) plug
 Use With: Standard .093" terminal
 Designed In: Inches

Electrical

Voltage: 600V
 Current: 12.0A max.*
 Dielectric Withstanding Voltage: 5000V AC rms

Mechanical

Contact Retention to Housing: 20 lb min.

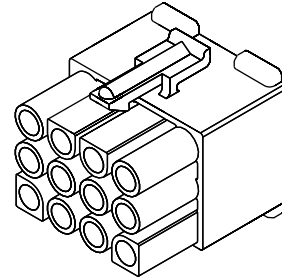
Physical

Housing: Nylon, UL 94V-0 or 94V-2
 Operating Temperature: -40 to +105°C

* Depending on circuit size and wire gauge; please refer to product specifications

molex® 6.71 mm (.264") Pitch .093" Pin and Socket Receptacle

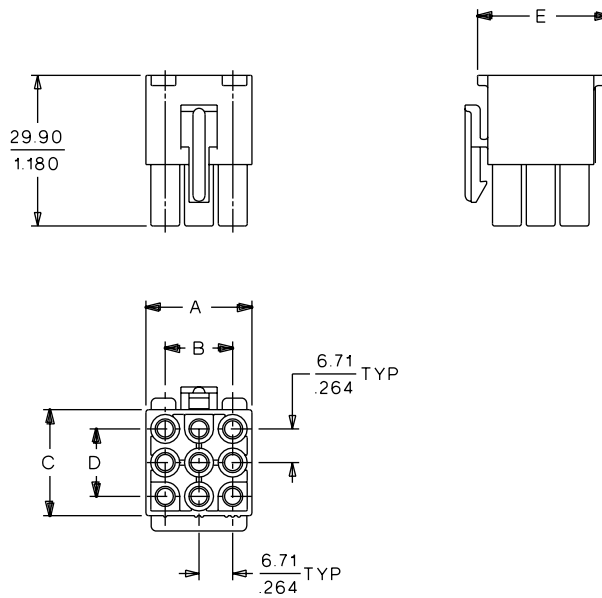
3191



Power Connectors

F

CATALOG DRAWING (FOR REFERENCE ONLY)



ORDERING INFORMATION AND DIMENSIONS

Circuits	Order No.		Amperes per Circuit	Dimension				
	94V-2	94V-0		A	B	C	D	E
1	• 19-09-1019	• 19-09-1016	12	7.60 (.300)		7.60 (.300)		10.62 (.418)
2	• 19-09-1029	• 19-09-1026	12	14.30 (.560)	6.71 (.264)	7.60 (.300)		12.70 (.500)
3	• 19-09-1039	• 19-09-1036	11	21.00 (.830)	13.42 (.528)	7.60 (.300)		12.70 (.500)
4	• 19-09-1049	• 19-09-1046	9	27.70 (1.090)	20.13 (.792)	7.60 (.300)		12.70 (.500)
6	• 19-09-1069	• 19-09-1066	9	21.00 (.830)	13.42 (.528)	14.30 (.560)	6.71 (.264)	19.38 (.763)
9	• 19-09-1099	• 19-09-1096	9	21.00 (.830)	13.42 (.528)	21.00 (.830)	13.42 (.528)	26.20 (1.030)
12	• 19-09-1129	• 19-09-1126	9	27.70 (1.090)	20.13 (.792)	21.00 (.830)	13.42 (.528)	26.20 (1.030)
15	• 19-09-1159	• 19-09-1156	9	34.40 (1.350)	26.84 (1.056)	21.00 (.830)	13.42 (.528)	26.20 (1.030)

• US Standard Product, available through Molex franchised distributors