

Datasheet  
Modular Plugs and Jacks [Overview](#)

[ [Home](#) > [Products](#) > [Jacks](#) > [Datasheet](#) ]

# 15-43-8566

Modular Jack, Right Angle, 6/6

[View all parts in series 41687](#)
[3D Dimensions](#)
[E-mail this page](#)
[Samples](#)
[Buy](#)

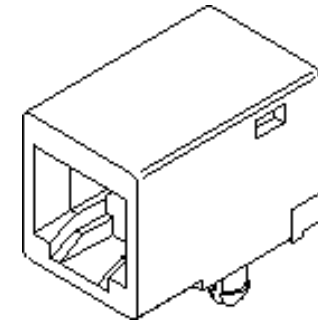
Status	Active
Access Level	Internet
Component	PCB Jack
Ports	1
Positions / Loaded Contacts	6/6
Orientation	Right Angle (Side Entry)
Inverted / Top Latch	No
Product Name	RJ11
Performance Category	3
Shielded	No
Lightpipes/LEDs	None

**MOUNTING**

Profile	Standard
Panel Stops	No
PCB Mounting	Through Hole
Surface Mount Compatible (SMC)	No
PCB Retention	Snap-in Plastic Peg
PCB Thickness	1.6mm (.062")

**PHYSICAL**

Contact	Phosphor Bronze (CuSn)
Plating Contact	1.3µm (50µ") Gold (Au)
Plating Tail	2.5µm (100µ") Tin (Sn)
Under Plating	Nickel (Ni)
Packaging	Tray
Housing Material	Polyester, Glass-filled
Color	Black



**This part is  
ELV and RoHS  
COMPLIANT**

ENVIRONMENT	
RoHS Compliant	Yes
Lead-free Process Capability Tested	No
Lead-free Process Capability	Wave Capable (TH only)

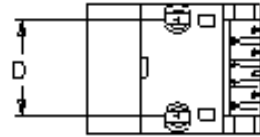
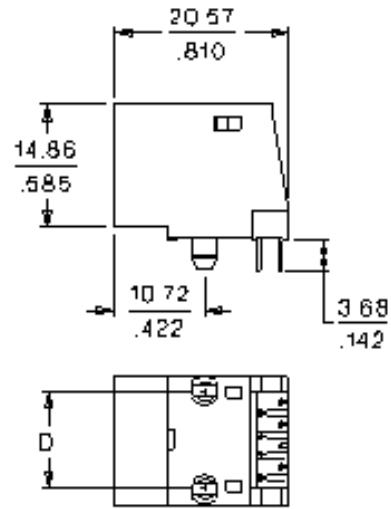
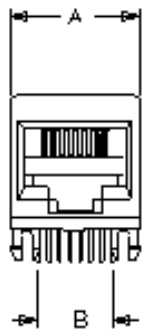
**Features and Benefits**

- Post plating covers bare edges and increases long-term reliability
- Keying available to ensure proper mating to designated connector
- 100% electrically tested for hi-pot and continuity
- Covered contacts meet British Telecom 4000V test
- 1.27µm (50µ") Gold plating meets FCC 68 requirements

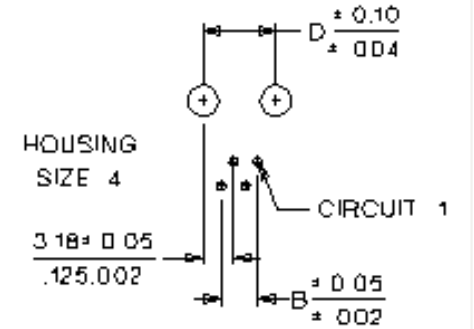
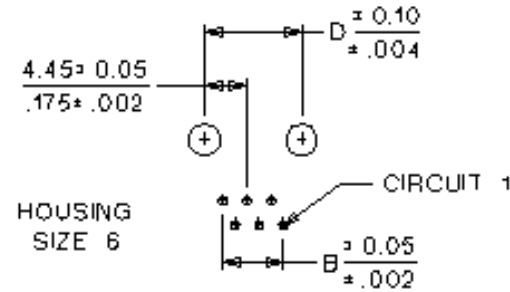
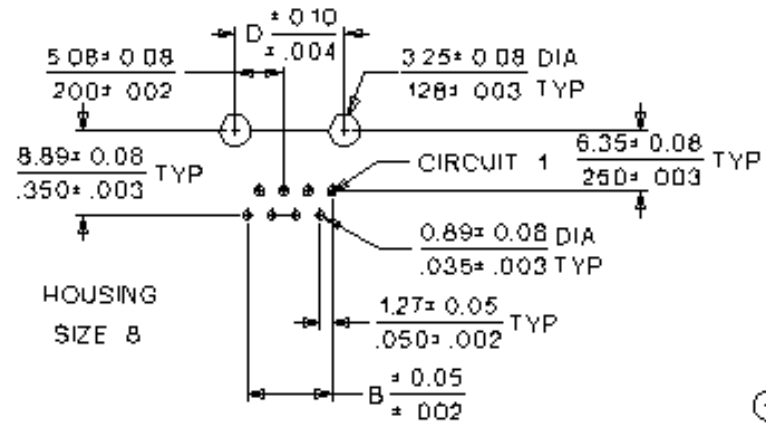
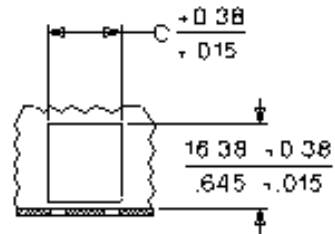
Flammability	UL 94V-0
Comment	Flangeless
Durability [mating cycles] min.	500 cycles
<b>ELECTRICAL</b>	
Current-max [amps]	1.5A
Voltage-max [volts]	125V
Withstanding Voltage	1000V AC
Contact Resistance [ohms]	10 milliohms max.
Insulation Resistance [ohms]	500 Megohms min.
<b>REFERENCE</b>	
UL File Number	E107635
CSA File Number	LR19980
Mates With	FCC 68 Plugs
Temperature Range	-40°C to +80°C
MX01 Catalog Page	O-34
990 Catalog Page	O-25
Product Specification	PS-41314
Old Part Number	A-41687-66ABAA
Overview	Right Angle Modular Jacks[-8603]
Circuits / Positions	6
Loaded Contacts	6
Universal Service Order Code	RJ12, RJ18, RJ25
Pitch / Center Spacing	1.27mm (.050")
Rows (No Display)	2
Molex Series	41687
Product Management	Hirsch, Marty
Lab Office	UCP
Customer Approved	Lucent Technologies Inc, Motorola, Siemens

**DIMENSIONS**

Mounted Height	14.86mm (.585")
Mounted Width	20.57mm (.810")
Designed In	Inches
Dimension A	13.21mm (.520")
Dimension B	6.35mm (.250")
Dimension C	13.59mm (.535")
Dimension D	10.16mm (.400")
First Contact to End	3.17mm (.125")



PANEL  
OPENING



PCB LAYOUT: COMPONENT SIDE  
RECOMMENDED PCB 1.57  
THICKNESS .062