

Datasheet
Modular Plugs and Jacks [Overview](#)

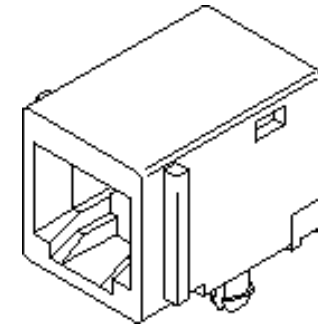
[[Home](#) > [Products](#) > [Jacks](#) > [Datasheet](#)]

15-43-7544

Modular Jack, Right Angle, 4/4, Panel Stops

[View all parts in series #1369](#)
[3D Dimensions](#)
[E-mail this page](#)
[Samples](#)
[Buy](#)

| | |
|--------------------------------|--------------------------|
| Status | Active |
| Component | PCB Jack |
| Ports | 1 |
| Positions / Loaded Contacts | 4/4 |
| Orientation | Right Angle (Side Entry) |
| Inverted / Top Latch | No |
| Performance Category | 3 |
| Shielded | No |
| Lightpipes/LEDs | None |
| MOUNTING | |
| Profile | Standard |
| Panel Stops | Yes |
| PCB Mounting | Through Hole |
| Surface Mount Compatible (SMC) | No |
| PCB Retention | Snap-in Plastic Peg |
| PCB Thickness | 1.6mm (.062") |
| PHYSICAL | |
| Contact | Phosphor Bronze (CuSn) |
| Plating Contact | 1.3µm (50µ") Gold (Au) |
| Plating Tail | 2.5µm (100µ") Tin (Sn) |
| Under Plating | Nickel (Ni) |
| Packaging | Tray |
| Housing Material | Polyester, Glass-filled |
| Color | Black |
| Flammability | UL 94V-0 |
| Comment | Flush Mount |



**This part is
ELV and RoHS
COMPLIANT**

| | |
|------------------------------|------------------------|
| ENVIRONMENT | |
| RoHS Compliant | Yes |
| Lead-free Process Capability | Wave Capable (TH only) |

Features and Benefits

- Post plating covers bare edges and increases long-term reliability
- Keying available to ensure proper mating to designated connector
- 100% electrically tested for hi-pot and continuity
- Covered contacts meet British Telecom 4000V test
- 1.27µm (50µ") Gold plating meets FCC 68 requirements

| | |
|---------------------------------|--|
| Durability [mating cycles] min. | 500 cycles |
| ELECTRICAL | |
| Current-max [amps] | 1.5A |
| Voltage-max [volts] | 125V |
| Withstanding Voltage | 1000V AC |
| Contact Resistance [ohms] | 10 milliohms max. |
| Insulation Resistance [ohms] | 500 Megohms min. |
| REFERENCE | |
| UL File Number | E107635 |
| CSA File Number | LR19980 |
| Mates With | FCC 68 Plugs |
| Temperature Range | -40°C to +80°C |
| MX01 Catalog Page | O-32 |
| 990 Catalog Page | O-23 |
| Product Specification | PS-41314 |
| Old Part Number | A-41369-44ABAA |
| Overview | Right Angle Modular Jacks[-8603] |
| Circuits / Positions | 4 |
| Loaded Contacts | 4 |
| Universal Service Order Code | RJ11C, RJ11W, RJ12, RJ14, RJ16, RJ18, RJ25, RJ45, RJ48 |
| Pitch / Center Spacing | 1.27mm (.050") |
| Rows (No Display) | 2 |
| Molex Series | 41369 |

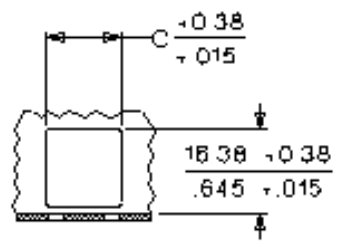
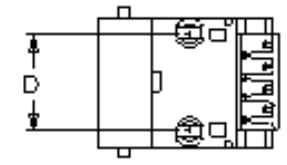
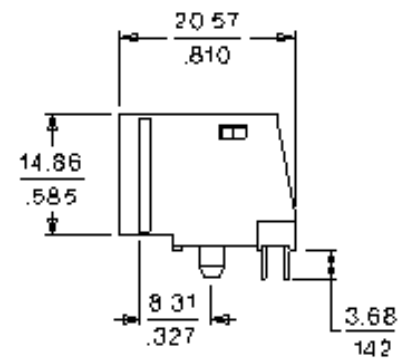
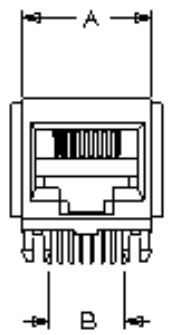
2D DRAWING - For reference only. See [technical Drawing \(PDF\)](#) for design-in purposes.

DIMENSIONS

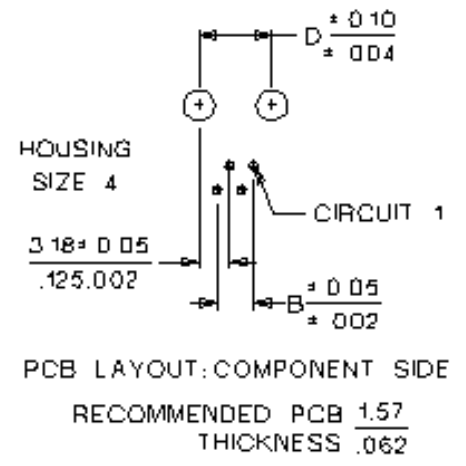
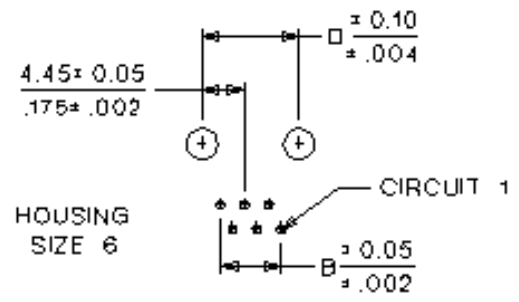
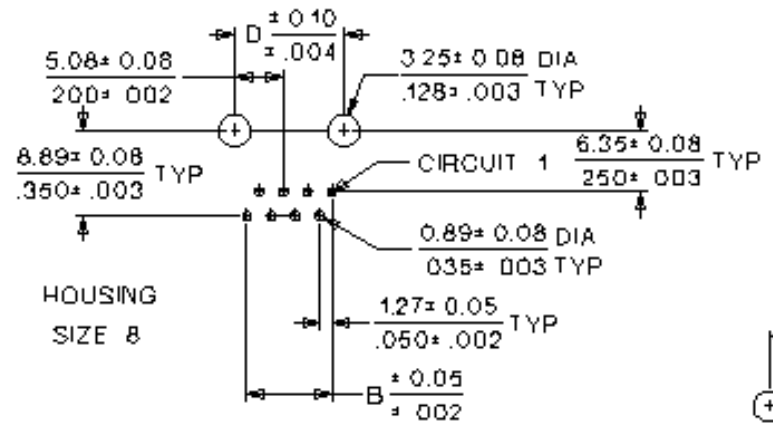
| | |
|----------------|--------------------|
| Mounted Height | 14.86mm (.585") |
| Mounted Width | 20.57mm (.810") |
| Designed In | Inches |
| Dimension A | 11.18mm (.440") |
| Dimension B | 3.81mm (.150") |
| Dimension C | 11.56mm (.455") |

Dimension D
7.62mm
(.300")

First
Contact to
End
3.17mm
(.125")



PANEL
OPENING



RECOMMENDED PCB 1.57
THICKNESS .062