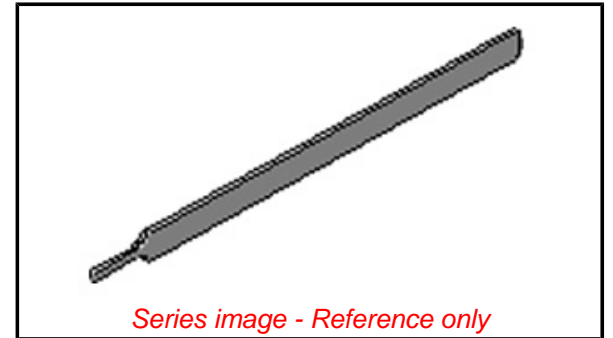


Part Number: [0011030003](#)
Status: **Active**
Description: Extraction Tool



General

Product Family	Application Tooling
Series	<u>T0201</u>
Function	Extraction
Geographic Area	Global
Level of Automation	Manual

Product Name	N/A
--------------	-----

Tool Type	Handtool
-----------	----------

Material Info

Old Part Number	HT1884
-----------------	--------

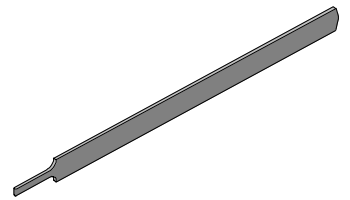
EU RoHS

**RoHS Compliance
Not Required**

China RoHS



Extractor Tool Instruction Sheet Order No. 11-03-0003 (HT1884)



This tool is used for the removal of KK[®] .156" Edge Card Terminal Series terminals in all housings.

OPERATION:

1. Push the terminal forward in the arrow direction before using the Extractor Tool as shown in Figure 1. Insert the Extractor Tool into the slot on the bottom or top of the connector housing.
2. Depress the terminal locking tabs, push the terminal back through the Connector slot and pull the terminated wire out in the arrow direction as shown in Figure 2.
3. Molex does not offer repair parts for Extraction Tools due to the inexpensive nature of the tool.

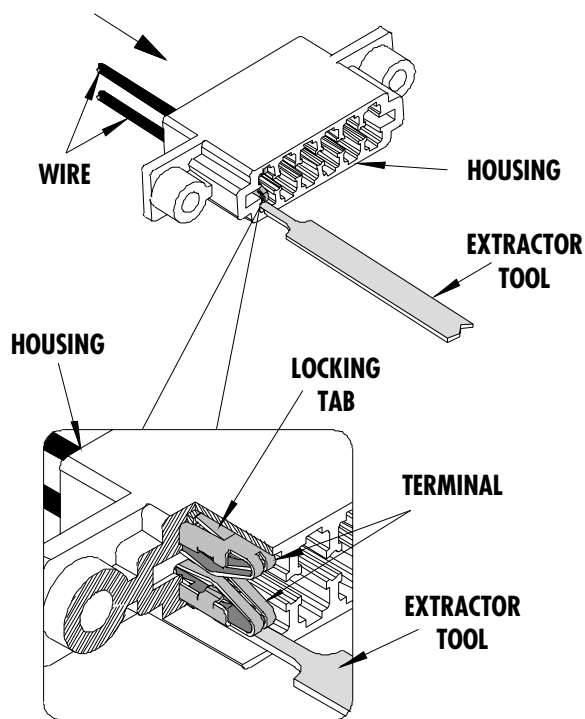


Figure 1

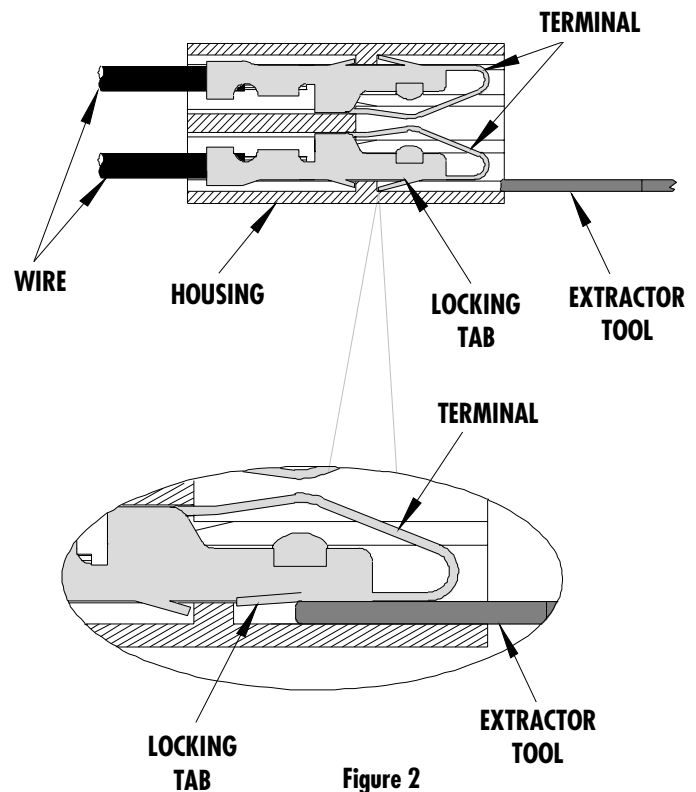


Figure 2