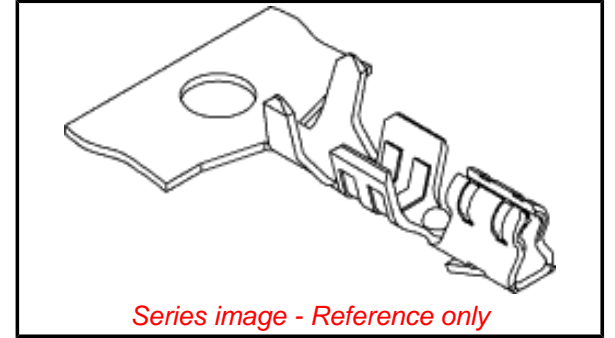


Part Number: [0008701040](#)
Status: **Active**
Overview: SPOX™ BMI
Description: 2.50mm (.098") Pitch SPOX™ Crimp Terminal 5263, 22-28 AWG, Bag



General

Product Family	Crimp Terminals
Series	<u>5263</u>
Overview	<u>SPOX™ BMI</u>
Product Name	SPOX™

Physical

Gender	Female
Material - Metal	Phosphor Bronze
Material - Plating Mating	Tin
Material - Plating Termination	Tin
Packaging Type	Bag
Plating min: Mating (µin)	36
Plating min: Mating (µm)	0.90
Plating min: Termination (µin)	36
Plating min: Termination (µm)	0.90
Termination Interface: Style	Crimp or Compression
Wire Insulation Diameter	1.90mm (.075") max.
Wire Size AWG	22
Wire Size AWG	24
Wire Size AWG	26
Wire Size AWG	28
Wire Size mm²	N/A

Material Info

Old Part Number	5263PBTL
-----------------	----------

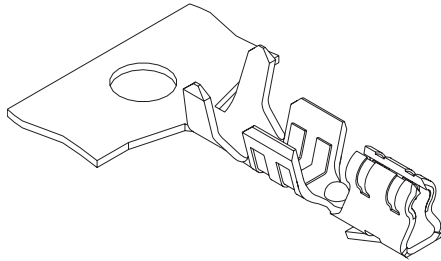
EU RoHS
ELV and RoHS
Compliant

China RoHS



2.50mm (.098") Pitch Mini-SPOX™ Wire-to-Board Crimp Terminal

5263
Spring Box



Features and Benefits

- Very low profile
- Anti-fishhooking design
- Box protects pin contact area from contamination during handling

Reference Information

Packaging: Bag or reel
Tooling Information: See end of section
Use With: 5264 housings
Designed In: Millimeters

Electrical

Voltage: 250V
Current:

AWG	22	24	26	28
	3.0A	2.5A	2.0A	1.5A

Contact Resistance: 20 milliohms max.
Dielectric Withstanding Voltage: 1000V AC/1 min.
Insulation Resistance: 1000 Megohms min.

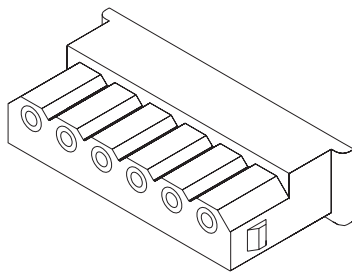
Physical

Contact: Phosphor Bronze
Plating: Tin
Operating Temperature: -40 to +105°C

Order No.	Terminal	Engineering No.	Wire Range AWG	Insulation Diameter	Lead-free
08-70-1039	Reel	5263PBT	22-28	1.90 (.075) max.	Yes
08-70-1040	Bag	5263PBTL			

2.50mm (.098") Pitch Mini-SPOX™ Wire-to-Board Crimp Terminal Housing

5264-N
Shrouded



Features and Benefits

- Sizes 2 to 15 circuits
- Very low profile
- Molded-in pull tabs
- Friction lock

Reference Information

Packaging: Bag
UL File No.: E29179
CSA File No.: LR19980
Mates With: 5267-NA-X and 5268-NA
Use With: 5263 terminals
Designed In: Millimeters

Electrical

Voltage: 250V
Current:

AWG	22	24	26	28
	3.0A	2.5A	2.0A	1.5A

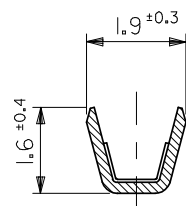
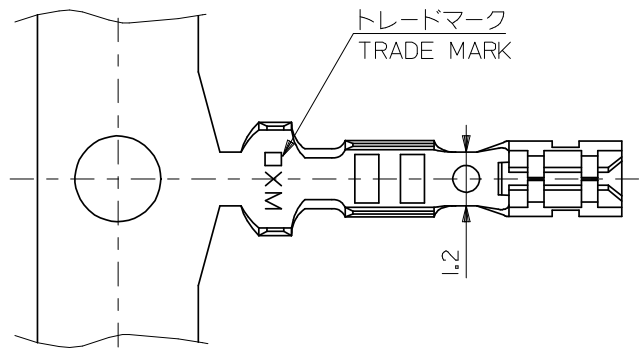
Contact Resistance: 20 milliohms max.
Dielectric Withstanding Voltage: 1000V AC/1 min.
Insulation Resistance: 1000 Megohms min.

Physical

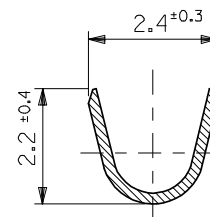
Housing: 6/6 nylon, UL 94V-0
Operating Temperature: -40 to +105°C

Circuits	Order No.
2	50-37-5023
3	50-37-5033
4	50-37-5043
5	50-37-5053
6	50-37-5063
7	50-37-5073
8	50-37-5083

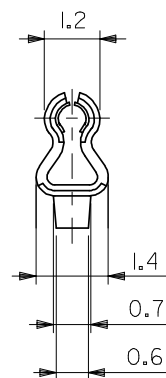
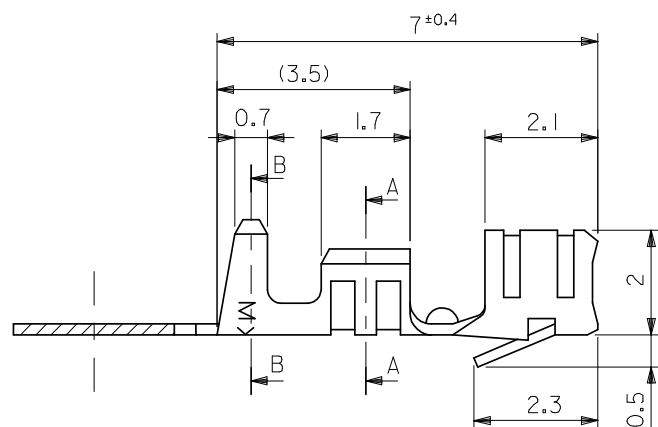
Circuits	Order No.
9	50-37-5093
10	50-37-5103
11	50-37-5113
12	50-37-5123
13	50-37-5133
14	50-37-5143
15	50-37-5153



断面 A-A
SECT. A-A



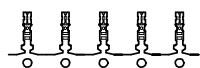
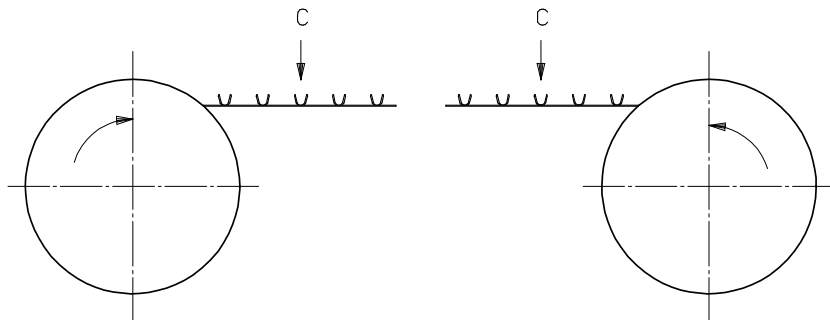
断面 B-B
SECT. B-B



注記
NOTE

- 材質：リン青銅 (t=0.203)
MATERIAL : PHOSPHOR BRONZE
- メッキ：前錫メッキ
FINISH : PRE TINNED
- 使用ハウジング：5264 シリーズ
SUITABLE HOUSING : 5264 SERIES
- 適用電線範囲：AWG#22~28 (0.33 ~ 0.08mm²)
WIRE RANGE : AWG #22-28(0.33 - 0.08mm²)
- 被覆外形：φ1.15 ~ φ1.9
INSULATION RANGE : φ 1.15 - φ1.9

RIGHT HAND	39-00-0159	5263PBTR	連鎖状 CHAIN
LEFT HAND	08-70-1040	5263PBTL	バラ状 LOOSE
	08-70-1039	5263PBT	連鎖状 CHAIN
FEED TYPE	EDP NO.	ENG. NO.	端子形状 FORM



VIEW C

REVISED EC NO: J2008-4450 DRAWN: NABEI 2008/07/01 CHKD: KTOYODA 2008/07/02 APPR: NUKITA 2008/07/02	GENERAL TOLERANCES (UNLESS SPECIFIED)		DIMENSION STYLE MM ONLY	SCALE 10:1	DESIGN UNITS METRIC	MODEL NO.
	10 UNDER	±0.2	DRAWN BY K. TOJO	DATE '91/07/19	THIRD ANGLE PROJECTION	
	10 OVER 30 UNDER	±0.25	CHECKED BY M. FUKUSHIMA	DATE '91/08/09	2.5 LOW PROFILE CRIMP RECEPTACLE	
	30 OVER	±0.3	APPROVED BY M. ENOMOTO	DATE '91/08/09	MOLEX INCORPORATED	
	ANGULAR ±3 °	DRAFT WHERE APPLICABLE MUST REMAIN WITHIN DIMENSIONS	MATERIAL NO. SEE TABLE	DOCUMENT NO. SD-5263-003	SHEET NO. 1 OF 1	
			SIZE A3	THIS DRAWING CONTAINS INFORMATION THAT IS PROPRIETARY TO MOLEX INCORPORATED AND SHOULD NOT BE USED WITHOUT WRITTEN PERMISSION		