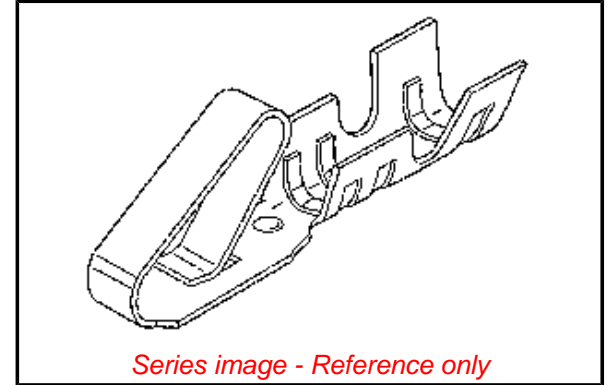


Part Number: [0008550102](#)
Status: **Active**
Overview: [KK®](#)
Description: [KK® Crimp Terminal, 22-30 AWG, Bag, Selective Gold \(Au\), Nickel \(Ni\) Under Plating](#)



General

Product Family	Crimp Terminals
Series	2759
Overview	KK®
Product Name	KK®

Physical

Gender	Female
Material - Metal	Brass
Material - Plating Mating	Gold
Material - Plating Termination	Nickel
Packaging Type	Bag
Plating min: Mating (µin)	15
Plating min: Mating (µm)	0.375
Plating min: Termination (µin)	30
Plating min: Termination (µm)	0.75
Termination Interface: Style	Crimp or Compression
Wire Insulation Diameter	1.57mm (.062") max.
Wire Size AWG	22
Wire Size AWG	24
Wire Size AWG	26
Wire Size AWG	28
Wire Size AWG	30
Wire Size mm²	N/A

Material Info

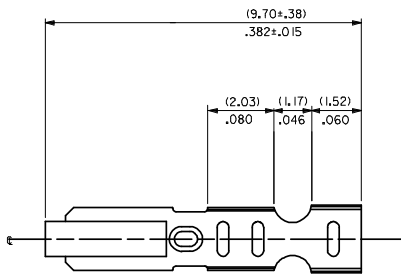
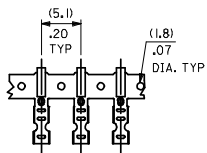
Old Part Number	2759-(555)L
-----------------	-------------

EU RoHS
ELV and RoHS
Compliant

China RoHS

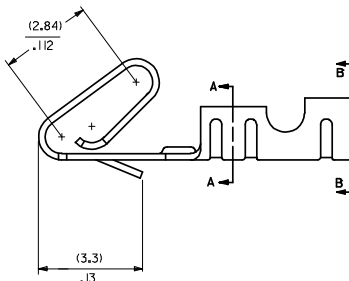
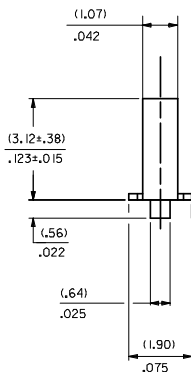
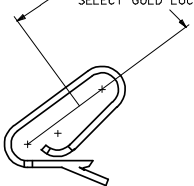


CARRIER VIEW

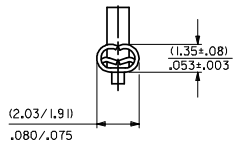


- NOTES
- MATERIAL
(0.203±0.010)/.0080±.0004 THICK BRASS
 - FINISH
102 - OVERALL TIN: (0.00508)/.000200 MIN. TIN OVER (0.00254)/.000100 MIN. COPPER
122 - OVERALL TIN: (0.00381)/.000150 MIN. TIN OVER (0.00076)/.000030 MIN. NICKEL
#P909 - OVERALL HOT TIN DIP (0.00254)/.000100 MIN.
550 - SELECT GOLD (0.00038)/.000015 MIN. OVERALL GOLD FLASH (0.00005)/.000002 MIN. OVERALL NICKEL UNDERPLATE: (0.00076)/.000030 MIN.
555- SELECT GOLD (0.00038)/.000015 MIN. OVERALL NICKEL UNDERPLATE: (0.00076)/.000030
558 - SELECT GOLD: (0.00076)/.000030 MIN. OVERALL GOLD FLASH (0.00005)/.000002 MIN. OVERALL NICKEL UNDERPLATE: (0.00127)/.000050 MIN.
*THE PRIMARY SHIPPING CARTON WILL BE LABELED "COMPLIANT TO RoHS DIRECTIVE 2002/95/EC AND ELV ANNEX II OF DIRECTIVE 2000/53/EC." CARTONS WITHOUT THIS LABEL MAY CONTAIN PRODUCT WITH TIN-LEAD PLATING.
 - PRODUCT SPEC: PS-10-07
 - PACKAGING SPECIFICATION: NONE
 - CRIMP IS FOR 22-30 GA WIRE WITH (1.57)/.062 DIA INSULATION MAX.
 - INSERTION FORCE OF TERMINAL INTO (2.54)/.100 CENTERLINE CONNECTOR IS 2.5 LBS. MAX
 - TERMINALS WILL RETAIN 8 LBS PULL FOR 1 MIN. IN A (2.54)/.100 CENTERLINE HOUSING.
 - DIMENSIONS GIVEN ACROSS CENTERLINES ARE SYMMETRICAL ABOUT THOSE CENTERLINES WITHIN HALF THE TOTAL TOLERANCE.
 - CODE LETTER PRECEDING PART NO. DESIGNATES MANUFACTURING LOCATION.
I=IRELAND
 - THIS PART CONFORMS TO CLASS B REQUIREMENTS OF COSMETIC SPECIFICATION PS-45499-002.

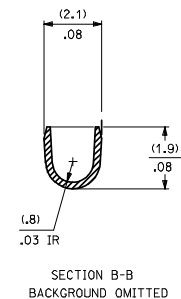
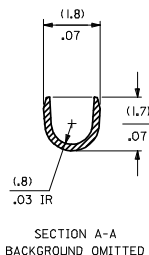
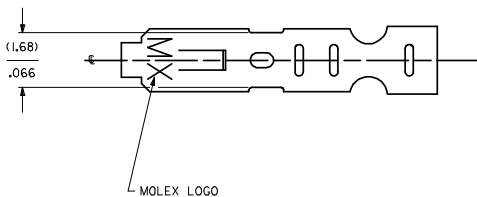
SELECT GOLD LOCATION



CRIMP DETAIL



CRIMPED TERMINAL 2759-IP90)LC IS USED WITHOUT WIRE AND IS INSERTED INTO HOUSING TO PROVIDE TENSION WHEN ASSEMBLED TO HEADERS DURING SHIPMENT.



- 2759-(***))
- FORM
 - L=LOOSE
 - C=LOOSE CRIMPED
 - A=CHAIN PER ES-339-A
 - B=CHAIN PER ES-339-B
- PLATING
- SEE NOTE 2

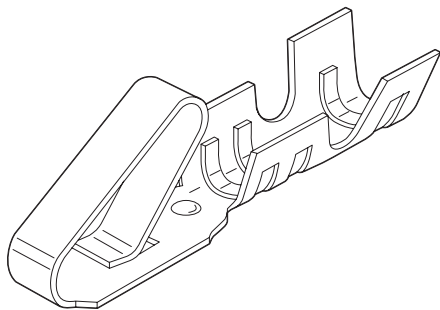
SH 1 2	REV AS3 AS4	UPDATE DIMS DEC NO: UCP/2008-2190 2008/03/17 DRM/NADERR 2008/03/18 CHKD: SCHMIDT 2008/03/18 APPR: F. SMITH 2008/03/24	QUALITY SYMBOLS =0 =0	GENERAL TOLERANCES (UNLESS SPECIFIED)		DIMENSION STYLE MM/IN		SCALE ---	DESIGN UNITS INCH	THIRD ANGLE PROJECTION
				mm	INCH	DRAWN BY SAMI EC	DATE 07/28/87	TITLE CRIMP TERMINAL 22-30 GA WIRE		
				4 PLACES ± ---	± ---			CHECKED BY PATEL	DATE 07/28/87	MOLEX INCORPORATED
				3 PLACES ± ---	± .010			APPROVED BY LENZ	DATE 07/28/87	
				2 PLACES ± 0.25	± .014			MATERIAL NO. SEE CHART	DOCUMENT NO. SD-2759	SHEET NO. 1 OF 2
				1 PLACE ± 0.36	± ---			THIS DRAWING CONTAINS INFORMATION THAT IS PROPRIETARY TO MOLEX INCORPORATED AND SHOULD NOT BE USED WITHOUT WRITTEN PERMISSION		
				ANGULAR ± 1/2°						
				DRAFT WHERE APPLICABLE MUST REMAIN WITHIN DIMENSIONS						

2759-***)*													
PART NO.	ENG. NO.	PART NO.	ENG. NO.	PART NO.	ENG. NO.	PART NO.	ENG. NO.	PART NO.	ENG. NO.	PART NO.	ENG. NO.	PART NO.	ENG. NO.
08-55-0101	2759-(555)B												
08-55-0102	2759-(555)L												
08-55-0126	2759-(555)A												
08-56-0109	2759-(550)B												
08-56-0110	2759-(550)L												
08-50-0113	2759-(P909)B												
08-50-0114	2759-(P909)L												
08-50-0124	2759-(P909)C												
08-51-0108	2759-(122)B												
	2759-(122)L												
I 08-50-0274	2759-(P909)B												
I 08-50-0275	2759-(P909)L												
I 08-50-0273	2759-(P909)A												
08-55-0130	2759-(558)B												
08-55-0131	2759-(558)L												
08-50-0160	2759-(102)L												
08-50-0159	2759-(102)												

REMOVE *999 PARTS EC NO: UCP2008-0722 DRAWN BY: 2007/08/02 CHKD: JRELL 2007/08/02 APPROV: SMITH 2007/08/03 AS4 REV DESCRIPTION	QUALITY SYMBOLS	GENERAL TOLERANCES (UNLESS SPECIFIED)	DIMENSION STYLE	SCALE	DESIGN UNITS	THIRD ANGLE PROJECTION										
	$\nabla=0$ $\nabla=0$	<table border="1"> <tr><th>mm</th><th>INCH</th></tr> <tr><td>4 PLACES ± --- ± ---</td><td></td></tr> <tr><td>3 PLACES ± --- ± ---</td><td></td></tr> <tr><td>2 PLACES ± --- ± ---</td><td></td></tr> <tr><td>1 PLACE ± --- ± ---</td><td></td></tr> </table>	mm	INCH	4 PLACES ± --- ± ---		3 PLACES ± --- ± ---		2 PLACES ± --- ± ---		1 PLACE ± --- ± ---		MM/IN	---	INCH	
	mm	INCH														
	4 PLACES ± --- ± ---															
3 PLACES ± --- ± ---																
2 PLACES ± --- ± ---																
1 PLACE ± --- ± ---																
	ANGULAR ±1/2°	DRAWN BY: SAMIEC DATE: 07/28/87 CHECKED BY: PATEL DATE: 07/28/87 APPROVED BY: LENZ DATE: 07/28/87	TITLE	CRIMP TERMINAL 22-30 GA WIRE												
	DRAFT WHERE APPLICABLE MUST REMAIN WITHIN DIMENSIONS	SEE CHART	MATERIAL NO.	DOCUMENT NO.	MOLEX INCORPORATED											
			SIZE D	THIS DRAWING CONTAINS INFORMATION THAT IS PROPRIETARY TO MOLEX INCORPORATED AND SHOULD NOT BE USED WITHOUT WRITTEN PERMISSION												

2.54mm (.100") Pitch KK[®] Crimp Terminal

2759/6459



Features and Benefits

- Standard cantilever terminal
- Cantilever design provides high contact pressure
- Wiping action cleans oxides when connector is mated
- 2759 Series is Brass
- 6459 Series is Phosphor Bronze

Reference Information

Product Specification: PS-10-07
Packaging: Reel or bag
Tooling Information: See crimp tooling section
UL File No.: E29179
CSA File No.: LR19980
Use With: 2695, 5051 and 6745 housings
Designed In: Inches

Electrical

Voltage: 250V
Current: 6459—4.0A
2759—2.5A
Contact Resistance: 20 milliohms max.
Dielectric Withstanding Voltage: 1500V
Insulation Resistance: 50K Megohms min.

Mechanical

Wire Pull-Out Force:

Wire Gauge (AWG)	22	24	26	28	30
Pull-Out Force (lb)	10	8	6	4	3

Mating Force: 255g max.
Unmating Force: 50g min.
Normal Force: 200g min.

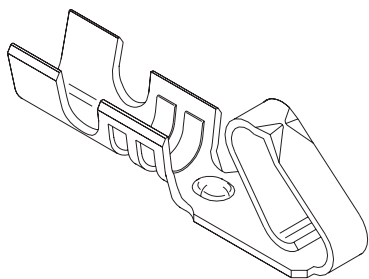
Physical

Contact: 6459—Phosphor Bronze; 2759—Brass
Plating: See Table
Wire Accommodation: 22 to 30 AWG
Insulation Range: 1.58mm (.062") diameter max.

Contact	Order No.						Wire Gauge (AWG)	Insulation OD	Lead-free
	Tin Plating		15µ" Gold Plating		15µ" Selective Gold Plating				
	Reel	Bag	Reel	Bag	Reel	Bag			
Brass	08-50-0113	08-50-0114	08-56-0109	08-56-0110	08-55-0101	08-55-0102	22-30	1.57 (.062)	Yes
Phosphor Bronze	08-52-0101	08-52-0123	08-65-0813	08-65-0814	08-65-0815	08-65-0816			

2.54mm (.100") Pitch KK[®] Cat Ear Terminal

5159



Features and Benefits

- Similar to 2759/6459 Series with cat ears
- Cat ears provide 2 high pressure points of contact
- Suitable for high vibrational requirements

Reference Information

Product Specification: PS-10-07
Packaging: Bag or reel
Tooling Information: See crimp tooling section
UL File No.: E29179
CSA File No.: LR19980
Use With: 2695, 5051 and 6471
Designed In: Inches

Electrical

Voltage: 250V
Current: 3.0A
Contact Resistance: 20 milliohms max.
Dielectric Withstanding Voltage: 1000V AC
Insulation Resistance: 1000 Megohms min.

Physical

Contact: Phosphor Bronze and Brass
Plating: Tin
Wire Accommodation: 22 to 30 AWG

Order No.				Lead-free
Phosphor Bronze		Brass		
Bag	Reel	Bag	Reel	
08-70-0049	08-70-0048	08-70-0069	08-70-0064	Yes

Preferred version in the Far East