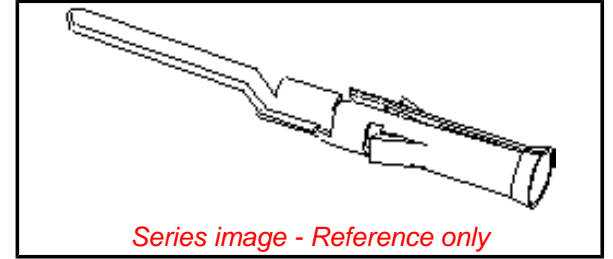


Part Number: [0002091134](#)
Status: **Active**
Overview: Standard .093"
Description: 2.36mm (.093") Diameter, Standard .093" Pin and Socket PC Tail Terminal, Series 1377, Female, with Tin (Sn) Plated Contact, Bag



EU RoHS
ELV and RoHS
Compliant

China RoHS



General

Product Family	Crimp Terminals
Series	1377
Comments	PC Tail For Standard .093" Housing
Overview	Standard .093"
Product Name	Standard .093"

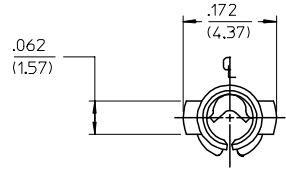
Physical

Durability (mating cycles) min	25 cycles
Gender	Female
Material - Metal	Brass
Material - Plating Mating	Tin
Material - Plating Termination	Tin
Packaging Type	Bag
Plating min: Mating (µin)	100
Plating min: Mating (µm)	2.50
Plating min: Termination (µin)	100
Plating min: Termination (µm)	2.50
Termination Interface: Style	Through Hole
Wire Insulation Diameter	N/A
Wire Size AWG	14
Wire Size AWG	16
Wire Size AWG	18
Wire Size AWG	20
Wire Size AWG	22
Wire Size AWG	24
Wire Size AWG	26
Wire Size AWG	28
Wire Size AWG	30
Wire Size mm ²	N/A

Material Info

Old Part Number	1377-AP909L
-----------------	-------------

PART NO.	ENG. NO.	SUFFIX WAS
02-09-1134	1377-A(P909)L	-ATL
02-09-5132	1377-A(P228)L	-GL
50-34-8511	1377-A(P154)L	



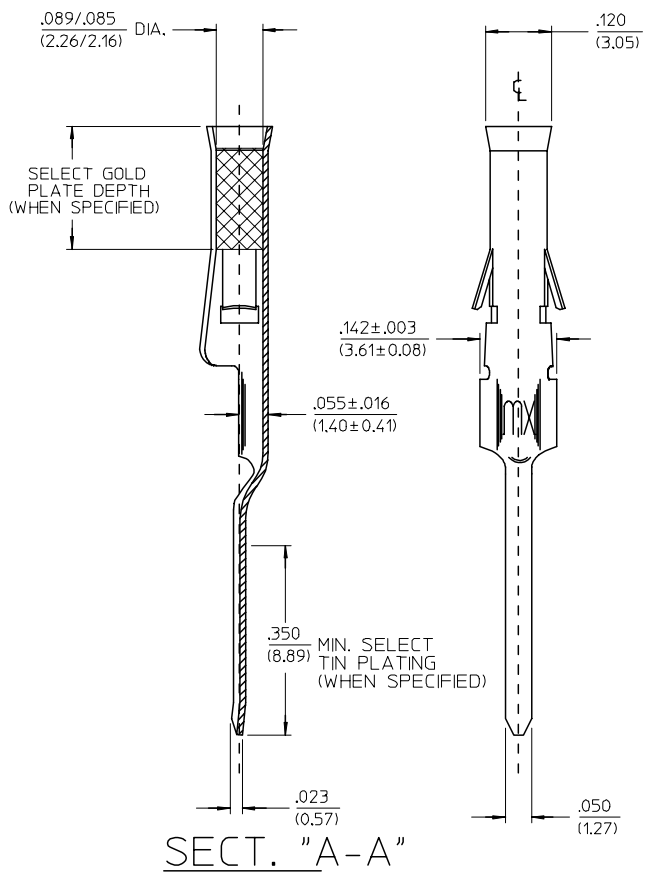
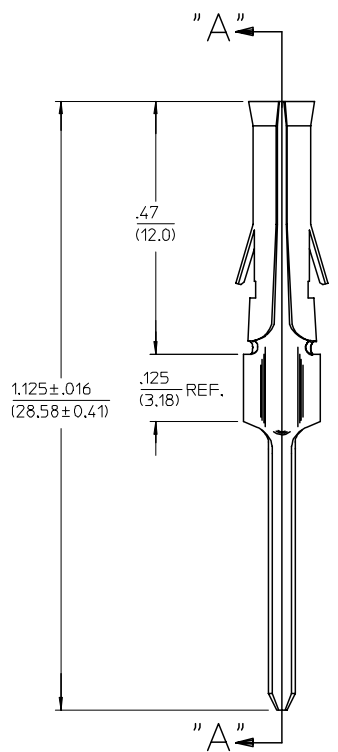
LEGEND

1377-A(****)*

FORM L=LOOSE

P=PREPLATE BLANK=POSTPLATE

FINISH CODE



SECT. "A-A"

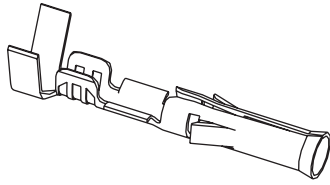
NOTES:

- MATERIAL: BRASS
- FINISHES:
 - * 909 HOT TIN DIP .000100/(0.00254) MIN.
 - * 154 OVERALL TIN .000100/(0.00254) MIN. OVER .000050/(0.00127) MIN. NICKEL OVERALL.
 - * 228 SELECT GOLD PLATE .000030/(0.00075) MIN. IN CONTACT AREA, SELECT TIN PLATE .000100/(0.00250) MIN. IN TAIL AREA OVER .000050/(0.00125) NICKEL OVERALL.
 - * THE PRIMARY SHIPPING CARTON WILL BE LABELED, "COMPLIANT TO RoHS DIRECTIVE 2002/95/EC AND ELV ANNEX II OF DIRECTIVE 2000/53/EC", AND CARTONS WITHOUT THIS LABEL MAY CONTAIN PRODUCT WITH TIN-LEAD.
- PRODUCT SPECIFICATION: PS-02-09
- PACKAGING INFORMATION: NOT AVAILABLE.
- TERMINALS FOR USE WITH 0.093/(2.36) SERIES HOUSINGS.
- RECOMMENDED P.C. BOARD HOLE SIZE IS .062 .002/(1.57 0.05) DIA.
- INSERTION FORCE: 3.5 LBS. MAX. WHEN TERMINAL IS INSERTED INTO AN .093 SERIES HOUSING.

ADD P/N 1377 -AP154L EC NO: UCP2006-2524 DRWN: AELHAG 2006/05/15 CHKD: LSCHMIDT 2006/05/22 APPR: FSMITH 2006/07/14 V1	QUALITY SYMBOLS -0 -0	GENERAL TOLERANCES (UNLESS SPECIFIED)		SCALE 1:1	DESIGN UNITS INCH	THIRD ANGLE PROJECTION	REVISE ON CAD ONLY		
		mm	INCH	DIMENSION STYLE IN/MM					
		4 PLACES ± --- ± ---	3 PLACES ± --- ± .010	DRAWN BY GC	DATE 1991/02/18	P.C. TAIL TERMINAL FEMALE .093/(2.36)DIA			
		2 PLACES ± 0.25 ± .014	1 PLACE ± 0.35 ± ---	CHECKED BY RW	DATE 1991/02/18				
ANGULAR ±1/2°		APPROVED BY GWF		DATE 1991/02/18	MOLEX INCORPORATED				
DRAFT WHERE APPLICABLE MUST REMAIN WITHIN DIMENSIONS		THIS DRAWING CONTAINS INFORMATION THAT IS PROPRIETARY TO MOLEX INCORPORATED AND SHOULD NOT BE USED WITHOUT WRITTEN PERMISSION		MATERIAL NO. SEE CHART	DOCUMENT NO. SD-1377-*	SHEET NO. 1 OF 1			

2.36mm (.093") Pin Diameter .093" Pin and Socket Female Terminals

Standard .093" and 3191



Features and Benefits

- Available in Tin or Gold platings
- Available in Brass or Phosphor Bronze base materials
- Accommodates 14 to 30 gauge wire
- Available in crimp or PC tail versions

Reference Information

Packaging: Bag or reel
UL File No.: E29179
CSA File No.: LR19980
Designed In: Inches

Electrical

Current: Standard Terminal—14.0A max.*
High Current Terminal—17.0A max.*
Contact Resistance: 10 milliohms max.

Mechanical

Contact Insertion Force: 22.29N max.
Contact Retention Force: 88.96N min.
Mating force: 15.57N max.
Unmating Force: 4.45N max.
Durability: Tin plating—25 cycles max.
Gold plating—50 cycles max.

Physical

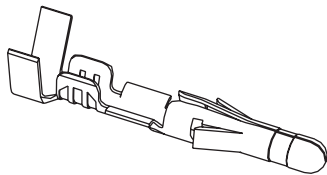
Contact: Brass or Phosphor Bronze
Plating: Tin or Gold
Operating Temperature: -40 to +105°C
Strip Length: See tooling section

* Depending on circuit size and wire gauge. Please refer to product specifications

Type	Plating	Crimp Wire Size	Insulation Diameter	Series	Order No.		Lead-free
					Chain Form	Loose Form	
Standard Brass .010"	Tin	14-20	1.65/4.06 (.065/.160)	1189	02-09-1102	02-09-1104	Yes
		18-22	1.52/3.05 (.060/.120)	1381	02-09-1117	02-09-1119	
		22-24	1.27/1.78 (.050/.070)	2871	02-09-1138	02-09-1139	
		24-30	0.76/1.52 (.030/.060)	1433	02-09-1142	02-09-1144	
	15µ" Gold	14-20	1.65/4.06 (.065/.160)	1189	02-09-5100	02-09-5106	
		18-22	1.52/3.05 (.060/.120)	1381	02-09-5143	02-09-5142	
		24-30	0.76/1.52 (.030/.060)	1433	02-09-5146	02-09-5147	
	50µ" Gold	14-20	1.65/4.06 (.065/.160)	1189	02-09-5102	02-09-5111	
		18-22	1.52/3.05 (.060/.120)	1381	02-09-5130	02-09-5133	
.013" High Current/Low Force	Tin	14-18	3.56 (.140) max.	42477	02-09-1615	02-09-1616	
PC Tail for Standard .093" Housing	Tin			1377		02-09-1134	
	30µ" Gold				02-09-5132		
Phos-Bronze .010"	Tin	14-20	1.65/4.06 (.065/.160)	4550	02-09-1205	02-09-1206	
		18-22	1.52/3.05 (.060/.120)	2151	02-09-1203	02-09-1204	
	30µ" Gold	14-20	1.65/4.06 (.065/.160)	4550	02-09-5169	02-09-5170	

2.36mm (.093") Pin Diameter .093" Pin and Socket Male Terminals

Standard .093" and 3191



Features and Benefits

- Available in Tin or Gold platings
- Available in Brass or Phosphor Bronze base materials
- Accommodates 14 to 30 gauge wire
- Available in crimp or PC tail versions

Reference Information

Packaging: Bag or reel
UL File No.: E29179
CSA File No.: LR19980
Designed In: Inches

Electrical

Current: Standard terminal—14.0A max.*
High Current Terminal—17.0A max.*
Contact Resistance: 10 milliohms max

Mechanical

Contact Insertion Force: 22.24N max.
Contact Retention Force: 88.96N min.
Mating Force: 15.57N max.
Unmating Force: 4.45N max.
Durability: Tin plating—25 cycles max.
Gold plating—50 cycles max.

Physical

Contact: Brass or Phosphor Bronze
Plating: Tin or Gold
Operating Temperature: -40 to +105°C

* Depending on circuit size and wire gauge; please refer to product specifications

Type	Plating	Crimp Wire Size	Insulation Diameter	Series	Order No.		Lead-free
					Chain Form	Loose Form	
Standard Brass .010"	Tin	14-20	1.65/4.06 (.065/.160)	1190	02-09-2101	02-09-2103	Yes
		18-22	1.52/3.05 (.060/.120)	1380	02-09-2116	02-09-2118	
		22-24	1.27/1.78 (.050/.070)	2870	02-09-2136	02-09-2137	
		24-30	0.76/1.52 (.030/.060)	1434	02-09-2141	02-09-2143	
	15µ" Gold	14-20	1.65/4.06 (.065/.160)	1190	02-09-6100	02-09-6106	
		18-22	1.52/3.05 (.060/.120)	1380	02-09-6122	02-09-6123	
		24-30	0.76/1.52 (.030/.060)	1434	02-09-6144	02-09-6145	
	50µ" Gold	14-20	1.65/4.06 (.065/.160)	1190	02-09-6101	02-09-6110	
		18-22	1.52/3.05 (.060/.120)	1380	02-09-6125	02-09-6126	
Grounding Pin	Tin	14-18	1.65/3.56 (.065/.140)	1973-2	02-09-8108	02-09-8109	
		18-22	1.52/3.05 (.060/.120)	1973	02-09-8103	02-09-8104	
.013" High Current/Low Force	Tin	14-18	3.56 (.140) max.	42478	02-09-2611	02-09-2612	
PC Tail for Standard .093" Housing	Tin			1376		02-09-2134	
	30µ" Gold			1376		02-09-6132	