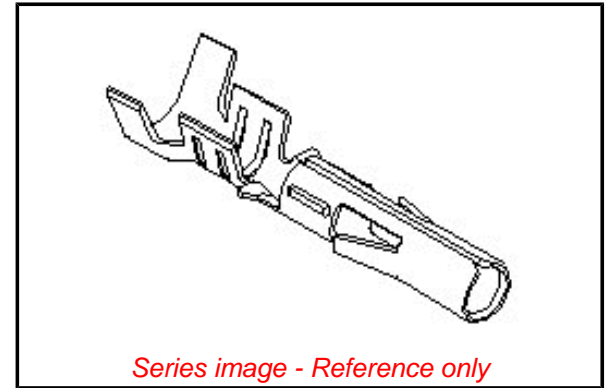


Part Number: [0002081202](#)
Status: **Active**
Overview: [Disk Drive Power Connector](#)
Description: Disk Drive Power Connection System, Female Crimp Terminal, Bag, Phosphor Bronze, 14-20 AWG



Series image - Reference only

General

Product Family	Crimp Terminals
Series	8980
Overview	Disk Drive Power Connector
Product Name	Disk Drive Power

Physical

Durability (mating cycles) min	50 cycles
Gender	Female
Material - Metal	Phosphor Bronze
Material - Plating Mating	Tin
Material - Plating Termination	Tin
Packaging Type	Bag
Plating min: Mating (µin)	35
Plating min: Mating (µm)	0.89
Plating min: Termination (µin)	35
Plating min: Termination (µm)	0.89
Termination Interface: Style	Crimp or Compression
Wire Insulation Diameter	2.03-2.74mm (.080-.108")
Wire Size AWG	14
Wire Size AWG	16
Wire Size AWG	18
Wire Size AWG	20
Wire Size mm ²	N/A

Material Info

Old Part Number	8980-3L
-----------------	---------

EU RoHS

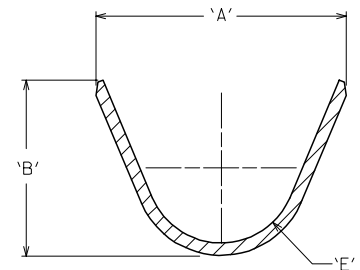
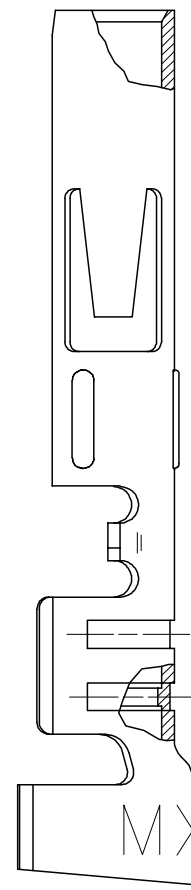
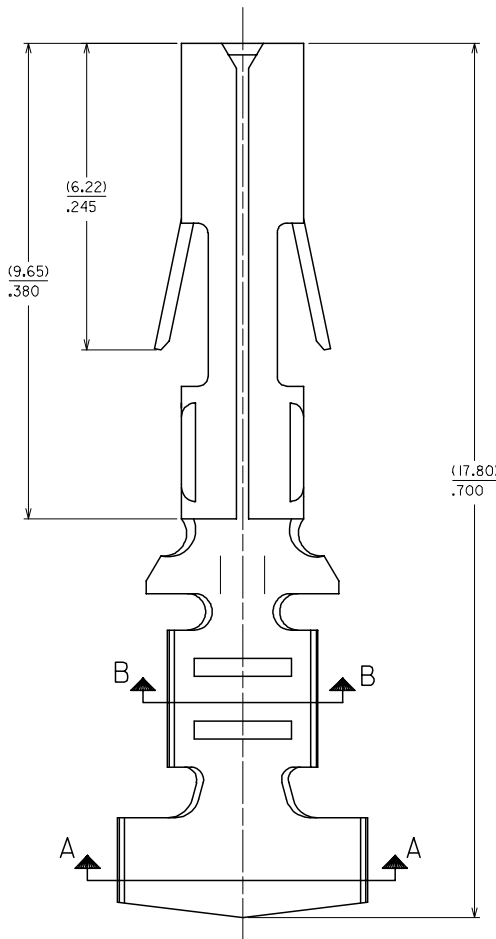
**ELV and RoHS
Compliant**

China RoHS

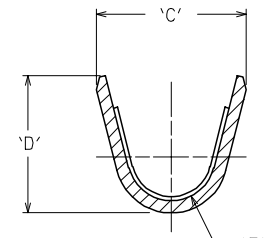


EDP NO.	ENG NO.	FORM	'A'	'B'	'C'	'D'	'E'	'F'
02-08-1201	8980-3C	CHAIN,14-20 AWG WIRE	(4.44)	(3.39)	(3.02)	(3.61)	(1.23)	(0.61)
02-08-1202	8980-3L	LOOSE,14-20 AWG WIRE	.175	.133	.119	.142	.048	.024

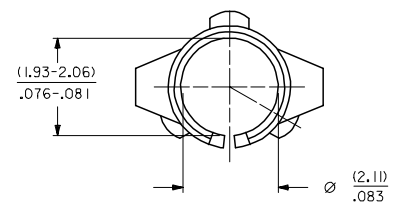
NOTES:
 1. FINISH: (.00089)/.000035 MN. TIN OVER
 (.00051)/.000020 MIN COPPER (COPPER PLATE REFLOWED)
 2. MATERIAL: (.025)/.010 THK PHOS
 BRONZE, ALLOY CA 51000.



SECTION A-A



SECTION B-B



OBS060702 EC NO: S2007-0797 DRWN:GEMARLY 2007/03/30 CHKD:SKANG 2007/04/03 APPR:MLONG 2007/04/03	REV	DESCRIPTION

QUALITY SYMBOLS	GENERAL TOLERANCES (UNLESS SPECIFIED)
▽=0	
▽C=0	
	DRAFT WHERE APPLICABLE MUST REMAIN WITHIN DIMENSIONS

DIMENSION STYLE	SCALE	DESIGN UNITS	THIRD ANGLE PROJECTION
MM/IN	NTS	METRIC	
DRAWN BY	DATE	TITLE	
TAY	1987/12/15	TERMINAL SOCKET	
CHECKED BY	DATE	DIA. (2.096)/.0825	
AT	1987/12/15		
APPROVED BY	DATE		
AB	1987/12/15		
MATERIAL NO.	DOCUMENT NO.		
SEE TABLE	SD-8980-3*		
SIZE			
A3			

MOLEX INCORPORATED		SHEET NO.
		1 OF 1
THIS DRAWING CONTAINS INFORMATION THAT IS PROPRIETARY TO MOLEX INCORPORATED AND SHOULD NOT BE USED WITHOUT WRITTEN PERMISSION		