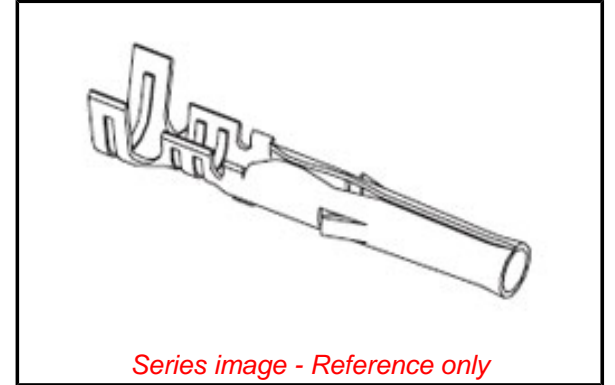


**Part Number:** [0002061103](#)

**Status:** **Active**

**Overview:** Standard .062"

**Description:** 1.57mm (.062") Diameter, Standard .062" Pin and Socket Crimp Terminal, Female, with Tin (Sn) Plated Brass Contact, 18-24 AWG, Bag



#### General

Product Family	Crimp Terminals
Series	1561
Overview	<u>Standard .062"</u>
Product Name	Standard .062"

#### Physical

Gender	Female
Material - Metal	Brass
Material - Plating Mating	Tin
Material - Plating Termination	Tin
Packaging Type	Bag
Plating min: Mating (µin)	20
Plating min: Mating (µm)	0.50
Plating min: Termination (µin)	20
Plating min: Termination (µm)	0.50
Termination Interface: Style	Crimp or Compression
Wire Insulation Diameter	1.52-3.05mm (.060-.120")
Wire Size AWG	18
Wire Size AWG	20
Wire Size AWG	22
Wire Size AWG	24
Wire Size mm <sup>2</sup>	N/A

#### Material Info

Old Part Number	1561-(P901)L
-----------------	--------------

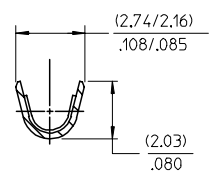
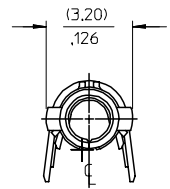
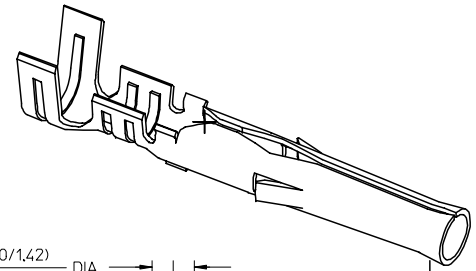
#### EU RoHS

**ELV and RoHS  
Compliant**

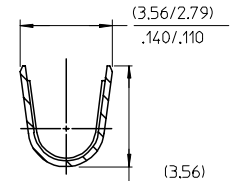
#### China RoHS



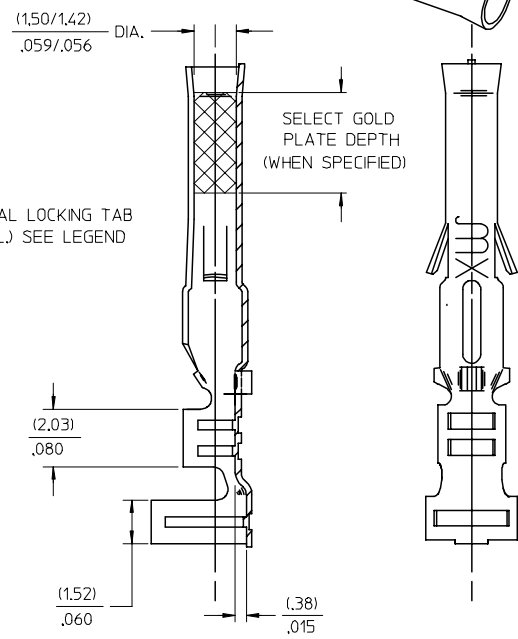
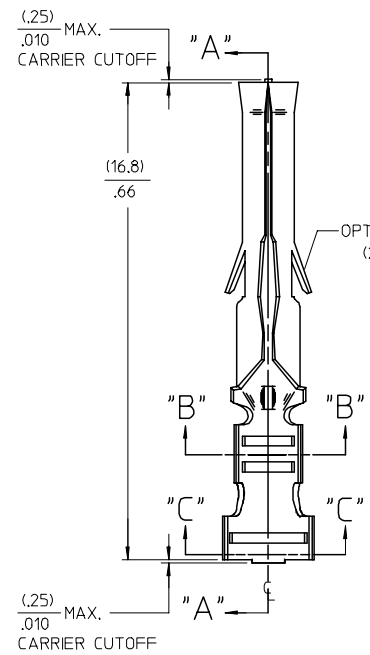
PART NO.	ENG. NO.
02-06-1101	1561-(P901)
02-06-1103	1561-(P901)L
02-06-5101	1561-(P561)
02-06-5102	1561-(P561)L
02-06-5108	1561-(P228)
02-06-5109	1561-(P228)L
02-06-5100	1561-(P550)
02-06-5103	1561-(P550)L
02-06-5105	1561-(P591)
02-06-5104	1561-(P591)L
02-06-1118	1561-1(P901)
NOT TOOLED	1561-1(P901)L



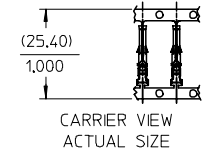
SECT. "B-B"  
SCALE:10X



SECT. "C-C"  
SCALE:10X



SECT. "A-A"



CARRIER VIEW  
ACTUAL SIZE

LEGEND

1561-\*(\*\*\*\*)\*  
 BLANK=WITH LOCKING TABS  
 1=WITHOUT LOCKING TABS  
 P=PREPLATE  
 BLANK=POSTPLATE  
 FORM  
 BLANK=CHAIN  
 L=LOOSE  
 FINISH CODE

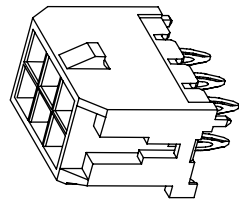
- NOTES:
- MATERIAL: BRASS
  - FINISH:
    - 901 HOT TIN DIP (.00051)/.000020 MIN.
    - 228 SELECT GOLD PLATE (.00075)/.000030 MIN. IN CONTACT AREA, SELECT TIN, (.00250)/.000100 MIN. IN CRIMP AREA OVER (.00125)/.000050 MIN. NICKEL OVERALL.
    - 561 SELECT GOLD PLATE (.00076)/.000030 MIN. IN CONTACT AREA, OVER (.00127)/.000050 MIN. NICKEL OVERALL.
    - 591 SELECT GOLD PLATE (.00175)/.000050 MIN. IN CONTACT AREA, OVER (.00127)/.000050 MIN. NICKEL OVERALL WITH (.000025)/.000010 MAX. GOLD FLASH OVERALL.
    - 550 SELECT GOLD PLATE (.00038)/.000015 MIN. IN CONTACT AREA, OVER (.00076)/.000030 MIN. NICKEL OVERALL WITH (.000025)/.000010 MAX. GOLD FLASH OVERALL.
  - \* THE PRIMARY SHIPPING CARTON WILL BE LABELED, "COMPLIANT TO ROHS DIRECTIVE 2004/95/EC AND ANNEX II OF DIRECTIVE 2000/53/EC", AND CARTONS WITHOUT THIS LABEL MAY CONTAIN PRODUCT WITH TIN-LEAD."
  - PRODUCT SPECIFICATION: PS-02-06.
  - PACKAGING INFORMATION: NOT AVAILABLE
  - TERMINAL FOR USE WITH (1.57)/.062 DIA. SERIES HOUSINGS AND WILL ACCEPT 18 THRU 24 AWG WIRE WITH (1.52/3.05)/.060/.120 INSULATION DIA.

AP	REVISED/REDRAWN UCP2004-2257 RHOLTS 05/14/04
A0	REINSTATE 02065105 UCP2003-1827 ELHAG, 03/02/24
AN	OBSOLETE P/N UCR2002-0270 COMERCI 01/9/25
AM1	ADDED ISO VIEW UCR1998-0248 WANG 98-05-21
AM	REV. AND REDRAWN PER ECR 10372 GEP 8-20-87 RW

SEE REVISION BLOCK EC NO: UCP2004-2257 DRW:RHOLTS 2005/03/06 CHKD:FSMITH 2005/03/30 APPR:FSMITH 2005/04/11	QUALITY SYMBOLS	GENERAL TOLERANCES (UNLESS SPECIFIED)	SCALE 6:1	DESIGN UNITS INCH	THIRD ANGLE PROJECTION	REVISE ON CAD ONLY
	DESCRIPTION AP	4 PLACES ± --- ± --- 3 PLACES ± --- ± .005 2 PLACES ± 0.13 ± .010 1 PLACE ± 0.25 ± --- ANGULAR ±1/2°	DIMENSION STYLE IN/MM		TITLE	
			DRAWN BY GEW DATE 1991/02/19		CRIMP TERMINAL, FEMALE .062 DIA. FOR 18-24 AWG WIRE	
			CHECKED BY RW DATE 1991/02/19		MOLEX MOLEX INCORPORATED	
DRAFT WHERE APPLICABLE MUST REMAIN WITHIN DIMENSIONS		APPROVED BY GWF DATE 1991/02/19	MATERIAL NO. SEE CHART	DOCUMENT NO. SD-1561-*	SHEET NO. 1 OF 1	

# 3.00mm (.118") Pitch Micro-Fit CPI™ Wire-to-Board Header

**44914**  
Dual Row, Vertical



### Features and Benefits

- Solderless board connection
- 2 to 24 circuits for design flexibility
- Fully isolated contacts prevent terminal damage
- Fully polarized to prevent mismatching

### Reference Information

Product Specification: PS-43045  
Packaging: Tray  
UL File No.: E29179  
CSA File No.: LR19980A  
TUV File No.: R72040445  
Mates With: 43025  
Designed In: Millimeters

### Electrical

Voltage: 250V  
Current: 5.0A max.  
Contact Resistance: 100 milliohms max.  
Dielectric Withstanding Voltage: 1500V AC

### Mechanical

Insertion Force to PCB: 10.9kgf max. (24 lbf) per terminal  
Retention Force to PCB: 3.6kgf max. (8lbf) per terminal  
Durability: 30 cycles

### Physical

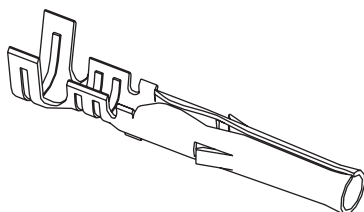
Housing: High-temperature LCP, UL 94V-0  
Contact: Brass  
Plating: Contact Area—Tin or Gold  
Solder Tail Area—Tin or Tin/Lead  
Underplating—Nickel  
PCB Thickness: 2.34mm (.092") min.  
Operating Temperature: -40 to +105°C

Circuits	Order No.			Lead-free
	Tin	15µm Gold	30µm Gold	
2	<a href="#">44914-0201</a>	<a href="#">44914-5202</a>	<a href="#">44914-5203</a>	Yes
4	<a href="#">44914-0401</a>	<a href="#">44914-5402</a>	<a href="#">44914-5403</a>	
6	<a href="#">44914-0601</a>	<a href="#">44914-5602</a>	<a href="#">44914-5603</a>	
8	<a href="#">44914-0801</a>	<a href="#">44914-5802</a>	<a href="#">44914-5803</a>	
10	<a href="#">44914-1001</a>	<a href="#">44914-6002</a>	<a href="#">44914-6003</a>	
12	<a href="#">44914-1201</a>	<a href="#">44914-6202</a>	<a href="#">44914-6203</a>	
14	<a href="#">44914-1401</a>	<a href="#">44914-6402</a>	<a href="#">44914-6403</a>	
16	<a href="#">44914-1601</a>	<a href="#">44914-6602</a>	<a href="#">44914-6603</a>	
18	<a href="#">44914-1801</a>	<a href="#">44914-6802</a>	<a href="#">44914-6803</a>	
20	<a href="#">44914-2001</a>	<a href="#">44914-7002</a>	<a href="#">44914-7003</a>	
22	<a href="#">44914-2201</a>	<a href="#">44914-7202</a>	<a href="#">44914-7203</a>	
24	<a href="#">44914-2401</a>	<a href="#">44914-7402</a>	<a href="#">44914-7403</a>	

Circuits	Order No.		Lead-free
	15µm Gold	30µm Gold	
2	<a href="#">44914-0202</a>	<a href="#">44914-0203</a>	No
4	<a href="#">44914-0402</a>	<a href="#">44914-0403</a>	
6	<a href="#">44914-0602</a>	<a href="#">44914-0603</a>	
8	<a href="#">44914-0802</a>	<a href="#">44914-0803</a>	
10	<a href="#">44914-1002</a>	<a href="#">44914-1003</a>	
12	<a href="#">44914-1202</a>	<a href="#">44914-1203</a>	
14	<a href="#">44914-1402</a>	<a href="#">44914-1403</a>	
16	<a href="#">44914-1602</a>	<a href="#">44914-1603</a>	
18	<a href="#">44914-1802</a>	<a href="#">44914-1803</a>	
20	<a href="#">44914-2002</a>	<a href="#">44914-2003</a>	
22	<a href="#">44914-2202</a>	<a href="#">44914-2203</a>	
24	<a href="#">44914-2402</a>	<a href="#">44914-2403</a>	

# 1.57mm (.062") Pin Diameter .062" Pin and Socket Female Terminals

**Standard .062"**



### Features and Benefits

- Available in Tin or Gold platings
- Available in Brass or Phosphor Bronze base materials
- Accommodates 18 to 30 gauge wire

### Reference Information

Packaging: Bag or reel  
UL File No.: E29179  
CSA File No.: LR19980  
Designed In: Inches

### Electrical

Contact Resistance: 3.2 milliohms max.  
Current: 5.0A

### Mechanical

Contact Insertion Force: 15.75N max.  
Durability: Tin—25 cycles max.  
Gold—50 cycles max.

### Physical

Contact: Brass or Phosphor Bronze  
Plating: Tin or Gold  
Operating Temperature: -40 to +105°C

Type	Plating	Crimp Wire Size	Insulation Diameter	Series	Order No.		Lead-free	
					Chain	Loose		
Standard Brass .008"	Tin	18-24	1.52/3.05 (.060/.120)	1561	<a href="#">02-06-1101</a>	<a href="#">02-06-1103</a>	Yes	
		24-30	1.02/2.29 (.040/.090)	1855	<a href="#">02-06-1131</a>	<a href="#">02-06-1132</a>		
	15µm Gold	18-24	1.52/3.05 (.060/.120)	1561	<a href="#">02-06-5100</a>	<a href="#">02-06-5103</a>		
		24-30	1.02/2.29 (.040/.090)	1855	<a href="#">02-06-5130</a>	<a href="#">02-06-5135</a>		
	30µm Gold	18-24	1.52/3.05 (.060/.120)	1561	<a href="#">02-06-5101</a>	<a href="#">02-06-5102</a>		
		24-30	1.02/2.29 (.040/.090)	1855	<a href="#">02-06-5138</a>	<a href="#">02-06-5139</a>		
	30µm Gold Contact Tin Crimp	18-24	1.52/3.05 (.060/.120)	1561	<a href="#">02-06-5108</a>	<a href="#">02-06-5109</a>		
		24-30	1.02/2.29 (.040/.090)	1855	<a href="#">02-06-5147</a>	<a href="#">02-06-5148</a>		
	Phos-Bronze	Tin .006"	18-24	1.52/3.05 (.060/.120)	4529	<a href="#">02-06-1104</a>		<a href="#">02-06-1105</a>
			18-24	1.52/3.05 (.060/.120)	1787	<a href="#">02-06-1201</a>		<a href="#">02-06-1202</a>
Tin .008"		18-24	1.52/3.05 (.060/.120)	2189	<a href="#">02-06-1231</a>	<a href="#">02-06-1232</a>		
		18-24	1.52/3.05 (.060/.120)	4529	<a href="#">02-06-5207</a>	<a href="#">02-06-5208</a>		
.006" Gold (15µm) .008" Gold (15µm)		18-24	1.52/3.05 (.060/.120)	1787	<a href="#">02-06-5201</a>	<a href="#">02-06-5202</a>		
		Tin		1779		<a href="#">02-06-7103</a>		
.008" PC Tail Brass for Standard .062" Housings Only	30µm Gold Tin Tail Area			1779		<a href="#">02-06-7104</a>		

Note: .006 Phosphor Bronze stock recommended for versions 15 circuits and larger

