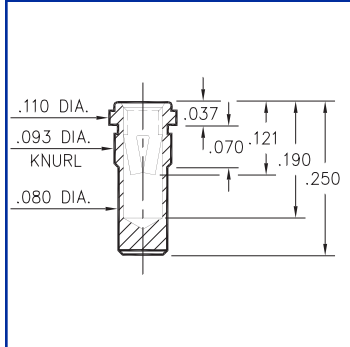
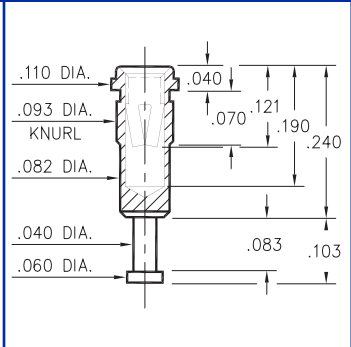
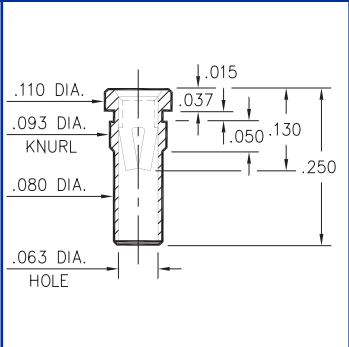
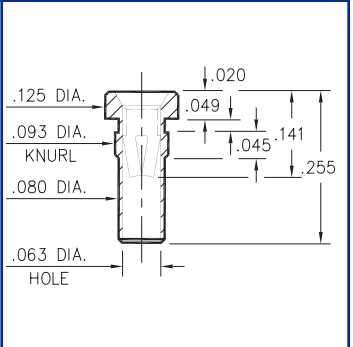
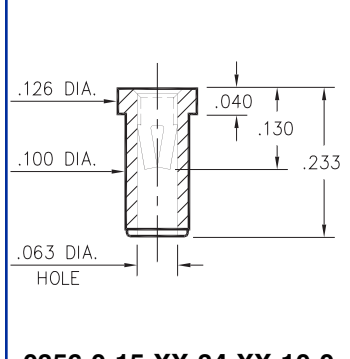
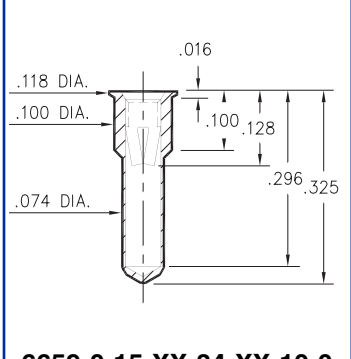
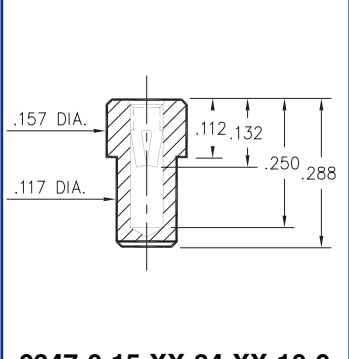
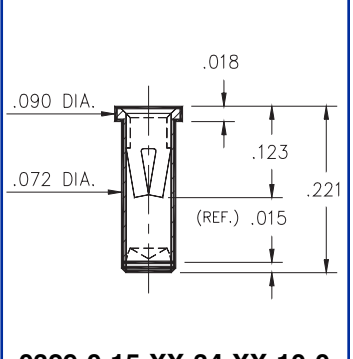
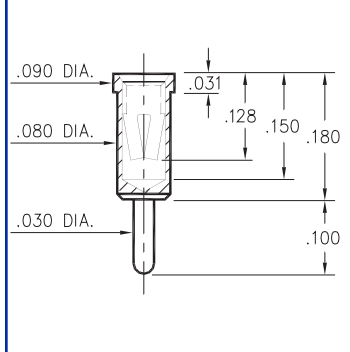
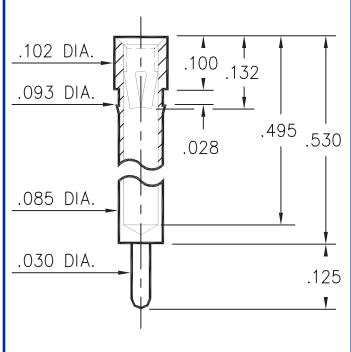
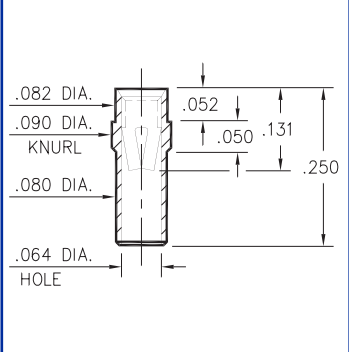
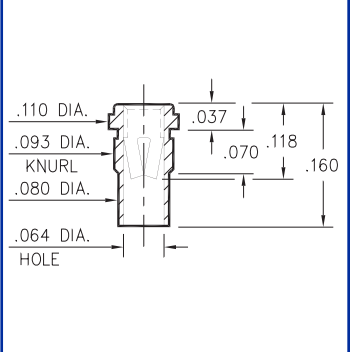


0359	0358	0360	0343
 <p>0359-0-15-XX-34-XX-10-0 Press-fit in .090 mounting hole</p>	 <p>0358-0-15-XX-34-XX-10-0 Press-fit in .090 mounting hole</p>	 <p>0360-0-15-XX-34-XX-10-0 Press-fit in .090 mounting hole</p>	 <p>0343-0-15-XX-34-XX-10-0 Press-fit in .090 mounting hole</p>
0356	6659	0347	0329
 <p>0356-0-15-XX-34-XX-10-0 Solder mount in .102 min. mounting hole</p>	 <p>6659-0-15-XX-34-XX-10-0 Solder mount in .102 min. mounting hole</p>	 <p>0347-0-15-XX-34-XX-10-0 Solder mount in .120 min. mounting hole</p>	 <p>0329-0-15-XX-34-XX-10-0 Solder mount in .075 min. mounting hole. "knock out" bottom.</p>
0814	5059	8360	9359
 <p>0814-0-15-XX-34-XX-04-0 Solder mount in .082 min. mounting hole</p>	 <p>5059-0-15-XX-34-XX-04-0 Press-fit in .090 mounting hole</p>	 <p>8360-0-15-XX-34-XX-10-0 Press-fit in .087 mounting hole</p>	 <p>9359-0-15-XX-34-XX-10-0 Press-fit in .090 mounting hole</p>

SPECIFICATIONS



SHELL MATERIAL:
Brass Alloy 360, 1/2 Hard



CONTACT MATERIAL:
Beryllium Copper Alloy 172, HT

DIMENSION IN INCHES
TOLERANCES ON:
LENGTHS: ±.005
DIAMETERS: ±.002
ANGLES: ± 2°

ORDER CODE: XXXX - 0 - 15 - XX - 34 - XX - XX - 0

BASIC PART #

SPECIFY SHELL FINISH:
01 200µ" TIN/LEAD OVER NICKEL
80 200µ" TIN OVER NICKEL 
15 10µ" GOLD OVER NICKEL 

SPECIFY CONTACT FINISH:
01 200µ" TIN/LEAD OVER NICKEL
80 200µ" TIN OVER NICKEL 
27 30µ" GOLD OVER NICKEL 



CONTACT

#34 CONTACT (DATA ON PAGE 222)