

785 Magnetic Latching Square Base Relay/DPDT, 16 Amp Rating



High strength magnetic latch helps contacts hold during vibration.



Single and Dual (DC only) coil available.

16 Amp switching capabilities

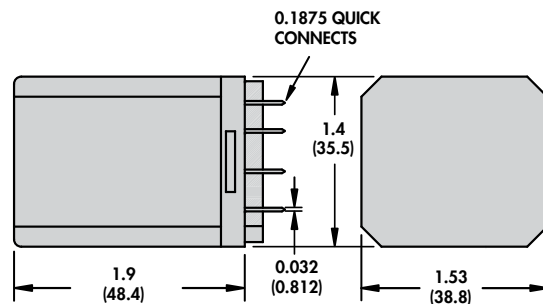
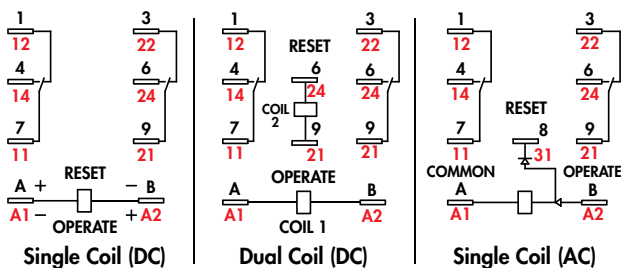
Standard .1875 blade style socket mounting.

General Specifications (UL 508)

Contact Characteristics	Units	Standard
Number and type of Contacts		DPDT
Contact materials		Silver Alloy
Thermal (Carrying) Current	A	16
Maximum Switching Voltage	V	300
Switching Current @ Voltage	~ Resistive	16A @ 277V 50/60Hz
	~ Resistive	16A @ 120V 50/60Hz
	~ Resistive	16A @ 28V
	HP	1/3 @ 120 VAC
	HP	1/2 @ 240 VAC
	Pilot Duty	B300
Minimum Switching Requirement	mA	100 @ 5 VDC (.5W)
Coil Characteristics		
Voltage Range	~ V	6...240, 50/60 Hz
	~ V	6...125
Operating Range	~	85% to 110%
	~	80% to 110%
Average consumption	% of Nominal	3
	~ VA	3
	~ W	1.4
Drop-out voltage threshold	~	15%
	~	10%
Performance Characteristics		
Electrical Life (UL508)	Operations @ Rated Current	(Resistive) 100,000
Mechanical Life	Unpowered	5,000,000
Operating time (response time)		ms 20
Dielectric strength	Between coil and contact	~ V(rms) 1500
	Between poles	~ V(rms) 1500
	Between contacts	~ V(rms) 1500
Environment		
Product certifications	Standard version	UL, CSA, CE
Ambient air temperature	Storage	°C -40...+85
around the device	Operation	°C -40...+55
Vibration resistance	Operational	g-n 3, 10 - 55 Hz
Shock resistance		g-n 10
Degree of protection		IP 40
Weight	grams	87

WIRING DIAGRAMS

NEMA IEC



SECTION 7



The 785 Magnetic Latching relay, with an Industry Standard square base, operates by using a pulsed input. A permanent magnet maintains the last position until a redirected second pulse moves the contacts back to the original state.

Standard Part Numbers

BOLD-FACED PART NUMBERS ARE NORMALLY STOCKED

Nominal Voltage	Coil Resistance	Part Number
AC Operated (Single Coil)		
6 VAC 50/60 HZ	32 Ohms	785XBXC-6A
12 VAC 50/60 HZ	120 Ohms	785XBXC-12A
24 VAC 50/60 HZ	470 Ohms	785XBXC-24A
120 VAC 50/60 HZ	10,000 Ohms	785XBXC-120A
240 VAC 50/60 HZ	40,000 Ohms	785XBXC-240A
DC Operated (Dual Coil)		
6 VDC	22/22 Ohms	785XBXCD-6D
12 VDC	88/88 Ohms	785XBXCD-12D
24 VDC	350/350 Ohms	785XBXCD-24D
48 VDC	1,400/1,400 Ohms	785XBXCD-48D
110/125 VDC	9,000/9,000 Ohms	785XBXCD-110D
DC Operated (Single Coil)		
12 VDC	120 Ohms	785XBXC-12D
24 VDC	470 Ohms	785XBXC-24D
110/125 VDC	10,000 Ohms	785XBXC-125D

Part Number Builder

785	XBX	C	-	240A
Series	Contact Configuration	Coil Options	Coil Voltage	
785	DPDT = XBX	Single Coil = C Double Coil = CD	VAC = 6 - 240A VDC = 6 - 125D	

Other mating sockets see Section 2: 70-788EL11-1, 70-124-1, 70-124-2, 70-178-1, 70-178-2

**70-788EL11-1
SOCKET**

