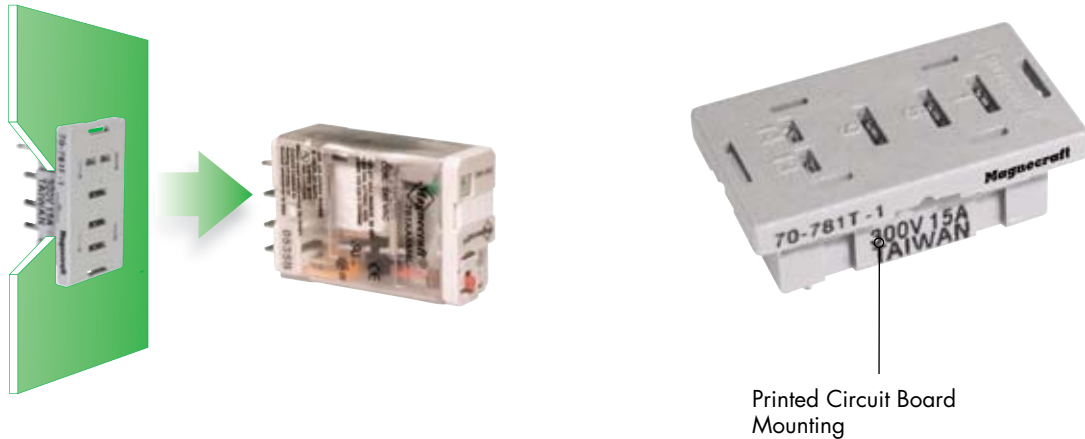


## 70-781T-1 Socket/15 Amp Rating, 300 Volts



**BOLD-FACED PART NUMBERS ARE NORMALLY STOCKED**

Standard Part Number	Description
<b>70-781T-1</b>	5 Pin, Printed Circuit Terminals



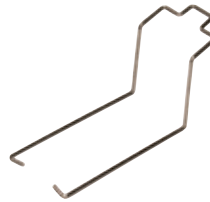
### General Specifications

Characteristics	Units	Value
Number of Terminals		5
<b>Electrical Rating</b>		
Nominal Voltage Rating	Volts	300
Nominal Current Rating	Amps	15
<b>Dielectric Strength</b>		
Output to Input Terminals	V rms	2500
<b>Temperature</b>		
Operating Range:	°C	- 40 to + 80
Storage Range:	°C	- 40 to + 105
<b>Construction</b>		
Internal Metal Tracks		Copper Alloy, Zinc Plated
Terminals		Copper Alloy, Zinc Plated
<b>Miscellaneous</b>		
Socket Mounting:		Printed Circuit
Connection Method		Solder
Flamability Rating	Class	94V-0
Body Color		Light Gray
Product Certification		UL, CSA
Conformance		CE, RoHS
Weight	grams	18

### Optional Mating Accessories



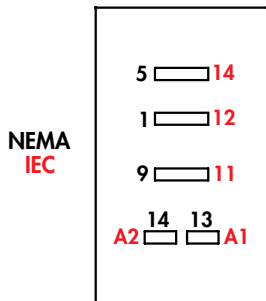
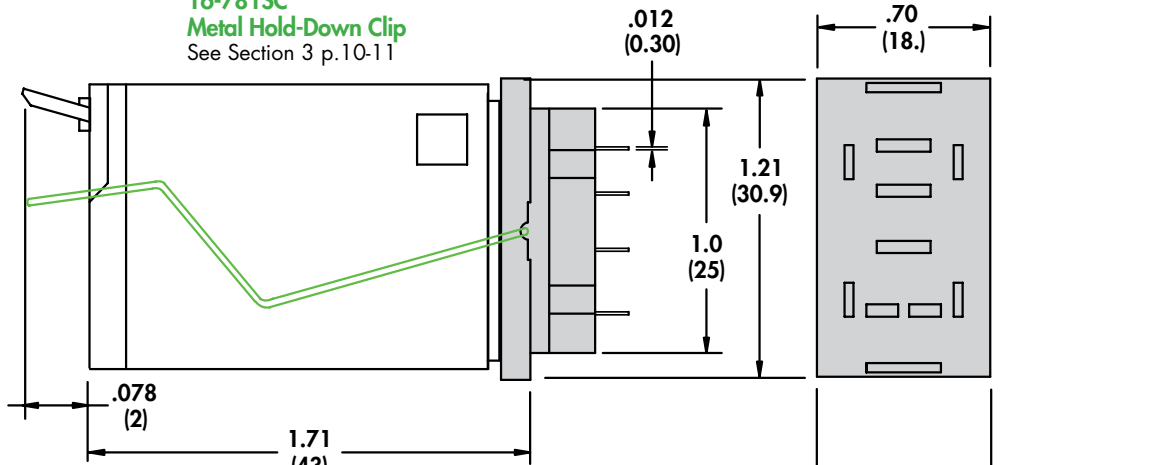
781 Relay



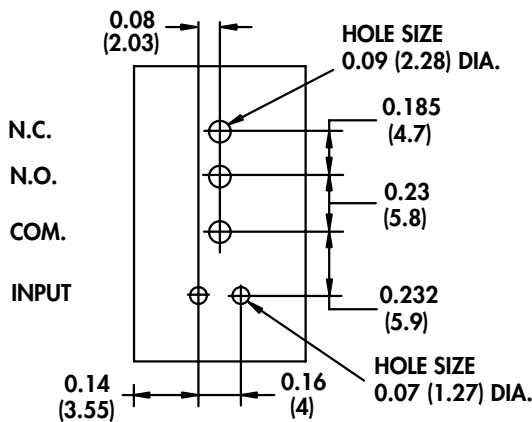
16-781SC

Standard Part Number	Description	Catalog Location
781	Relay	Section 1 p.10-11
16-781SC	Metal Hold-Down Clip	Section 3 p.8-11

16-781SC  
Metal Hold-Down Clip  
See Section 3 p.10-11



Wiring Diagram  
Top View



RECOMMENDED  
PRINTED CIRCUIT BOARD  
LAYOUT TOP VIEW

