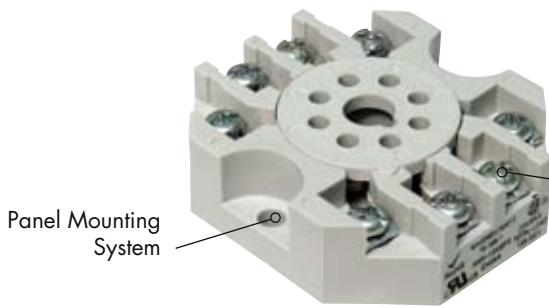


## 70-169-1, 70-170-1 Sockets/15 Amp Rating, 300 Volts



Panel Mounting System

**70-169-1**

Screw and Clamping Plates Accept Stripped Wire or Ring Terminals.



**70-170-1**

**BOLD-FACED PART NUMBERS ARE NORMALLY STOCKED**

Standard Part Number

Description

**70-169-1**

8 and 11-Pin, Octal, Panel Mount with Screw

**70-170-1**

Terminals & Clamping Plates



### General Specifications (UL 508)

Characteristics	Units	Value
Number of Terminals		8, 11
<b>Electrical Rating</b>		
Nominal Voltage Rating	Volts	300
Nominal Current Rating	Amps	15
<b>Dielectric Strength</b>		
Output to Adjacent Output Terminals	V rms	2000
Output to Input Terminals	V rms	2000
Terminals to Rail / Chassis	V rms	2000
<b>Temperature</b>		
Operating Range:	°C	- 40 to + 80
Storage Range:	°C	- 40 to + 105
<b>Construction</b>		
Internal Metal Tracks		Copper Alloy, Zinc Plated
Screw Terminals		Steel, Zinc Plated
Screw Style		Combination Head,
Screw size	mm	M3.5
Screw Torque 3.5 mm (Maximum)	Lb-in / Nm	9 / 1.0
<b>Miscellaneous</b>		
Socket Mounting:		Din / Panel
Wire Size Capacity (Maximum)	EN 60204-1	AWG mm2
Soild Cu	AWG, mm2	14 / 16 (2) 2.5 / 1.5 (2)
Stranded Cu	AWG, mm2	14 / 16 (2) 2.5 / 1.5 (2)
Wire Connection Method		Screw Clamping
Chassis Mount Screw Torque	EN 60715	35mm
	Lb-in / Nm	7 / 0.8
Flamability Rating	Class	94V-0
Body Color		Light Gray
Product Certification		UL, CSA
Conformance		RoHS
Weight	grams	57

### Optional Mating Accessories



750 Relay

Standard Part Number	Description	Catalog Location
750, 750H	Relay	Section 1 p.24-29, 44-47

