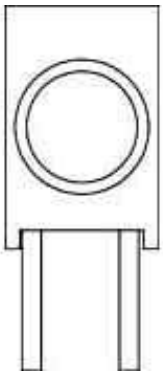


- Products
- Search Tools
- Solutions
- Literature
- Tech Notes
- Support
- Corporate

Products > LED Indicators > PCB Indicators > Assembled Housing > Round > 3mm > Single Level > 2 Leaded > 0.125" from PCB



Features / Options

- ▶ Vertical Positioning
- ▶ Multi-Unit Construction
- ▶ Polarity Orientation Holder
- ▶ Choice of Colors and Lenses

Applications / Uses

- ▶ Board Level Status Indicators
- ▶ Board Level Fault Indicators
- ▶ Warning/Alarm Signaling
- ▶ Circuit Fault Finder Indicators

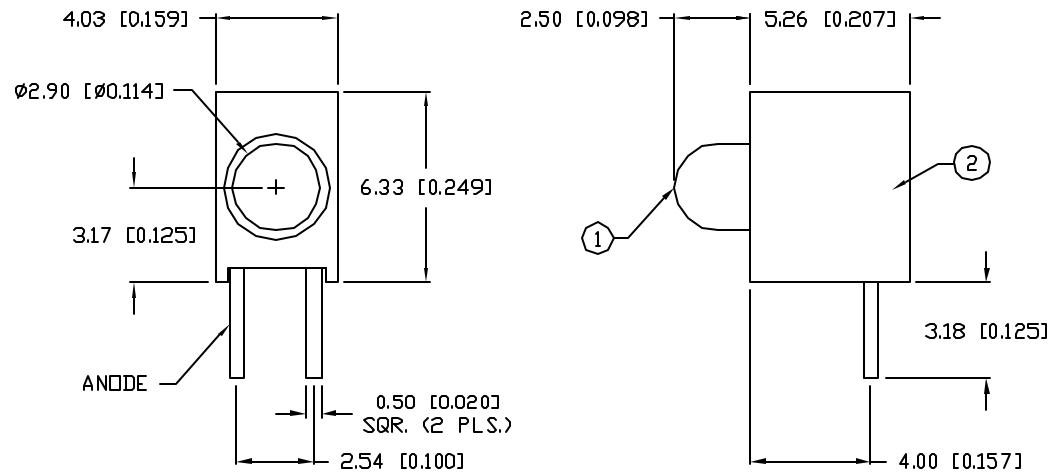
Part Number:	SPEC	Brightness	Material	Emitted Color	Wavelength	Intensity	View Angle	Voltage
SSF-LXH303GD		STANDARD	GaP	Green	565	30	60	2.2
SSF-LXH303ID		STANDARD	GaAsP	Red	635	40	60	2.1
SSF-LXH303LGD		STANDARD	GaP	Green	565	30	60	2.2
SSF-LXH303LID		STANDARD	GaAsP	Red	635	40	60	2.0
SSF-LXH303LYD		STANDARD	GaAsP	Yellow	585	30	60	2.1
SSF-LXH303MSID		HIGH	AllnGaP	Red	636	100	60	2.0
SSF-LXH303MSOD		HIGH	AllnGaP	Orange	610	100	60	2.0
SSF-LXH303MSUGD		HIGH	AllnGaP	Green	574	60	60	2.2
SSF-LXH303MSYD		HIGH	AllnGaP	Yellow	590	100	60	2.0
SSF-LXH303MUSBD		HIGH	InGaN	Blue	470	80	60	3.5

SSF-LXH303SOD		STANDARD	AlInGaP	Orange	610	100	60	2.0
SSF-LXH303SRD		HIGH	GaAlAs	Red	660		60	1.7
SSF-LXH303SUGD		HIGH	AlInGaP	Green	574	60	60	2.2
SSF-LXH303SYD		HIGH	AlInGaP	Yellow	590	100	60	2.0
SSF-LXH303USBD		HIGH	InGaN	Blue	470	80	60	3.5
SSF-LXH303YD		STANDARD	GaAsP	Yellow	585	30	60	2.1

PART NUMBER
SSF-LXH303YD

REV.
D

REV.	E.C.N. NUMBER AND REVISION COMMENTS	DATE
A	REDRAWN./	12-6-93
B	CHANGED DIMS./	12-16-93
C	UPDATED SAFE OPER. SPECS./	10-12-94
D	E.C.N. #10BRDR. & REDRAWN.	9-2-98



NOTES:

1. SSL-LX3044YD, YELLOW LED.
2. SSH-LXH303 HOLDER, BLACK NYLON, UL 94V-0.

ELECTRO-OPTICAL CHARACTERISTICS $T_A=25^\circ\text{C}$ $I_f=20\text{mA}$

PARAMETER	MIN	TYP	MAX	UNITS	TEST COND
PEAK WAVELENGTH		585 (YELLOW)		nm	
FORWARD VOLTAGE		2.1	2.5	V_f	
REVERSE VOLTAGE	5.0			V_r	$I_f=100\mu\text{A}$
AXIAL INTENSITY		30		mcd	$I_f=20\text{mA}$
VIEWING ANGLE		60		2x theta	
EMITTED COLOR:	YELLOW				
EPOXY LENS FINISH:	YELLOW DIFFUSED				

LIMITS OF SAFE OPERATION AT 25°C

PARAMETER	MAX	UNITS
PEAK FORWARD CURRENT*	150	mA
STEADY CURRENT	30	mA
POWER DISSIPATION	105	mW
DERATE FROM 25°C	-1.6	mW/ $^\circ\text{C}$
OPERATING, STORAGE TEMP.	-40 TO +85	$^\circ\text{C}$
SOLDERING TEMP.	+260	$^\circ\text{C}$
2.0mm FROM BODY		3 SEC. MAX

* $t < 10\mu\text{s}$

*UNLESS OTHERWISE SPECIFIED TOLERANCE IS $\pm 0.25\text{mm}$ ($\pm 0.010''$)

REV.
D

PART NUMBER
SSF-LXH303YD

CONFIDENTIAL INFORMATION
THE INFORMATION CONTAINED IN THIS DOCUMENT IS THE PROPERTY OF LUMEX INC. EXCEPT AS SPECIFICALLY AUTHORIZED IN WRITING BY LUMEX INC., THE HOLDER OF THIS DOCUMENT SHALL KEEP ALL INFORMATION CONTAINED HEREIN CONFIDENTIAL AND SHALL PROTECT SAME IN WHOLE OR IN PART FROM DISCLOSURE AND DISSEMINATION TO ALL THIRD PARTIES.

LUMEX
INCORPORATED

T-3mm (T-1) LED FAULT INDICATOR,
585nm YELLOW LED, YELLOW DIFFUSED LENS.

RELIABILITY NOTE
OUR MANY YEARS OF EXPERIENCE DATA ACCUMULATION INDICATE THAT SOLDER HEAT IS A MAJOR CAUSE OF EARLY AND FUTURE FAILURE. PLEASE PAY ATTENTION TO YOUR SOLDERING PROCESS.

DRAWN BY: BC	CHECKED BY:	APPROVED BY:	DATE: 9-11-91
			PAGE: 1 OF 1
			SCALE: N/A