



PO125-12D-1238B-2


PO125-24D-1238B-2

PO125-48D-1238B-2

Features

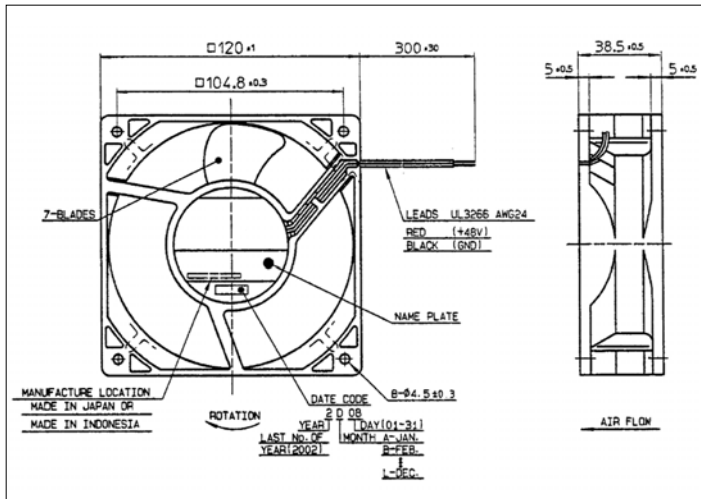
- Size: 120 x 120 x 38.5 mm
(4.7" x 4.7" x 1.5")
- Airflow: 125 CFM
- Weight: 0.25 kilograms
- Lead Wire: AWG24
- Impeller/Frame: Reinforced Plastic
- Bearings: Sealed Ball

 UL E48889

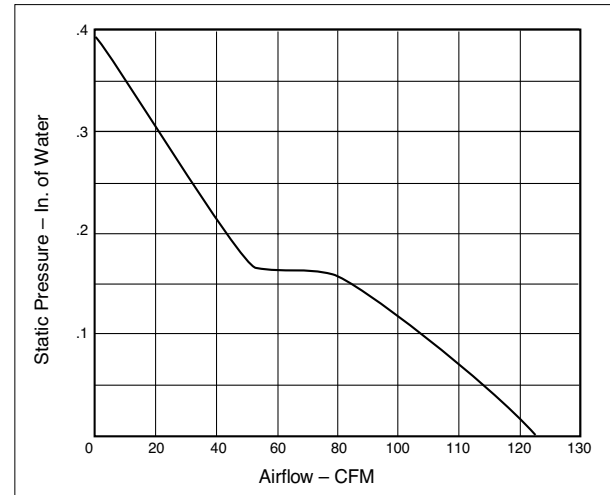
 CSA LR49399
CSA LR108118

• RoHS Compliant

Dimensions – inches mm



Air Flow vs Air Pressure



Performance

Type	Rated Voltage (V)	Rated Current (A)		Max Air Flow (CFM)	Max Air Pressure (In H ₂ O)	Noise* (dBA)	Operating Voltage (V)	Operating Temp. (°C)	Life Expectancy (Hr) (@ 25°C ±20°)
		Locked	Moved						
PO125-12D-1238B-2	12	1.37	0.44	125	0.40	52	12~27.6	-20 ~ +70	60,000
PO125-24D-1238B-2	24	0.37	0.14	125	0.40	52	24~55.2	-20 ~ +70	60,000
PO125-48D-1238B-2	48	0.47	0.24	116.5	0.37	53	24~55.2	-20 ~ +70	60,000

*Measured 1 m from intake

Product specifications contained herein may be changed without prior notice.

It is therefore advisable to contact Purdy Electronics before proceeding with the design of equipment incorporating this product.