



PO025-12D-3B-2 PO025-24D-3B-2

Features

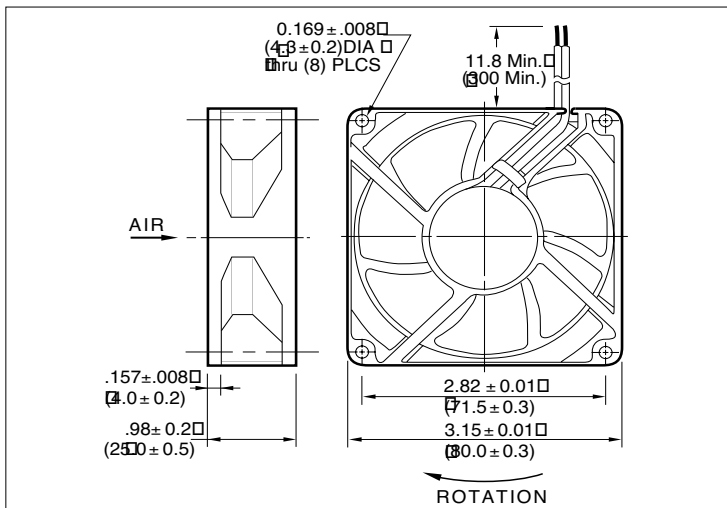
Size:	80 x 80 x 25 mm (3.2" x 3.2" x 1.0")
Airflow:	27 CFM
Weight:	85 grams (3.0 oz)
Noise:	25 dBA
Lead Wire:	AWG24 (UL1007, CSA TR-64)
Impeller/Frame:	Reinforced Plastic (UL94V-0)
Bearings	Sealed Ball

 UL E101153

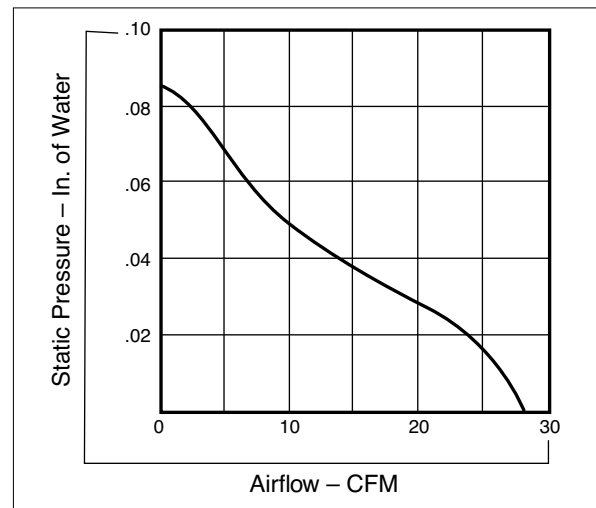
 CSA LR74525

• RoHS Compliant

Dimensions – inches (mm)



Air Flow vs Air Pressure



Performance

Type	Rated Voltage (V)	Rated Current (A)		Max Air Flow (CFM)	Max Air Pressure (In H ₂ O)	Noise* (dBA)	Operating Voltage (V)	Operating Temperature (°C)	Life Expectancy (Hr) (@ 20°C ±15°)
		Locked	Moved						
PO025-12D-3B-2	12	.200	.080	27	0.10	25	6~13.8	-20~ +70	60,000
PO025-24D-3B-2	24	.100	.040	27	0.10	25	10~27.6	-20~ +70	60,000

*Measured 1 m from intake

Product specifications contained herein may be changed without prior notice.

It is therefore advisable to contact Purdy Electronics before proceeding with the design of equipment incorporating this product.

Distributed by Electro-Stock, Inc. sales@electrostock.com 630-682-1542 Fax 630-682-1562
http://www.electrostock.com