





PO003-05D-1B-3**

PO003-12D-1B-3

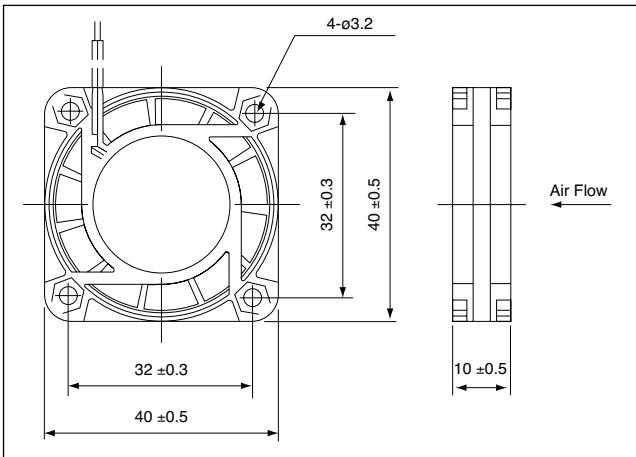
Features

- Size: 40 x 40 x 10 mm (1.6" x 1.6" x 0.39")
- Airflow: 3.5 CFM (12V)
- Weight: 18 g (0.64 oz)
- Noise: 30 dBA
- Lead Wire: AWG26 (UL2555, UL2468)
- Impeller/Frame: Reinforced Plastic (UL94V-0)
- Bearings: Sealed Ball
- Note: **5V available under special order and is subject to lead time

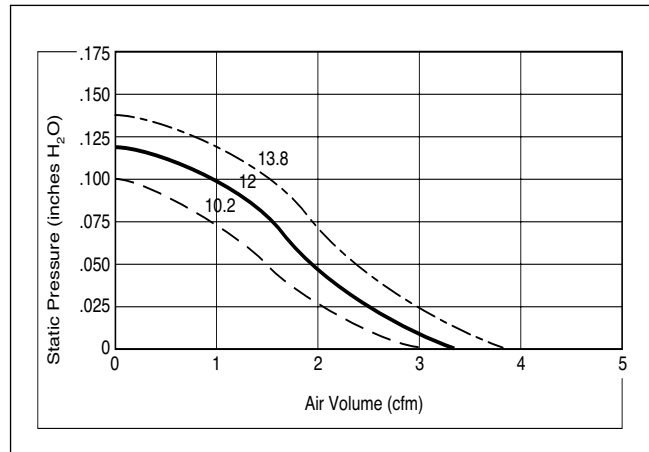
 UL E101153

 CSA LR83514

Dimensions – mm



Air Flow vs Air Pressure



Performance

Type	Rated Voltage (V)	Rated Current (A)		Max Air Flow (CFM)	Max Air Pressure (In H ₂ O)	Noise* (dBA)	Operating Voltage (V)	Operating Temperature (°C)	Life Expectancy (Hr) (@ 25°C)
		Locked	Moved						
PO003-05D-1B-3**	5	0.20	0.18	2.8	.091	30	10.2~13.8	-10~ +60	50,000
PO003-12D-1B-3	12	0.12	0.10	3.5	.120	30	10.2~13.8	-10~ +60	50,000

* Measured 1 m from side of fan

** Note: 5V available under special order.