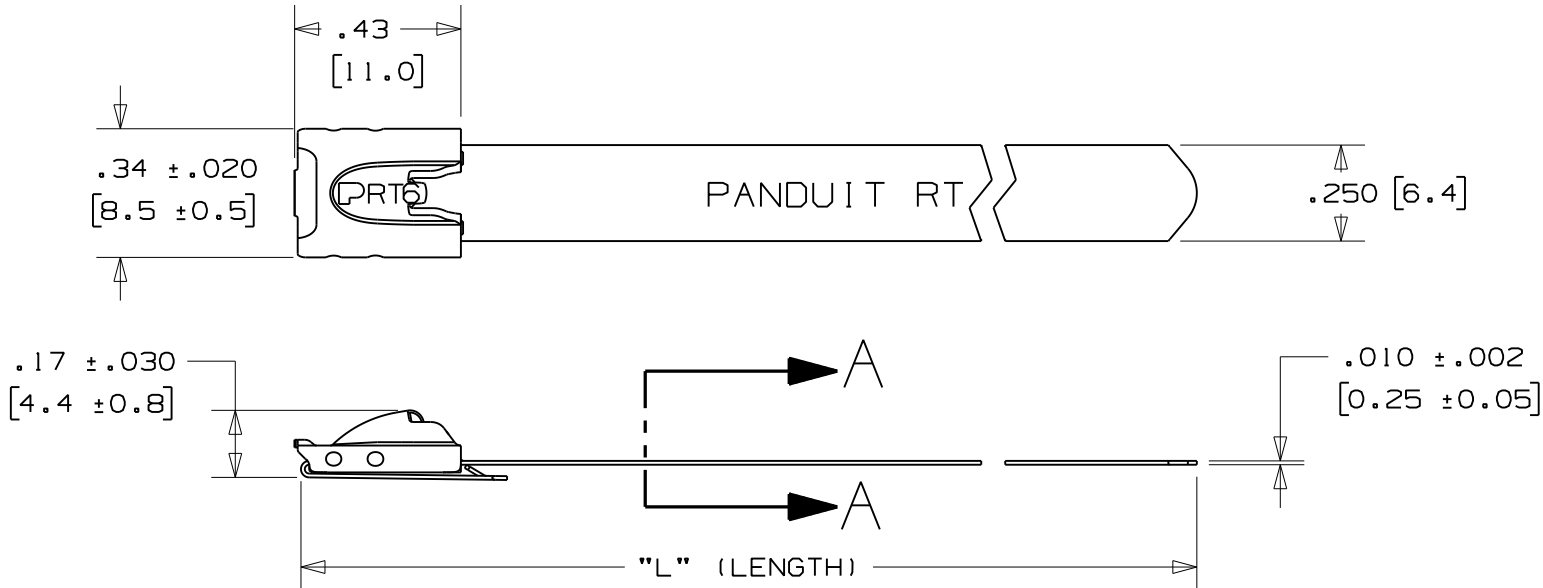


THIS COPY IS PROVIDED ON A RESTRICTED BASIS AND IS NOT TO BE USED IN ANY WAY DETRIMENTAL TO THE INTERESTS OF PANDUIT CORP.

PANDUIT PART NO.	PACKAGE QTY.	MAX. BUNDLE DIAMETER	LENGTH "L" ±.3" [7]
MRT1.5LH-L6	50	1.5" [38]	9.7" [246]
MRT2LH-L6	50	2" [51]	11.3" [287]
MRT4LH-L6	50	4" [102]	17.6" [447]
MRT6LH-L6	50	6" [152]	23.8" [604]




FULLY ROUNDED EDGES ALONG STRAP BODY

SECTION A - A
SCALE 6:1

NOTES:

- 1.) APPLICATION TOOLS - MRT1LS
- 2.) MINIMUM LOOP TENSILE STRENGTH - 225 LBS. (1000 NEWTONS) WHEN TESTED ON A 1.5" MANDREL.
- 3.) [] DENOTES DIMENSION IN MILLIMETERS
- 4.) TOLERANCES:
 .XXX = ±.010 [.25]
 .XX = ±.02 [.5]
 .X = ±.03 [.8]
 ANGLES = ±2°
- 5.) MATERIAL: 316 STAINLESS STEEL

N41250BS_DC/03A

03A	11/07	JAMB	EJD	ORIG.CAD FILE SPEC.& DWG.NO.WAS S41250_02 ADDED PART NO.MRT1.5LH-L6 TO PART TABLE	-----	 PANDUIT TM TINLEY PARK, ILLINOIS			
02	7/07	JMMR	EJD	APPLICATION TOOLS WERE MRT1 & PRT1	-----				
01	1/07	JAMB	EJD	REMOVED PARTS MRT8LH-L6 & MRT10LH-L6	SS00317	METAL TIE RETAINED TENSION - LIGHT/HEAVY SERIES 316 STAINLESS STEEL			
00	11/06	JAMB	EJD	DRAWING RELEASED	SS00266				
REV	DATE	BY	CHK	DESCRIPTION	ECN #	DRAWN BY JAMB	CHK'D EJD	SCALE 2:1	DRAWING NO. N41250BS_DC