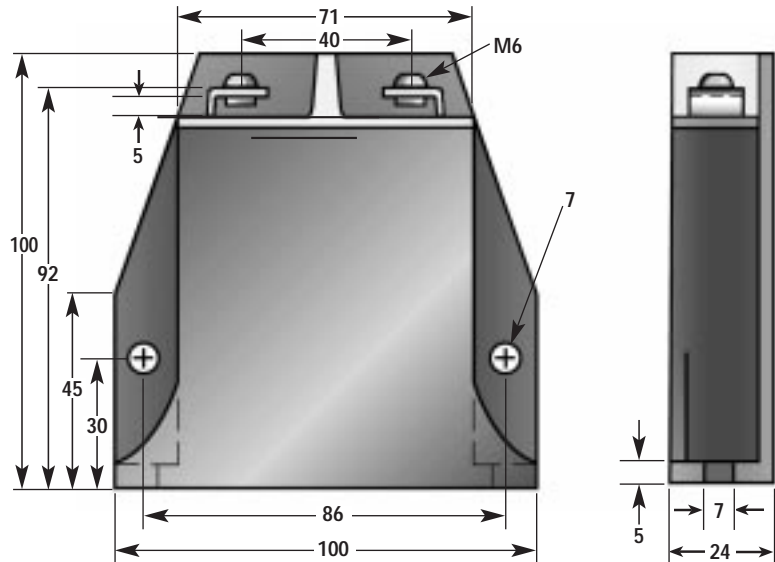


Z60M Series



130-880 Volts RMS

METAL OXIDE VARISTORS



All dimensions are in millimeters

Part Number and Device Branding	Maximum Ratings (85°C)				Specifications (25°C)				
	Continuous		Transient		Varistor Voltage AT 1 _{mA} DC Test Current			Max Clamping Volt V _C at 200A Current (820/20 μs)	Typical Capacitance
	V _{RMS}	V _{DC}	Energy	Peak Current (8/20 μs)	Min	Nominal	Max	V _{CLAMP}	f = 1MHz
	V _{M(AC)} (V)	V _{M(DC)} (V)	W _(TM) (J)	I _(TM) (A)	(V)	(V)	(V)	(V)	(pF)
Z60M201	130	175	450	50000	184	200	228	340	20000
Z60M241	150	200	530	50000	212	240	268	400	16000
Z60M391	250	330	880	50000	354	390	429	620	10000
Z60M431	275	369	950	50000	389	430	473	680	9000
Z60M511	320	420	1100	50000	462	510	561	760	7500
Z60M681	420	560	1500	70000	610	680	748	1060	6000
Z60M751	480	640	1600	70000	670	750	825	1160	5500
Z60M821	510	675	1800	70000	735	820	910	1300	5000
Z60M911	575	730	2100	70000	805	910	1000	1420	4500
Z60M112	680	895	2300	70000	990	1100	1210	1640	4000
Z60M122	750	970	2600	70000	1080	1200	1320	1880	3500
Z60M152	880	1150	3200	70000	1290	1500	1650	2340	3500



CKE - 1000 Lucerne Road ■ Lucernemines, PA 15754 ■ Telephone: (724) 479-3533 ■ Fax: (724) 479-3537
 E-mail: info@cke.com ■ Website: www.cke.com

CKE specializes in the design, development and manufacture of Silicon, Selenium, SCR, Thyristor and MOV custom assemblies and applications.

Our experienced engineers and our advanced technology provide the most economical and highest quality available.