



Z60M Series



FIGURE 66

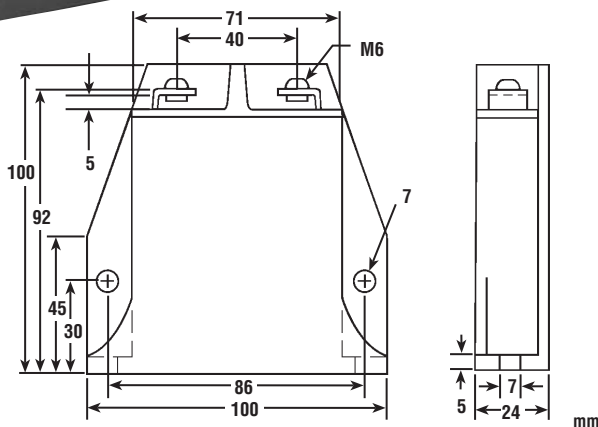
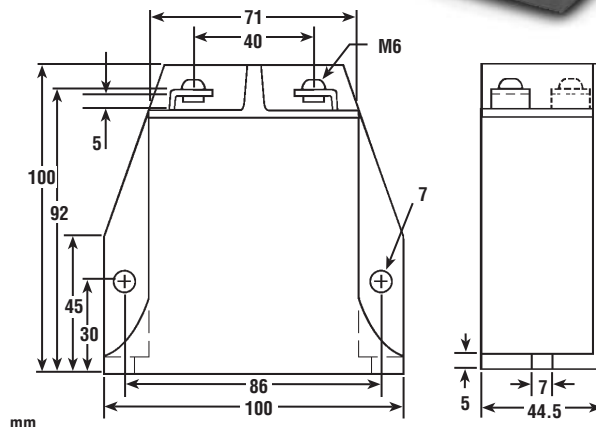


FIGURE 71



CKE Part Number	Voltage Ratings				Energy Max. Joules	Maximum Operating Conditions			Typical Capacitance pF	Figure
	VAC	VDC Volts RMS	Varistor Peak Voltage			Max. Clamping Voltage		Peak Current (8x20 μ s) Amps		
			Volts	Min. Volts		Volts	Amp.			
⚡ Z60M201	130	175	184	228	490	340	500	70000	14000	66
⚡ Z60M241	150	200	212	268	570	400	500	70000	10000	66
⚡ Z60M271	175	225	243	297	630	455	500	70000	10000	66
⚡ Z60M331	210	275	297	363	680	550	500	70000	8500	66
⚡ Z60M361	230	300	324	396	730	595	500	70000	7700	66
⚡ Z60M391	250	330	354	429	880	620	500	70000	7100	66
⚡ Z60M431	275	369	389	473	950	680	500	70000	6600	66
⚡ Z60M471	300	385	423	517	1000	775	500	70000	5900	66
⚡ Z60M511	320	420	462	539	1100	760	500	70000	5700	66
⚡ Z60M621	385	505	558	682	1300	1025	500	70000	4600	66
⚡ Z60M681	420	560	610	748	1500	1060	500	70000	4400	66
⚡ Z60M751	480	640	670	825	1600	1160	500	70000	3900	66
⚡ Z60M781	485	640	702	858	1650	1290	500	70000	3800	66
⚡ Z60M821	510	675	735	910	1800	1300	500	70000	3500	66
⚡ Z60M911	575	730	805	1000	2100	1420	500	70000	3300	66
⚡ Z60M951	580	760	855	1045	2100	1500	500	70000	3100	66
⚡ Z60M102	660	850	940	1160	2300	1640	500	70000	2900	66
⚡ Z60M112	680	895	990	1210	2300	1640	500	70000	2700	66
⚡ Z60M122	750	970	1080	1320	2600	1880	500	70000	2400	66
⚡ Z60M142	880	1150	1260	1540	3200	2290	500	70000	2100	66
⚡ Z60M162	900	1200	1440	1760	3300	2700	500	70000	1800	66
⚡ Z60M182	1100	1400	1620	2060	3800	2940	500	70000	2200	66
⚡ Z60M222	1400	1750	2020	2550	5000	3600	500	70000	1800	71
⚡ Z60M272	1700	2150	2500	3030	6000	4300	500	70000	1500	71
⚡ Z60M332	2000	2500	2970	3630	7500	5200	500	70000	1200	71
⚡ Z60M392	2400	3000	3510	4290	8600	6200	500	70000	1000	71
⚡ Z60M472	2800	3500	4230	5170	10000	7400	500	70000	800	71

Maximum Power Dissipation: Z60M - 2.5 watts

MOVs having the Underwriters Laboratory Recognized Component Mark, ⚡, conform to UL 1414, UL1449 second edition and CSA class 222101. CKE's UL recognized parts are listed on file #E90510. Typical response time is less than 15 nanoseconds.

All parts RoHS compliant