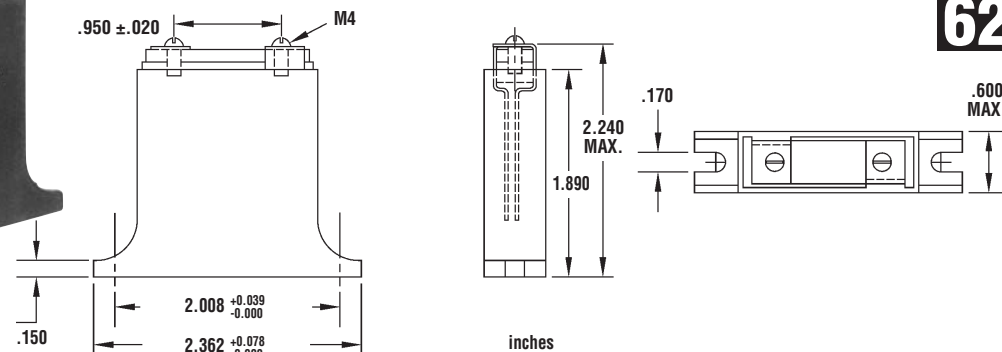




Z33M & Z40M Series

FIGURE 62



CKE Part Number	Voltage Ratings				Energy Joules	Maximum Operating Conditions			Typical Capacitance pF	Figure
	VAC Volts RMS	VDC Volts	Varistor Peak Voltage			Max. Clamping Voltage		Peak Current (8x20 $\mu$ s) Amps		
			Min.	Max.		Volts	Amp.			
			Volts	Volts		Volts	Amp.			
<b>Z33M Series</b>										
☞ Z33M201	130	170	180	220	210	340	200	25000	4100	62
☞ Z33M241	150	200	216	264	240	395	200	25000	3400	62
☞ Z33M271	175	225	243	297	255	455	200	25000	2900	62
☞ Z33M331	210	275	297	363	320	550	200	25000	2600	62
☞ Z33M361	230	300	324	396	325	595	200	25000	2300	62
☞ Z33M391	250	320	351	429	350	650	200	25000	2100	62
☞ Z33M431	275	350	387	473	400	710	200	25000	2000	62
☞ Z33M471	300	385	423	517	405	775	200	25000	1700	62
☞ Z33M511	320	415	459	561	415	845	200	25000	1600	62
☞ Z33M621	385	505	558	682	425	1025	200	25000	1300	62
☞ Z33M681	420	560	612	748	450	1120	200	25000	1300	62
☞ Z33M751	460	615	675	825	500	1240	200	25000	1100	62
☞ Z33M781	485	640	702	858	520	1290	200	25000	1100	62
☞ Z33M821	510	670	738	902	545	1355	200	25000	1000	62
☞ Z33M911	550	745	819	1001	600	1500	200	25000	950	62
☞ Z33M951	580	760	855	1045	600	1500	200	25000	900	62
☞ Z33M102	625	825	900	1100	655	1650	200	25000	840	62
☞ Z33M112	680	895	990	1210	725	1815	200	25000	770	62
<b>Z40M Series</b>										
☞ Z40M201	130	170	180	220	310	340	300	40000	7900	62
☞ Z40M241	150	200	216	264	360	395	300	40000	6600	62
☞ Z40M271	175	225	243	303	380	455	300	40000	5600	62
☞ Z40M331	215	275	297	363	430	545	300	40000	5000	62
☞ Z40M361	230	300	324	396	460	595	300	40000	4400	62
☞ Z40M391	250	320	351	429	490	650	300	40000	4100	62
☞ Z40M431	275	350	387	473	550	710	300	40000	3800	62
☞ Z40M471	300	385	423	517	590	775	300	40000	3400	62
☞ Z40M511	320	415	459	561	640	845	300	40000	3200	62
☞ Z40M621	385	505	558	682	800	1025	300	40000	2600	62
☞ Z40M681	420	560	612	748	830	1120	300	40000	2400	62
☞ Z40M751	460	615	675	825	850	1240	300	40000	2200	62
☞ Z40M781	485	640	702	858	890	1290	300	40000	2100	62
☞ Z40M821	510	670	738	902	920	1355	300	40000	2000	62
☞ Z40M911	550	745	819	1001	960	1500	300	40000	1800	62
☞ Z40M951	580	760	855	1045	1000	1500	300	40000	1700	62
☞ Z40M102	625	825	900	1100	1020	1650	300	40000	1600	62
☞ Z40M112	680	895	990	1210	1100	1815	300	40000	1500	62

Maximum Power Dissipation: Z33M - 1.5 watts, Z40M - 2.0 watts

MOV's having the Underwriters Laboratory Recognized Component Mark, ☞, conform to UL 1414, UL1449 second edition and CSA class 222101. CKE's UL recognized parts are listed on file #E90510. Typical response time is less than 15 nanoseconds. All parts RoHS compliant