

STEPPING MOTOR FAMILY

Series PAS, PBS Geared Stepping Motor



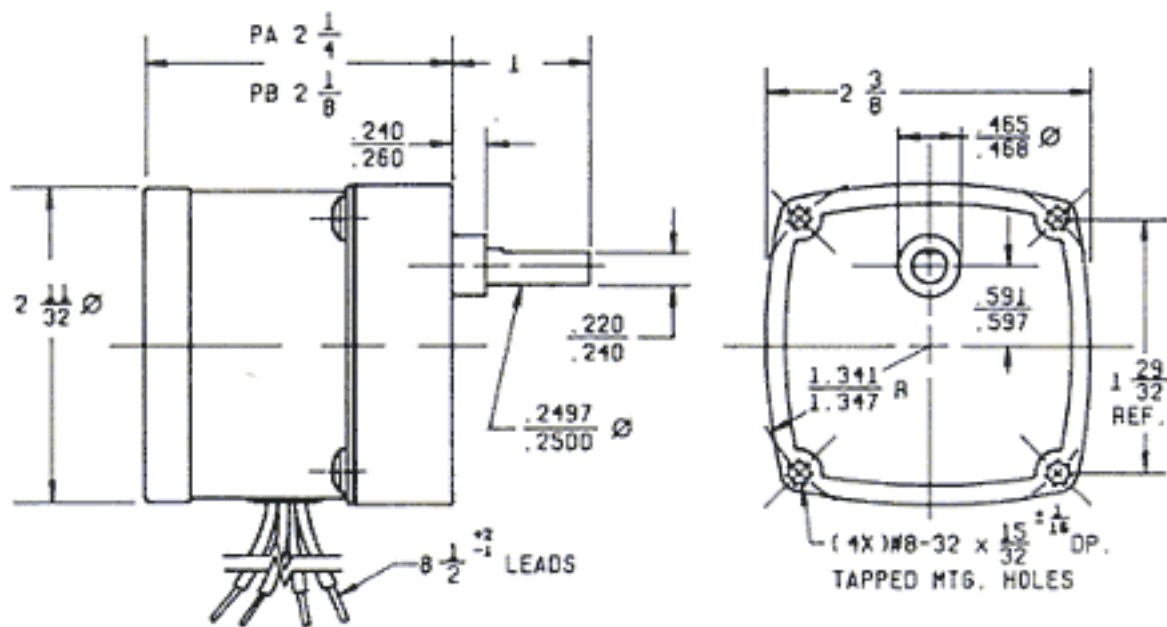
PAS and PBS Geared Motors are available with standard or high-torque rotors. The wide range of gear reductions allows the user to get a motor that exactly fits each application. Voltages other than those shown as well as 2-phase bipolar windings may be specified.

All gears are hobbled to AGMA 7 standards. Pinions are extruded from a special steel with a modified long addendum tooth form to provide higher strength. Both pinion and gear teeth are case hardened for wear resistance and rotate upon hardened and ground steel studs. Synthetic lubrication is used throughout.

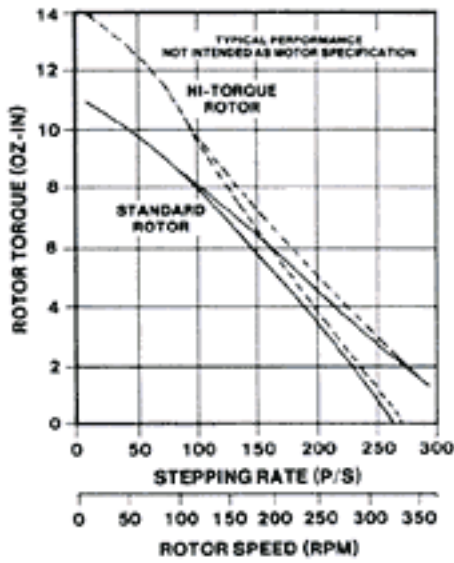
Notes:

- Sleeve bearings are standard. Ball bearings may be specified.
- Maximum recommended gear train loading is 200 oz. - in.

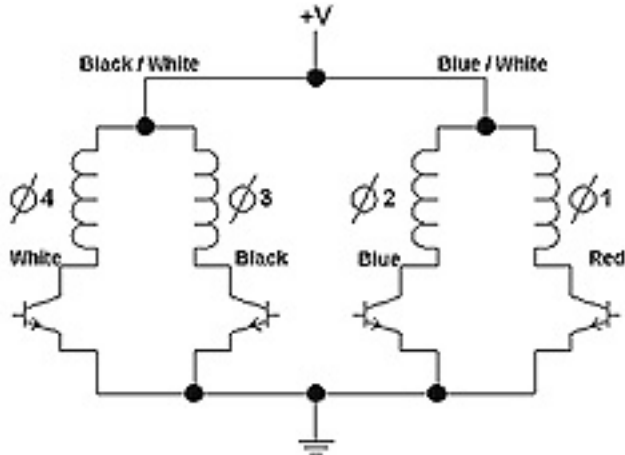
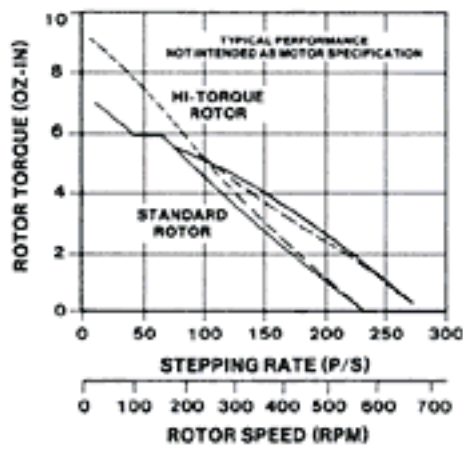
PAS, PBS Geared



**MODELS PAS 3205-001 AND PAS 3229-002
UNIPOLAR L/R DRIVE**



**MODELS PBS 3207-001 AND PBS 3231-002
UNIPOLAR L/R DRIVE**



$\phi 4$	$\phi 3$	$\phi 2$	$\phi 1$
White	Black	Blue	Red

CCW ROTATION ↑	1	0	1	0
	1	0	0	1
	0	1	0	1
	0	1	1	0
↓ CW ROTATION				

1 = ON, 0 = OFF

SWITCHING SEQUENCE



To purchase one of the motors listed below, you must be logged into your MyHurst account, then simply click the part number to add the item to your Shopping Cart!

▣
Hurst Manufacturing, Princeton, IN 812-385-2564
www.hurstmfg.com