

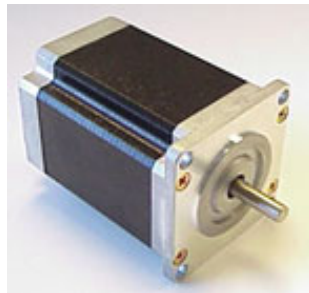
[Part Number Search](#)[Home](#)[Company Overview](#)[Products](#)[Technical Help](#)[Contact Us](#)[Legal](#)[Order-On-Line, Application Notes, On-Line Services](#)**MOTORS**

[Brushless DC](#)
[Synchronous](#)
[Stepping](#)
[Hybrid Stepper](#)
[Induction](#)
[Brushed DC](#)
[Linear](#)

CONTROLLERS**CAPACITORS**

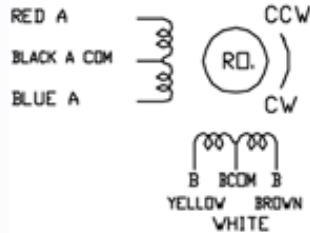
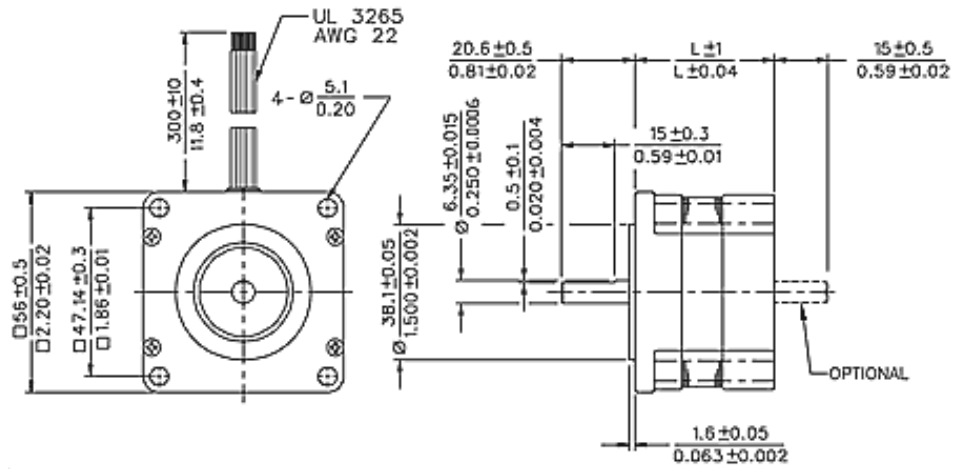
HYBRID STEPPER MOTOR FAMILY

Series H23S Hybrid Stepper Motor



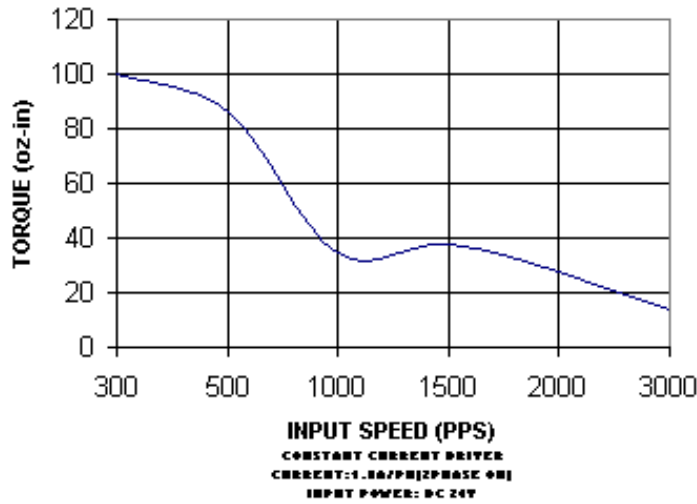
Mounting Flange:	NEMA 23
Step angle:	1.8°
Positional Accuracy:	± 5% max.
Number of Phases:	2 or 4 (4 Phase standard)
Temperature Rise:	80°C max
Insulation Resistance:	100M ohms at 500VDC for 1 minute
Dielectric Strength:	800VAC for 1 minute
Insulation Class:	Class B
Number of lead wires:	4, 5, 6 or 8 (8 Lead standard)
Lead wire:	UL3265 or UL1007 AWG#22
Operation Ambient Temp:	-10°C ~ +50°C
Radial Play:	0.03 mm max at 0.5 kg load
Axial Play:	0.08 mm max at 0.7 kg load

DIMENSIONS • $\frac{\text{MILLIMETERS}}{\text{INCHES}}$



Full Step (2 Phase)				
CW Rotation viewing Mounting End				
Step	A (Red)	B (Yellow)	/A (Blue)	/B (Brown)
0	On	On		
1		On	On	
2			On	On
3	On			On
4	On	On		

H23S073454



*Note: Typical Performance Data generated using full step, uni-polar controller with parallel connection

[Change to Metric](#)

[View Printable Format \(Data Sheet\)](#)

[View Printable Format \(Parts Table\)](#)

To purchase one of the motors listed below, you must be logged into your MyHurst account, then simply click the part number to add the item to your Shopping Cart!

Model	Part Number	Step Angle (degrees)	Holding Torque (oz-in)	Detent Torque (oz-in)	Input Power (watts)	Nominal Voltage (VDC)	Winding Resistance (ohms)	Rated Inductance (mh)	Rotor Inertia (oz-in ²)	Ambient Temp Range °C	Full Load Temp. Rise °C	Case Length (in)	Weight (oz)
H23S	H23S073454	1.8	111.2	3.5	14.6	7.3	7.3	14	1.26	-10 _i to +50 _i	80	2.125	23