

[Part Number Search](#)[Home](#)[Company Overview](#)[Products](#)[Technical Help](#)[Contact Us](#)[Legal](#)[Order - On-Line,
Application Notes,
On-Line Services](#)**MOTORS**

[Brushless DC](#)
[Synchronous](#)
[Stepping](#)
[Hybrid Stepper](#)
[Induction](#)
[Brushed DC](#)
[Linear](#)

CONTROLLERS**CAPACITORS**

SYNCHRONOUS MOTOR FAMILY

Series SA, SB Geared Synchronous Motor

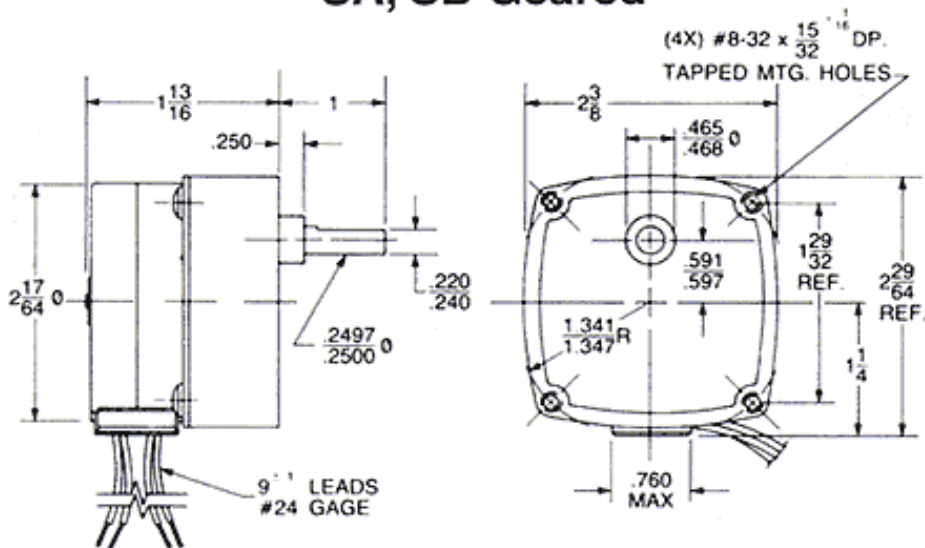


All gears are hobbled to AGMA 7 standards. Pinions are extruded from special steel with a modified long addendum tooth form to provide higher strength. Pinions are held to the same AGMA 7 quality level as the gears. Both pinion and gear teeth are case hardened for wear resistance and rotate upon hardened and ground steel studs.

Notes:

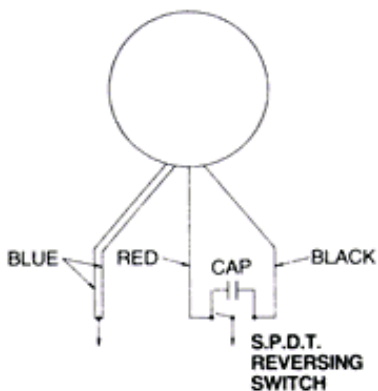
- Standard motors are 115v, 60Hz. Sleeve bearings are standard but ballbearings as well as other voltages and frequencies may be specified.
- Capacitors are required for operation and must be used in the circuit even is the motor is used in a unidirectional model.
- Capacitors are furnished with 115V motors.

SA, SB Geared



*Dimensions are in inches

Wiring Diagram



Current applied to the blue and red leads produces CW rotation. Switching the current to the blue and black leads produces CCW rotation.

[Change to Metric](#)

[View Printable Format \(Data Sheet\)](#)

[View Printable Format \(Parts Table\)](#)

To purchase one of the motors listed below, you must be logged into your MyHurst account, then simply click the part number to add the item to your Shopping Cart!

Model	Part Number	Reduction	Rated Torque @ 175 p/s (oz-in)	Holding Torque (oz-in)	Detent Torque (oz-in)	Output Speed (RPM)	Input Power (watts)	Voltage (VAC) 60HZ	Capacitor Value (mfd)	Weight (oz)
SA	4002-010	30	126			10	5.5	115	0.5	16