

## TSRI-JBD

Dual gang junction box - Ivory

Article Number: 250-10008

Part Number: TSRI-JBD

Type: TSR-JBD

Material: PVC



### 1. Base Data

---

**Part No.** TSRI-JBD

**Type** TSR-JBD

**Color** Ivory

**Features** HellermannTyton's low voltage TSR surface raceway system is a one piece latching duct designed to contain, route and protect wire and cable when it is not feasible to run it within the wall. It is manufactured from a 94 V-0 PVC and features a superior adh

## 2. Product Dimensions

---

Length (L) 4.83 "

Width (W) 4.91 "

Height (H) 1.5 "

## 4. Material and Specifications

---

Material Polyvinylchloride (PVC)

Material Shortcut PVC

## Logistic and Packaging

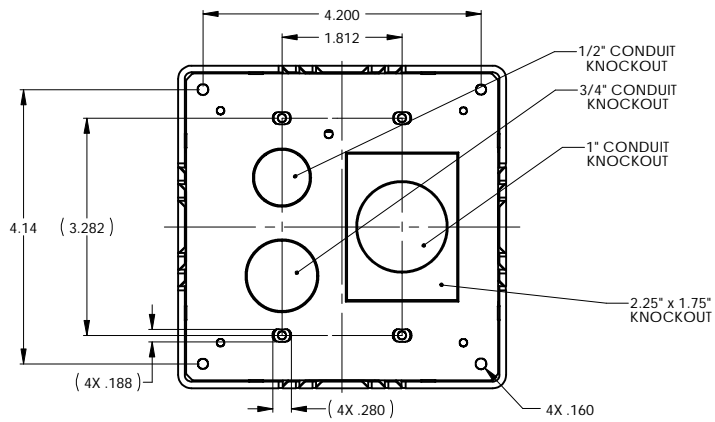
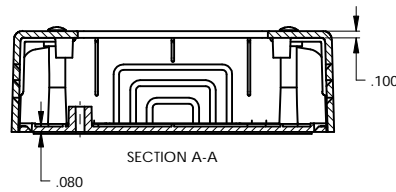
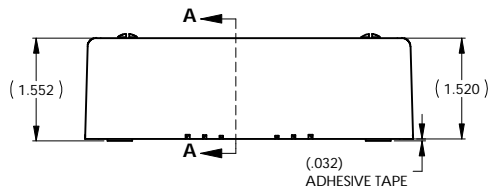
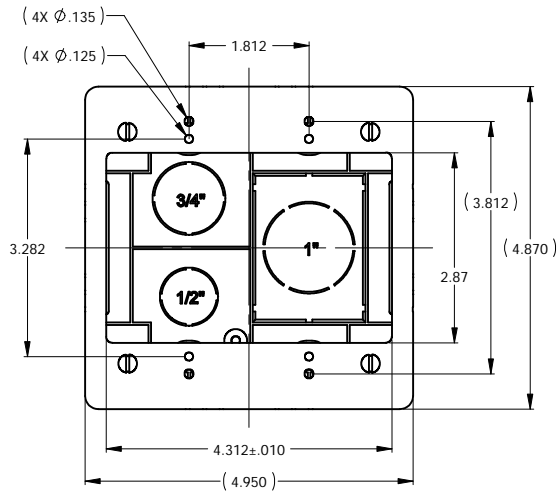
---

Packaging Type bag

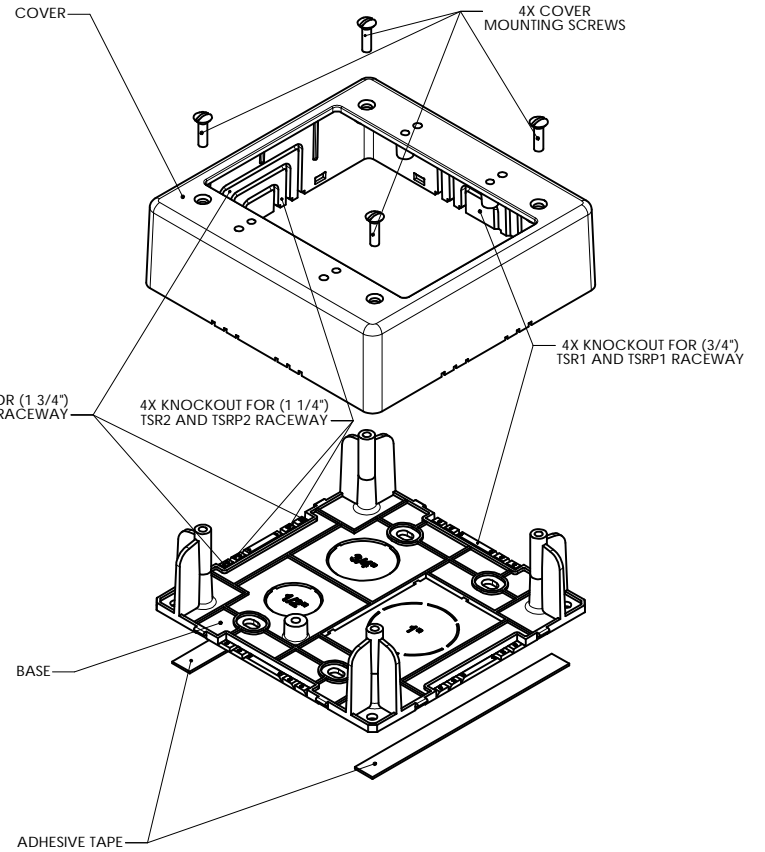
Pkg. Qty. 1

Minimum Order Quantity 1

UPC 08930610092



BOTTOM VIEW SHOWN WITHOUT ADHESIVE TAPE



**PART NO. DESCRIPTION**

TSRP -JBD

COLOR:  
I = IVORY  
FW = OFFICE WHITE  
W = WHITE

TSRP -JBD	POWER-RATED SYSTEM
TSR -JBD	LOW VOLTAGE SYSTEM
<b>PART NO.</b>	<b>DESCRIPTION</b>

REDUCED  
NO SCALE

**HellermannTyton**  
A SPIRENT Company

**NOTES**

- FEATURES**
1. ADHESIVE BACKED BASE FOR EASY PLACEMENT OF BOX DURING ASSEMBLY
  2. SCREWS PROVIDED FOR MOUNTING OF COVER TO BASE
  3. KNOCKOUT ENTRIES FOR ALL 3 SIZES OF TSR AND TSRP RACEWAY
  4. LOW PROFILE
  5. PAINTABLE WITH LATEX BASED PAINT
  6. FACE PLATE MOUNTS TO COVER DIRECTLY FOR EASY ACCESS
  7. TWO DIFFERENT SETS OF MOUNTING HOLES FOR SURFACE MOUNT OR FOR MOUNTING DIRECTLY TO A FLUSH WALL JUNCTION BOX VIA LARGE RECTANGULAR KNOCKOUT IN BASE
  8. BASE IS RIBBED FOR STABILITY

**REVISION**

level	01
by	PLN
date	07/17/02
ECN #	003274
part level	-

TOLEERANCE	.XXXX = ±.0005
	.XXX = ±.005
	.XX = ±.01
	.X = ±.03
	∠ = ±0.5°
units	inches

number	SEE CHART	phase	PRODUCTION
name	TSR-JBD & TSRP-JBD DUAL GANG JUNCTION BOX SURFACE RACEWAY CONNECTOR		
material	PVC		

format	C	cao	SW	scale	3:4
compute file number	DT3026305CST_01	previous number			
drawn	K.A.C.	checked		approved	
date	04/30/02				
type	CUSTOMER	sheet	1 of 1		
number	DT3026305CST				