

TSRI-JB2

Single gang junction box - 2" deep - Ivory

Article Number: 250-10005

Part Number: TSRI-JB2

Type: TSR-JB2

Material: PVC



1. Base Data

Part No. TSRI-JB2

Type TSR-JB2

Color Ivory

Features HellermannTyton's low voltage TSR surface raceway system is a one piece latching duct designed to contain, route and protect wire and cable when it is not feasible to run it within the wall. It is manufactured from a 94 V-0 PVC and features a superior adh

2. Product Dimensions

Length (L) 4.75 "

Width (W) 3 "

Height (H) 2 "

4. Material and Specifications

Material Polyvinylchloride (PVC)

Material Shortcut PVC

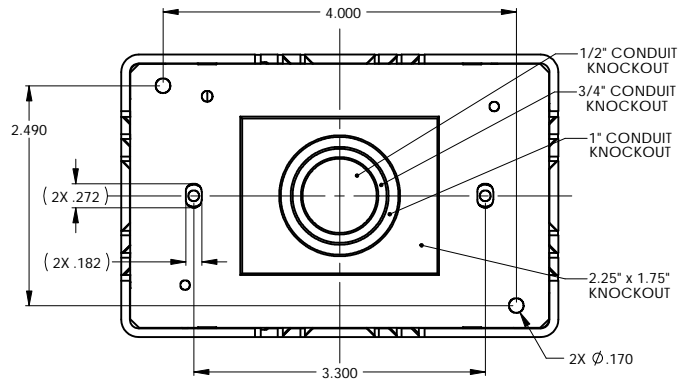
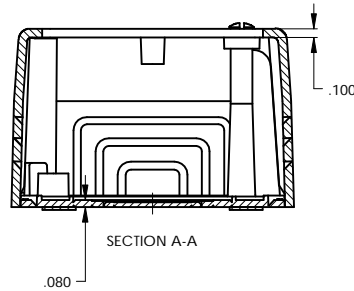
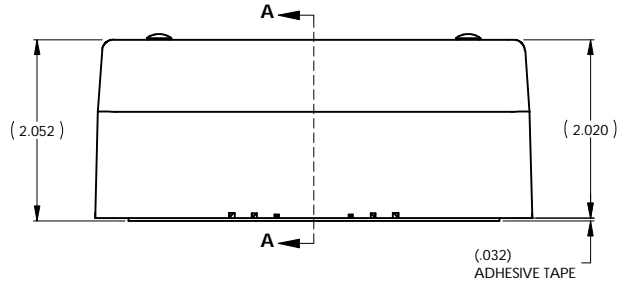
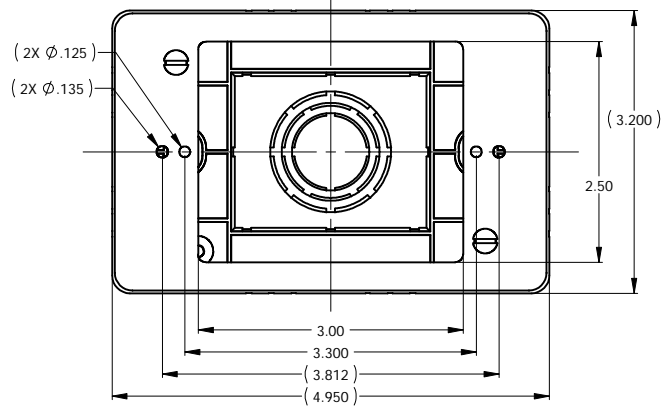
Logistic and Packaging

Packaging Type bag

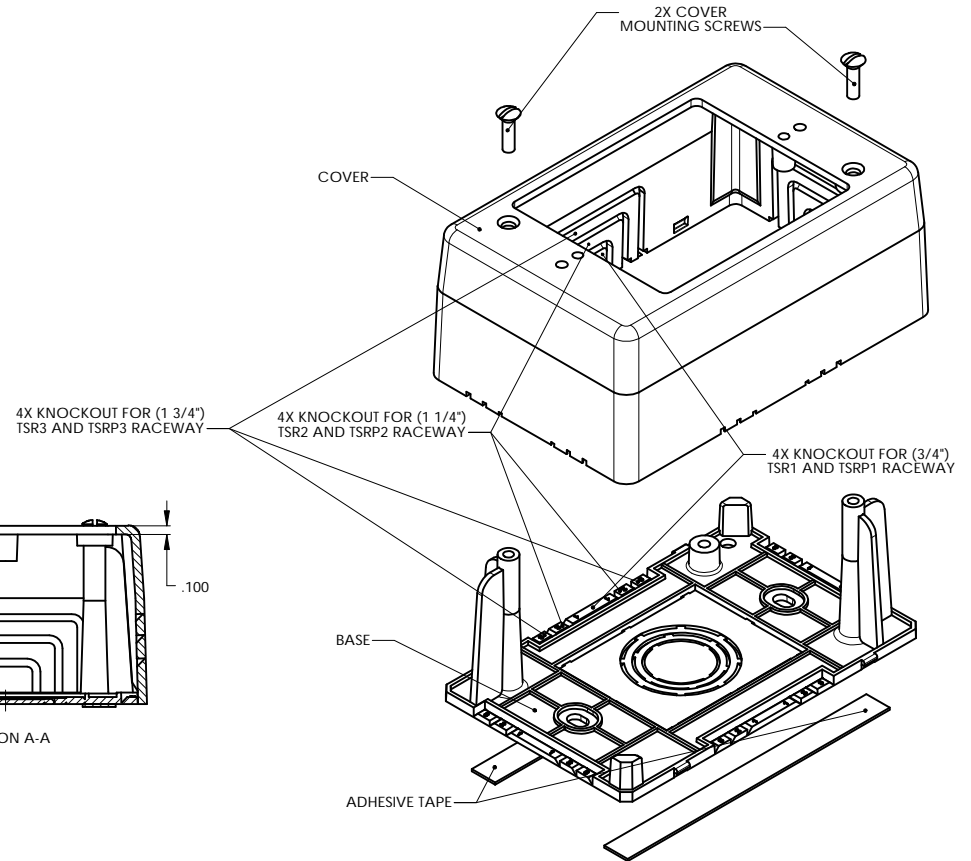
Pkg. Qty. 1

Minimum Order Quantity 1

UPC 08930610091



BOTTOM VIEW SHOWN WITHOUT ADHESIVE TAPE



PART NO. DESCRIPTION

TSR -JB2

COLOR:
I = IVORY
FW = OFFICE WHITE
W = WHITE

TSRP -JB2	POWER-RATED SYSTEM
TSR -JB2	LOW VOLTAGE SYSTEM
PART NO.	DESCRIPTION

REDUCED
NO SCALE

HellermannTyton
A SPIRENT Company

NOTES

- FEATURES**
1. ADHESIVE BACKED BASE FOR EASY PLACEMENT OF BOX DURING ASSEMBLY
 2. SCREWS PROVIDED FOR MOUNTING OF COVER TO BASE
 3. KNOCKOUT ENTRIES FOR ALL 3 SIZES OF TSR ADN TSRP RACEWAY
 4. HIGH PROFILE
 5. PAINTABLE WITH LATEX BASED PAINT
 6. FACE PLATE MOUNTS TO COVER DIRECTLY FOR EASY ACCESS
 7. TWO DIFFERENT SETS OF MOUNTING HOLES FOR SURFACE MOUNT OR FOR MOUNTING DIRECTLY TO A FLUSH WALL JUNCTION BOX VIA LARGE RECTANGULAR KNOCKOUT IN BASE
 8. BASE IS RIBBED FOR STABILITY

REVISION	D level	01
	A	
	W by	PLN
	I date	07/17/02
	G ECN #	003274

TOLERANCES	.XXXX = ±.0005
	.XXX = ±.005
	.XX = ±.01
	.X = ±.03
	∠ = ±0.5°

PART	number	SEE CHART	phase	PRODUCTION
	name	TSR-JB2 & TSRP-JB2 JUNCTION BOX SURFACE RACEWAY CONNECTOR		
	material	PVC		

DRAWING	format	C	CAO	SW	scale	1:1
	version N					
	compute file number	DT3026301CST_01			approval number	DTVCSN\3026301A
	drawn	K.A.C.			checked	
	date	03/10/97			approved	

INVENTORS

name	date	city, state