

TSRFW-JBD

Dual gang junction box - Office White

Article Number: 250-10003

Part Number: TSRFW-JBD

Type: TSR-JBD

Material: PVC



1. Base Data

Part No. TSRFW-JBD

Type TSR-JBD

Color Office White

Features HellermannTyton's low voltage TSR surface raceway system is a one piece latching duct designed to contain, route and protect wire and cable when it is not feasible to run it within the wall. It is manufactured from a 94 V-0 PVC and features a superior adh

2. Product Dimensions

Length (L) 4.83 "

Width (W) 4.91 "

Height (H) 1.5 "

4. Material and Specifications

Material Polyvinylchloride (PVC)

Material Shortcut PVC

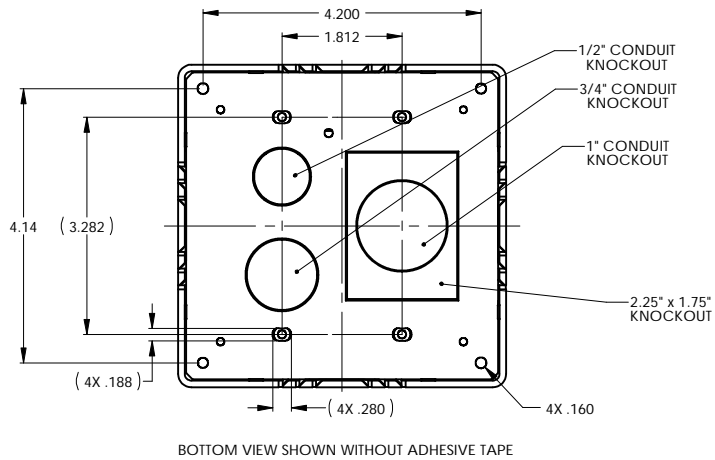
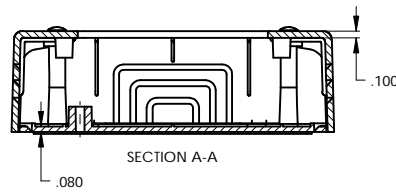
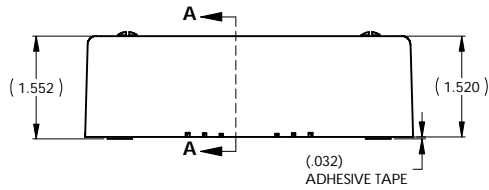
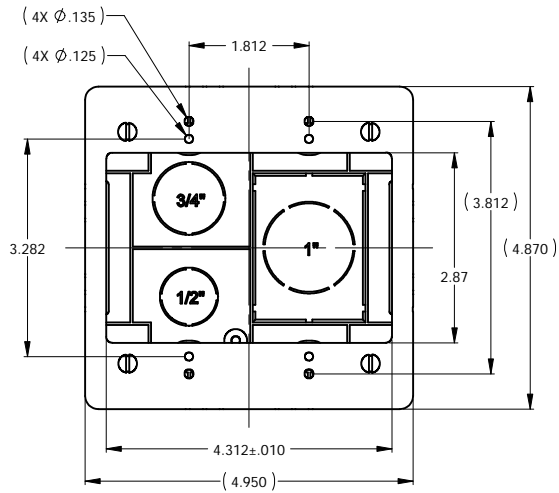
Logistic and Packaging

Packaging Type bag

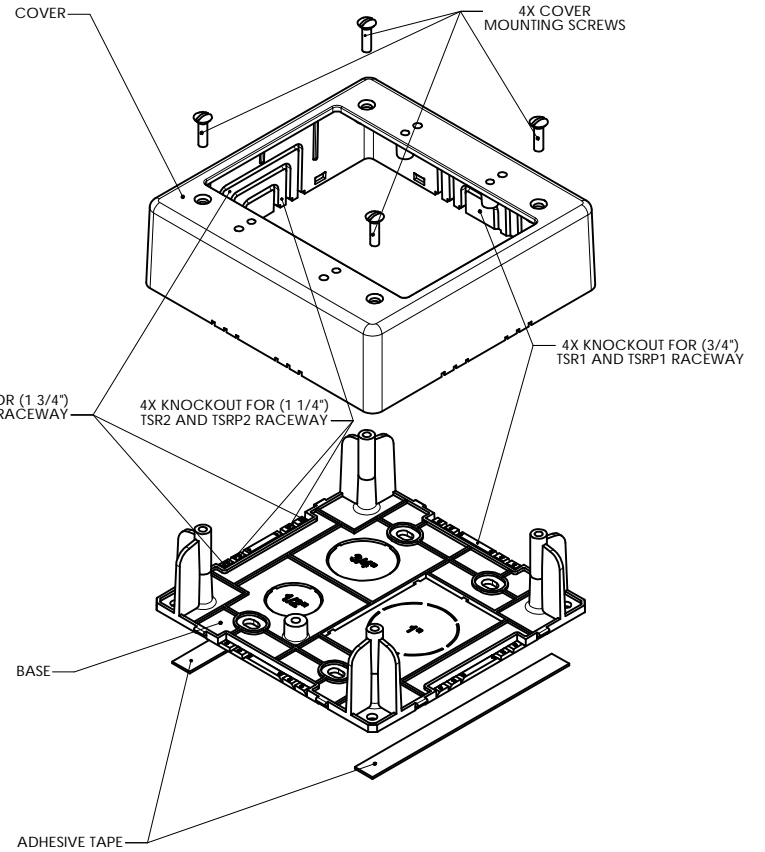
Pkg. Qty. 1

Minimum Order Quantity 1

UPC 08930618958



BOTTOM VIEW SHOWN WITHOUT ADHESIVE TAPE



PART NO. DESCRIPTION

TSRP -JBD

TSRP -JBD	POWER-RATED SYSTEM
TSR -JBD	LOW VOLTAGE SYSTEM
PART NO.	DESCRIPTION

COLOR:
I = IVORY
FW = OFFICE WHITE
W = WHITE
(FOR OTHER COLORS
CONTACT FACTORY)

REDUCED
NO SCALE

HellermannTyton

A SPIRENT Company
ALL PROPRIETARY RIGHTS IN THE SUBJECT MATTER SHOWN ON
THIS DRAWING ARE EXCLUSIVE PROPERTY OF HELLERMANNITYTON

name	date	city, state

NOTES

FEATURES

- ADHESIVE BACKED BASE FOR EASY PLACEMENT OF BOX DURING ASSEMBLY
- SCREWS PROVIDED FOR MOUNTING OF COVER TO BASE
- KNOCKOUT ENTRIES FOR ALL 3 SIZES OF TSR AND TSRP RACEWAY
- LOW PROFILE
- PAINTABLE WITH LATEX BASED PAINT
- FACE PLATE MOUNTS TO COVER DIRECTLY FOR EASY ACCESS
- TWO DIFFERENT SETS OF MOUNTING HOLES FOR SURFACE MOUNT OR FOR MOUNTING DIRECTLY TO A FLUSH WALL JUNCTION BOX VIA LARGE RECTANGULAR KNOCKOUT IN BASE
- BASE IS RIBBED FOR STABILITY

REVISION	D level 01
	A by PLN
	W by date 07/17/02
	I G ECN # 003274
	N part level -

DIMENSIONS	.XXXX = ±.0005
	.XXX = ±.005
	.XX = ±.01
	.X = ±.03
	∠ = ±0.5°
units	inches

PART	number	SEE CHART	phase	PRODUCTION
	name	TSR-JBD & TSRP-JBD DUAL GANG JUNCTION BOX SURFACE RACEWAY CONNECTOR		
	material	PVC		

DRAWING	format	C	CAO	SW	scale	3:4
	version N					
	compute file number	DT3026305CST_01				
	drawn	K.A.C.	checked			
	date	04/30/02				
type	CUSTOMER				sheet 1 of 1	
number	DT3026305CST					

TSR — Low Voltage Surface Raceway Accessories

HellermannTyton provides a complete line of fittings to manage connectivity requirements from the telecommunications room to the work area. Each size of raceway offers numerous fittings, offered in electrical ivory, white or office white, including TIA/EIA-568-B compliant 1" bend radius accessories which help ensure consistent data transmission performance of Category 5, 5e and 6 communications systems.



Designated with -50



Designated with -36



Designated with -25-1



Designated with -29-1



Designated with -14



Designated with -12



Designated with -33-1



Designated with -21-1



*Recommend using the TSRX-JB2 for voice and data applications

Product Selection

Part Number	Description	Pkg. Qty.
TSR1 Fittings		
TSR1X-14	Splice Cover – 3/4"	10
TSR1X-21-1	Tee Cover – 3/4" – 1" Bend Radius	10
TSR1X-25-1	Elbow Cover – 3/4" – 1" Bend Radius	10
TSR1X-29-1	External Corner – 3/4" – 1" Bend Radius	10
TSR1X-33-1	Internal Corner – 3/4" – 1" Bend Radius	10
TSR1X-36	End Cap – 3/4"	10
TSR1X-50	Ceiling Drop – 3/4"	10
TSR2 Fittings		
TSR2X-14	Splice Cover – 1-1/4"	10
TSR2X-21-1	Tee Cover – 1-1/4" – 1" Bend Radius	10
TSR2X-25-1	Elbow Cover – 1-1/4" – 1" Bend Radius	10
TSR2X-29-1	External Corner – 1-1/4" – 1" Bend Radius	10
TSR2X-33-1	Internal Corner – 1-1/4" – 1" Bend Radius	10
TSR2X-36	End Cap – 1-1/4"	10
TSR2X-50	Ceiling Drop – 1-1/4"	10
TSR3 Fittings		
TSR3X-14	Splice Cover – 1-3/4"	10
TSR3X-21-1	Tee Cover – 1-3/4" – 1" Bend Radius	10
TSR3X-25-1	Elbow Cover – 1-3/4" – 1" Bend Radius	10
TSR3X-29-1	External Corner – 1-3/4" – 1" Bend Radius	10
TSR3X-33-1	Internal Corner – 1-3/4" – 1" Bend Radius	10
TSR3X-36	End Cap – 1-3/4"	10
TSR3X-50	Ceiling Drop – 1-3/4"	10
Reducers		
TSR1X-12	Reducer – 1-3/4" to 1-1/4" (TSR3 to TSR2)	10
TSR2X-12	Reducer – 1-3/4" to 3/4" (TSR3 to TSR1)	10
TSR3X-12	Reducer – 1-1/4" to 3/4" (TSR2 to TSR1)	10
Junction Boxes		
TSRX-JB1	Junction Box Single Gang – 3"(W) x 4-3/4"(L) x 1-1/4"(H)	1
TSRX-JB2*	Junction Box Single Gang – 3"(W) x 4-3/4"(L) x 2"(H)	1
TSRX-JBD	Junction Box Dual Gang – 4.91"(W) x 4.83"(L) x 1-1/2"(H)	1

Replace "X" in the part number with the following letters for desired color:
 X = I (ivory), FW (office white), W (white)

Junction Boxes

Offered in a dual or single gang format, HellermannTyton's low voltage junction boxes are versatile enough for any network cabling application. Available in varying depths, these boxes are all equipped with concentric knockouts on all four sides for every TSR size of raceway which eliminates routing and installation inconvenience. All three styles of junction boxes come with adhesive strips on the back of the base and also #6 screws to secure the box to the base. See page 62 for knockout sizes and locations.