

## TSR3I-33-1

1-3/4" internal corner cover - 1" bend radius - Ivory

Article Number: 250-03334

Part Number: TSR3I-33-1

Type: TSR3-33-1

Material: PVC



### 1. Base Data

---

**Part No.** TSR3I-33-1

**Type** TSR3-33-1

**Color** Ivory

**Features** HellermannTyton's low voltage TSR surface raceway system is a one piece latching duct designed to contain, route and protect wire and cable when it is not feasible to run it within the wall. It is manufactured from a 94 V-0 PVC and features a superior adh

## 4. Material and Specifications

---

**Material** Polyvinylchloride (PVC)

**Material Shortcut** PVC

## Logistic and Packaging

---

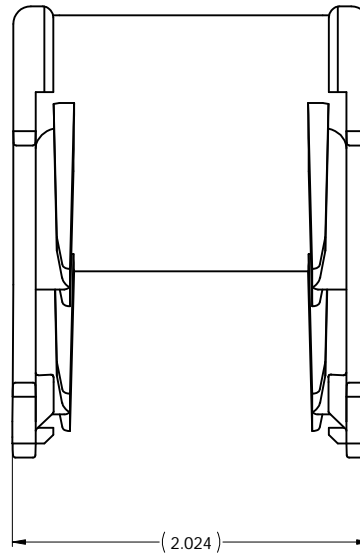
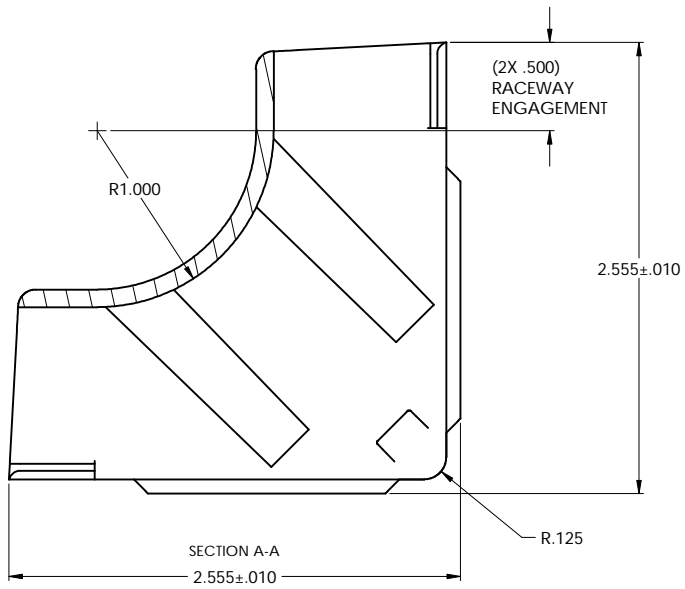
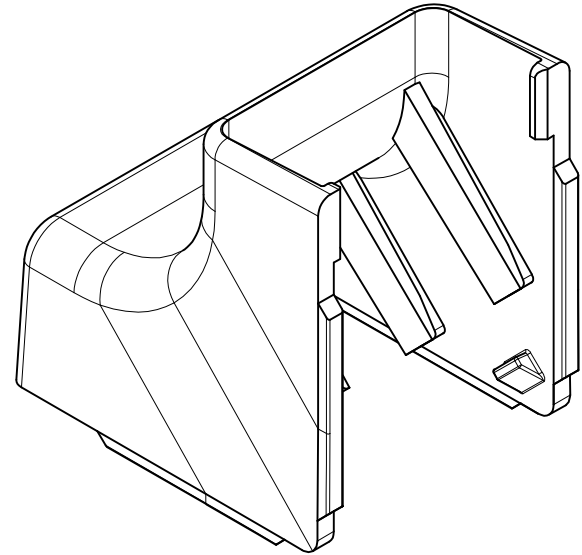
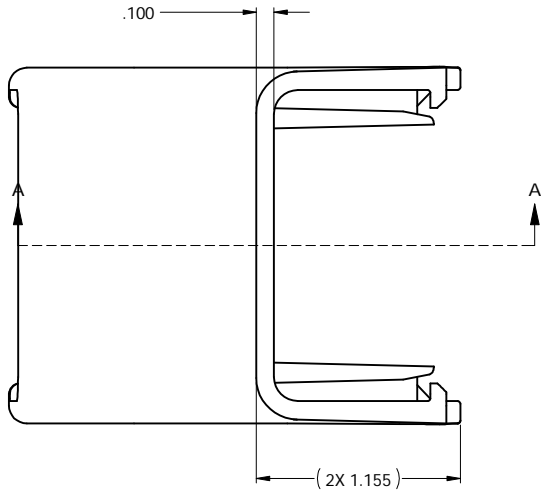
**Packaging Type** bag

**Pkg. Qty.** 10

**Carton Qty.** 10

**Minimum Order Quantity** 10

**UPC** 08930616018



**PART NO. DESCRIPTION**

TSR3\_-33-1

COLOR:  
I = IVORY  
FW = OFFICE WHITE  
W = WHITE  
(FOR OTHER COLORS  
CONTACT FACTORY)

REDUCED  
NO SCALE

**HellermannTyton**

A SPIRENT Company

ALL PROPRIETARY RIGHTS IN THE SUBJECT MATTER SHOWN ON THIS DRAWING ARE EXCLUSIVE PROPERTY OF HELLERMANNITYTON

name	date	city, state

NOTES

1. THIS PART MATES WITH (2) TSR3 RACEWAYS.

REVISION	D level	01
	A by	PLN
	I date	07/11/02
	G ECN #	003260
	part level	B

DIMENSIONS	.xxxx = ±.0005
	.xxx = ±.005
	.xx = ±.01
	.x = ±.03
	∠ = ±0.5°
unless otherwise specified	
units	inches

PART	number	TSR3_-33-1	phase	PRODUCTION
	name TSR3-33-1 1 3/4" INTERNAL COVER WITH 1" MIN BEND RADIUS			
	material PVC			

DRAWING	format	C	SW	scale	2:1
	version N				
	computer file number	DT3032009CST_01	previous number	DT3032-009_CST	
	drawn	G. GEIGER	checked		
	date	03/27/96	approved		
type	CUSTOMER		sheet	1 of 1	
number	DT3032009CST				

### TSR — Low Voltage Surface Raceway Accessories

HellermannTyton provides a complete line of fittings to manage connectivity requirements from the telecommunications room to the work area. Each size of raceway offers numerous fittings, offered in electrical ivory, white or office white, including TIA/EIA-568-B compliant 1" bend radius accessories which help ensure consistent data transmission performance of Category 5, 5e and 6 communications systems.



Designated with -50



Designated with -36



Designated with -25-1



Designated with -29-1



Designated with -14



Designated with -12



Designated with -33-1



Designated with -21-1



\*Recommend using the TSRX-JB2 for voice and data applications

#### Product Selection

Part Number	Description	Pkg. Qty.
<b>TSR1 Fittings</b>		
TSR1X-14	Splice Cover – 3/4"	10
TSR1X-21-1	Tee Cover – 3/4" – 1" Bend Radius	10
TSR1X-25-1	Elbow Cover – 3/4" – 1" Bend Radius	10
TSR1X-29-1	External Corner – 3/4" – 1" Bend Radius	10
TSR1X-33-1	Internal Corner – 3/4" – 1" Bend Radius	10
TSR1X-36	End Cap – 3/4"	10
TSR1X-50	Ceiling Drop – 3/4"	10
<b>TSR2 Fittings</b>		
TSR2X-14	Splice Cover – 1-1/4"	10
TSR2X-21-1	Tee Cover – 1-1/4" – 1" Bend Radius	10
TSR2X-25-1	Elbow Cover – 1-1/4" – 1" Bend Radius	10
TSR2X-29-1	External Corner – 1-1/4" – 1" Bend Radius	10
TSR2X-33-1	Internal Corner – 1-1/4" – 1" Bend Radius	10
TSR2X-36	End Cap – 1-1/4"	10
TSR2X-50	Ceiling Drop – 1-1/4"	10
<b>TSR3 Fittings</b>		
TSR3X-14	Splice Cover – 1-3/4"	10
TSR3X-21-1	Tee Cover – 1-3/4" – 1" Bend Radius	10
TSR3X-25-1	Elbow Cover – 1-3/4" – 1" Bend Radius	10
TSR3X-29-1	External Corner – 1-3/4" – 1" Bend Radius	10
TSR3X-33-1	Internal Corner – 1-3/4" – 1" Bend Radius	10
TSR3X-36	End Cap – 1-3/4"	10
TSR3X-50	Ceiling Drop – 1-3/4"	10
<b>Reducers</b>		
TSR1X-12	Reducer – 1-3/4" to 1-1/4" (TSR3 to TSR2)	10
TSR2X-12	Reducer – 1-3/4" to 3/4" (TSR3 to TSR1)	10
TSR3X-12	Reducer – 1-1/4" to 3/4" (TSR2 to TSR1)	10
<b>Junction Boxes</b>		
TSRX-JB1	Junction Box Single Gang – 3"(W) x 4-3/4"(L) x 1-1/4"(H)	1
TSRX-JB2*	Junction Box Single Gang – 3"(W) x 4-3/4"(L) x 2"(H)	1
TSRX-JBD	Junction Box Dual Gang – 4.91"(W) x 4.83"(L) x 1-1/2"(H)	1

Replace "X" in the part number with the following letters for desired color:  
 X = I (ivory), FW (office white), W (white)

### Junction Boxes

Offered in a dual or single gang format, HellermannTyton's low voltage junction boxes are versatile enough for any network cabling application. Available in varying depths, these boxes are all equipped with concentric knockouts on all four sides for every TSR size of raceway which eliminates routing and installation inconvenience. All three styles of junction boxes come with adhesive strips on the back of the base and also #6 screws to secure the box to the base. See page 62 for knockout sizes and locations.