

## TSR2I-50

1-1/4" ceiling drop - Ivory

Article Number: 250-02501

Part Number: TSR2I-50

Type: TSR2-50

Material: PVC



### 1. Base Data

---

<b>Part No.</b>	TSR2I-50
<b>Type</b>	TSR2-50
<b>Color</b>	Ivory
<b>Features</b>	HellermannTyton's low voltage TSR surface raceway system is a one piece latching duct designed to contain, route and protect wire and cable when it is not feasible to run it within the wall. It is manufactured from a 94 V-0 PVC and features a superior adh

### 4. Material and Specifications

---

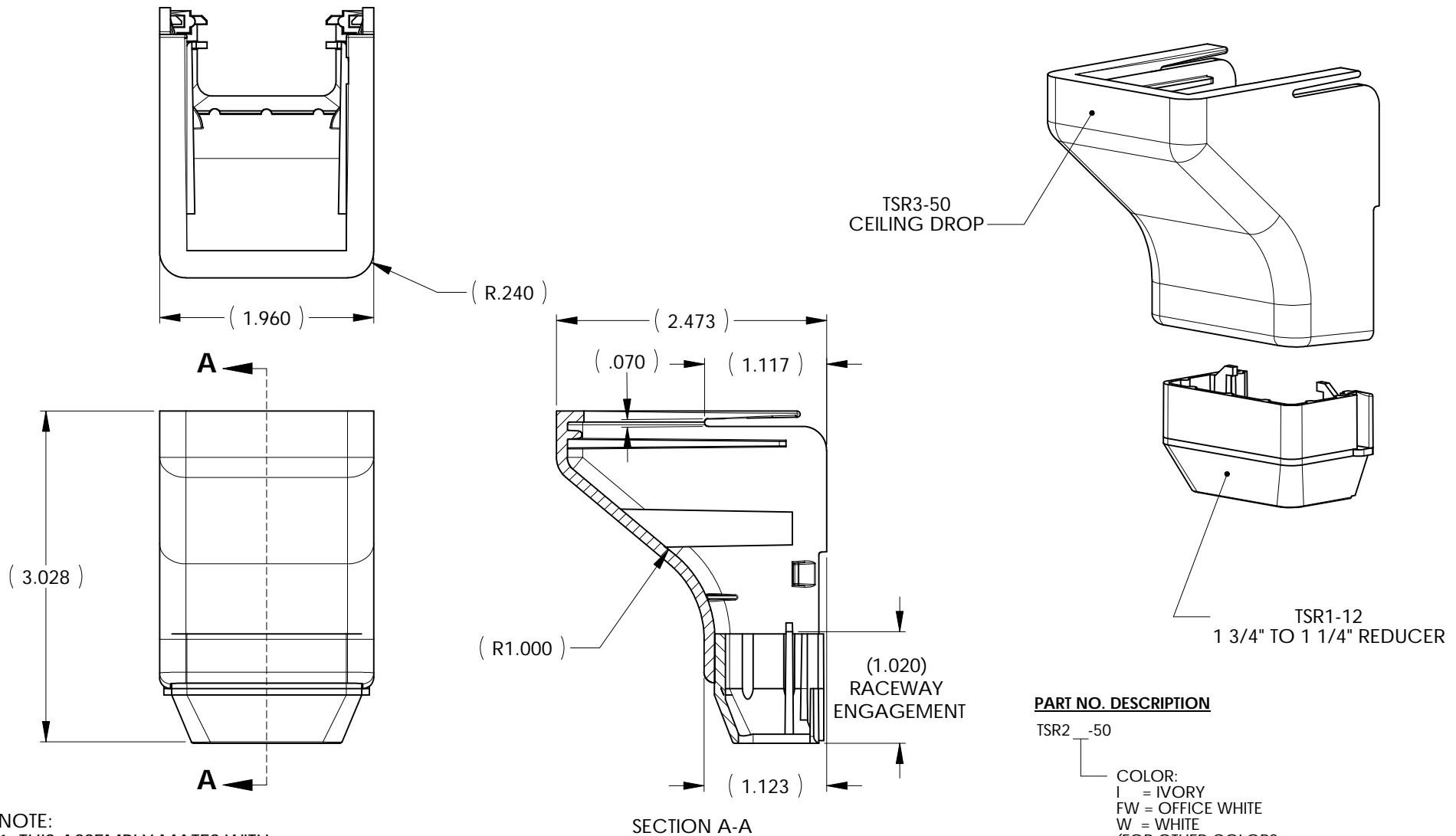
**Material** Polyvinylchloride (PVC)

<b>Material Shortcut</b>	PVC
--------------------------	-----

### **Logistic and Packaging**

---

<b>Packaging Type</b>	bag
<b>Pkg. Qty.</b>	10
<b>Minimum Order Quantity</b>	10
<b>UPC</b>	08930610058



NOTE:  
1. THIS ASSEMBLY MATES WITH  
(1) TSR2 RACEWAY

**PART NO. DESCRIPTION**

TSR2\_-50

COLOR:  
I = IVORY  
FW = OFFICE WHITE  
W = WHITE  
(FOR OTHER COLORS  
CONTACT FACTORY)

I  
N  
V  
E  
N  
T  
O  
R  
S

**HellermannTyton.**

A SPIRENT Company

ALL PROPRIETARY RIGHTS IN THE SUBJECT MATTER SHOWN ON THIS DRAWING ARE EXCLUSIVE PROPERTY OF HELLERMANNTYTON

name	date	city, state

R  
E  
V  
I  
S  
I  
O  
N

level	<b>01</b>
by	PLN
date	07/23/02
ECN #	003276
part level	-

D  
I  
M  
E  
N  
S  
I  
O  
N  
S

TOLE	.XXXX = ± .0005
FRAN	.XXX = ± .005
SENC	.XX = ± .01
HENS	.X = ± .03
IONS	∠ = ±0.5°
	unless otherwise specified
units	inches

P  
A  
R  
T

number	TSR2_-50	phase	PRODUCTION
name	TSR2-50 1 1/4" CEILING DROP		
material	PVC		

D  
R  
A  
W  
I  
N  
G

format version N	AH	CAD	SW	scale	3:4
computer file number	DT3026002CST_01		previous number	DT3026C002	
drawn	K.A.C.	checked		approved	
	10/30/91				
type	CUSTOMER		sheet 1 of 1		
number	<b>DT3026002CST</b>				

### TSR — Low Voltage Surface Raceway Accessories

HellermannTyton provides a complete line of fittings to manage connectivity requirements from the telecommunications room to the work area. Each size of raceway offers numerous fittings, offered in electrical ivory, white or office white, including TIA/EIA-568-B compliant 1" bend radius accessories which help ensure consistent data transmission performance of Category 5, 5e and 6 communications systems.



Designated with -50



Designated with -36



Designated with -25-1



Designated with -29-1



Designated with -14



Designated with -12



Designated with -33-1



Designated with -21-1



\*Recommend using the TSRX-JB2 for voice and data applications

#### Product Selection

Part Number	Description	Pkg. Qty.
<b>TSR1 Fittings</b>		
TSR1X-14	Splice Cover – 3/4"	10
TSR1X-21-1	Tee Cover – 3/4" – 1" Bend Radius	10
TSR1X-25-1	Elbow Cover – 3/4" – 1" Bend Radius	10
TSR1X-29-1	External Corner – 3/4" – 1" Bend Radius	10
TSR1X-33-1	Internal Corner – 3/4" – 1" Bend Radius	10
TSR1X-36	End Cap – 3/4"	10
TSR1X-50	Ceiling Drop – 3/4"	10
<b>TSR2 Fittings</b>		
TSR2X-14	Splice Cover – 1-1/4"	10
TSR2X-21-1	Tee Cover – 1-1/4" – 1" Bend Radius	10
TSR2X-25-1	Elbow Cover – 1-1/4" – 1" Bend Radius	10
TSR2X-29-1	External Corner – 1-1/4" – 1" Bend Radius	10
TSR2X-33-1	Internal Corner – 1-1/4" – 1" Bend Radius	10
TSR2X-36	End Cap – 1-1/4"	10
TSR2X-50	Ceiling Drop – 1-1/4"	10
<b>TSR3 Fittings</b>		
TSR3X-14	Splice Cover – 1-3/4"	10
TSR3X-21-1	Tee Cover – 1-3/4" – 1" Bend Radius	10
TSR3X-25-1	Elbow Cover – 1-3/4" – 1" Bend Radius	10
TSR3X-29-1	External Corner – 1-3/4" – 1" Bend Radius	10
TSR3X-33-1	Internal Corner – 1-3/4" – 1" Bend Radius	10
TSR3X-36	End Cap – 1-3/4"	10
TSR3X-50	Ceiling Drop – 1-3/4"	10
<b>Reducers</b>		
TSR1X-12	Reducer – 1-3/4" to 1-1/4" (TSR3 to TSR2)	10
TSR2X-12	Reducer – 1-3/4" to 3/4" (TSR3 to TSR1)	10
TSR3X-12	Reducer – 1-1/4" to 3/4" (TSR2 to TSR1)	10
<b>Junction Boxes</b>		
TSRX-JB1	Junction Box Single Gang – 3"(W) x 4-3/4"(L) x 1-1/4"(H)	1
TSRX-JB2*	Junction Box Single Gang – 3"(W) x 4-3/4"(L) x 2"(H)	1
TSRX-JBD	Junction Box Dual Gang – 4.91"(W) x 4.83"(L) x 1-1/2"(H)	1

Replace "X" in the part number with the following letters for desired color:  
 X = I (ivory), FW (office white), W (white)

### Junction Boxes

Offered in a dual or single gang format, HellermannTyton's low voltage junction boxes are versatile enough for any network cabling application. Available in varying depths, these boxes are all equipped with concentric knockouts on all four sides for every TSR size of raceway which eliminates routing and installation inconvenience. All three styles of junction boxes come with adhesive strips on the back of the base and also #6 screws to secure the box to the base. See page 62 for knockout sizes and locations.