

TSR2I-14

1-1/4" splice cover - Ivory

Article Number: 250-02141

Part Number: TSR2I-14

Type: TSR2-14

Material: PVC

1. Base Data

Part No. TSR2I-14

Type TSR2-14

Color Ivory

Features HellermannTyton's low voltage TSR surface raceway system is a one piece latching duct designed to contain, route and protect wire and cable when it is not feasible to run it within the wall. It is manufactured from a 94 V-0 PVC and features a superior adh

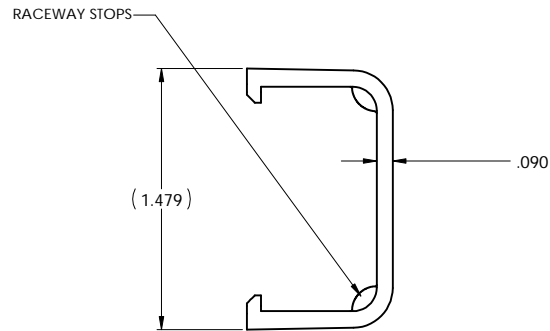
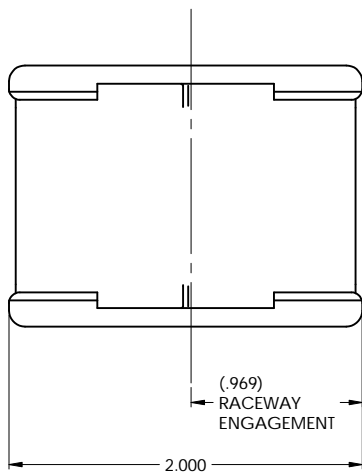
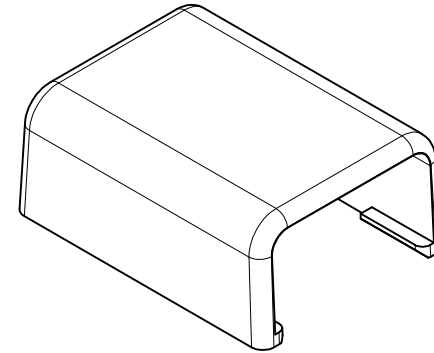
4. Material and Specifications

Material Polyvinylchloride (PVC)

Material Shortcut PVC

Logistic and Packaging

| | |
|-------------------------------|-------------|
| Packaging Type | bag |
| Pkg. Qty. | 10 |
| Carton Qty. | 10 |
| Minimum Order Quantity | 10 |
| UPC | 08930610052 |



| PART NO. | DESCRIPTION | TSRP2_-14 | POWER-RATED SYSTEM |
|----------|-------------|-----------|--------------------|
| TSR2_-14 | | TSR2_-14 | LOW VOLTAGE SYSTEM |
| PART NO. | DESCRIPTION | | |

COLOR:
 I = IVORY
 FW = OFFICE WHITE
 W = WHITE
 (FOR OTHER COLORS
 CONTACT FACTORY)

REDUCED
 NO SCALE

INVENTORS

HellermannTyton
 A SPIRENT Company

ALL PROPRIETARY RIGHTS IN THE SUBJECT MATTER SHOWN ON THIS DRAWING ARE EXCLUSIVE PROPERTY OF HELLERMANN TYTON

| name | date | city, state |
|------|------|-------------|
| | | |
| | | |
| | | |

NOTES

- THIS PART MATES WITH (2) TSR2 OR (2) TSRP2 RACEWAYS.

REVISION

| | |
|------------|----------|
| DR level | 01 |
| AW by | PLN |
| IN date | 07/11/02 |
| ENG ECN # | 003264 |
| part level | B |

DIMENSIONS

| |
|----------------------------|
| .XXXX = ±.0005 |
| .XXX = ±.005 |
| .XX = ±.01 |
| .X = ±.03 |
| ∠ = ±0.5° |
| unless otherwise specified |
| units inches |

PART

| number | SEE CHART | phase | PRODUCTION |
|----------|--------------------------------|-------|------------|
| name | TSR2-14 1 1/4" SPLICE COVER | | |
| material | PVC | | |

DRAWING

| format | version | C | SW | scale | 2:1 |
|----------------------|-----------------|---|-----------------|------------------|--------------|
| computer file number | DT3026108CST_01 | | previous number | DTV.CST\30261088 | |
| drawn | MN/CE | | checked | | approved |
| date | 08/19/96 | | | | |
| type | CUSTOMER | | | | sheet 1 of 1 |
| number | DT3026108CST | | | | |

TSR — Low Voltage Surface Raceway Accessories

HellermannTyton provides a complete line of fittings to manage connectivity requirements from the telecommunications room to the work area. Each size of raceway offers numerous fittings, offered in electrical ivory, white or office white, including TIA/EIA-568-B compliant 1" bend radius accessories which help ensure consistent data transmission performance of Category 5, 5e and 6 communications systems.



Designated with -50



Designated with -36



Designated with -25-1



Designated with -29-1



Designated with -14



Designated with -12



Designated with -33-1



Designated with -21-1



*Recommend using the TSRX-JB2 for voice and data applications

Product Selection

| Part Number | Description | Pkg. Qty. |
|-----------------------|--|-----------|
| TSR1 Fittings | | |
| TSR1X-14 | Splice Cover – 3/4" | 10 |
| TSR1X-21-1 | Tee Cover - 3/4" – 1" Bend Radius | 10 |
| TSR1X-25-1 | Elbow Cover – 3/4" – 1" Bend Radius | 10 |
| TSR1X-29-1 | External Corner – 3/4" – 1" Bend Radius | 10 |
| TSR1X-33-1 | Internal Corner – 3/4" – 1" Bend Radius | 10 |
| TSR1X-36 | End Cap – 3/4" | 10 |
| TSR1X-50 | Ceiling Drop – 3/4" | 10 |
| TSR2 Fittings | | |
| TSR2X-14 | Splice Cover – 1-1/4" | 10 |
| TSR2X-21-1 | Tee Cover – 1-1/4" – 1" Bend Radius | 10 |
| TSR2X-25-1 | Elbow Cover – 1-1/4" – 1" Bend Radius | 10 |
| TSR2X-29-1 | External Corner – 1-1/4" – 1" Bend Radius | 10 |
| TSR2X-33-1 | Internal Corner – 1-1/4" – 1" Bend Radius | 10 |
| TSR2X-36 | End Cap – 1-1/4" | 10 |
| TSR2X-50 | Ceiling Drop – 1-1/4" | 10 |
| TSR3 Fittings | | |
| TSR3X-14 | Splice Cover – 1-3/4" | 10 |
| TSR3X-21-1 | Tee Cover – 1-3/4" – 1" Bend Radius | 10 |
| TSR3X-25-1 | Elbow Cover – 1-3/4" – 1" Bend Radius | 10 |
| TSR3X-29-1 | External Corner – 1-3/4" – 1" Bend Radius | 10 |
| TSR3X-33-1 | Internal Corner – 1-3/4" – 1" Bend Radius | 10 |
| TSR3X-36 | End Cap – 1-3/4" | 10 |
| TSR3X-50 | Ceiling Drop – 1-3/4" | 10 |
| Reducers | | |
| TSR1X-12 | Reducer – 1-3/4" to 1-1/4" (TSR3 to TSR2) | 10 |
| TSR2X-12 | Reducer – 1-3/4" to 3/4" (TSR3 to TSR1) | 10 |
| TSR3X-12 | Reducer – 1-1/4" to 3/4" (TSR2 to TSR1) | 10 |
| Junction Boxes | | |
| TSRX-JB1 | Junction Box Single Gang – 3"(W) x 4-3/4"(L) x 1-1/4"(H) | 1 |
| TSRX-JB2* | Junction Box Single Gang – 3"(W) x 4-3/4"(L) x 2"(H) | 1 |
| TSRX-JBD | Junction Box Dual Gang – 4.91"(W) x 4.83"(L) x 1-1/2"(H) | 1 |

Replace "X" in the part number with the following letters for desired color:
 X = I (ivory), FW (office white), W (white)

Junction Boxes

Offered in a dual or single gang format, HellermannTyton's low voltage junction boxes are versatile enough for any network cabling application. Available in varying depths, these boxes are all equipped with concentric knockouts on all four sides for every TSR size of raceway which eliminates routing and installation inconvenience. All three styles of junction boxes come with adhesive strips on the back of the base and also #6 screws to secure the box to the base. See page 62 for knockout sizes and locations.