

## TSR1I-6A

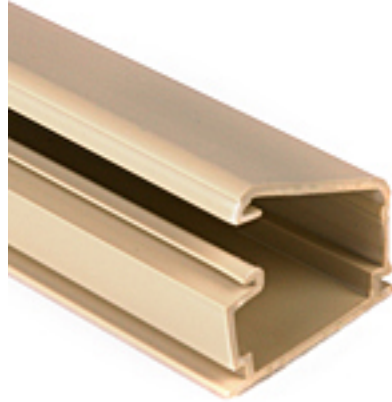
3/4" one piece surface raceway - 6' sticks - Ivory

Article Number: 250-01602

Part Number: TSR1I-6A

Type: TSR1-6A

Material: PVC



### 1. Base Data

---

<b>Part No.</b>	TSR1I-6A
<b>Type</b>	TSR1-6A
<b>Color</b>	Ivory
<b>Features</b>	HellermannTyton's low voltage TSR surface raceway system is a one piece latching duct designed to contain, route and protect wire and cable when it is not feasible to run it within the wall. It is manufactured from a 94 V-0 PVC and features a superior adh

## 2. Product Dimensions

---

Length (L)	6 ft
Width (W)	0.75 " / 19.05
Height (H)	.5 "

## 4. Material and Specifications

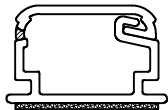
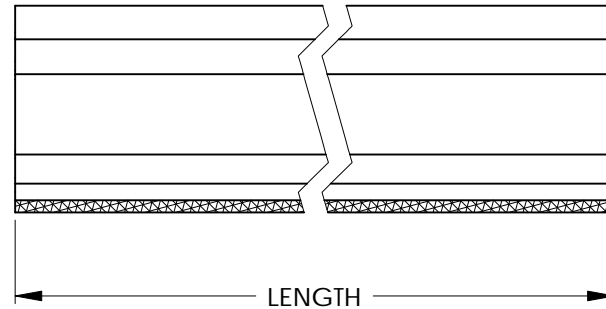
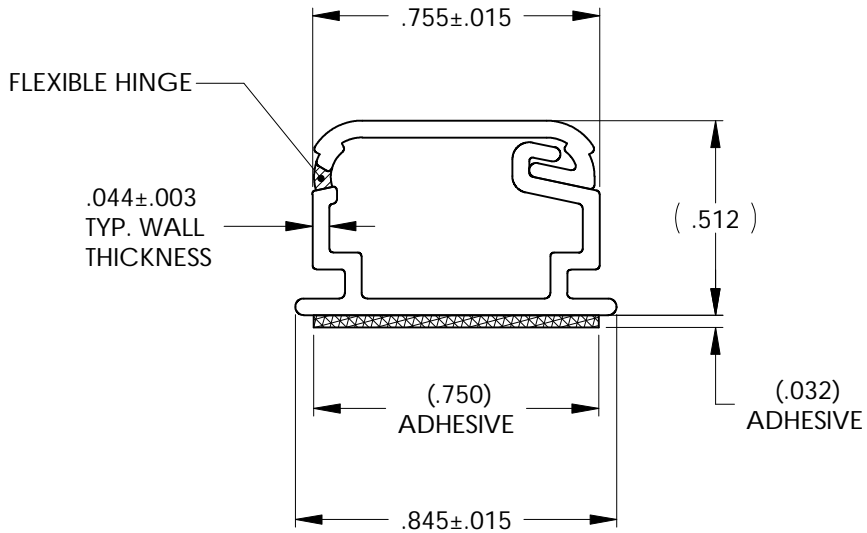
---

Material	Polyvinylchloride (PVC)
Material Shortcut	PVC

## Logistic and Packaging

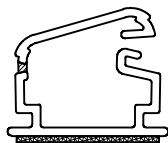
---

Packaging Type	box
Pkg. Qty.	120 ft / 120 ft
Carton Qty.	120
Minimum Order Quantity	120
UPC	08930610040



CLOSED

FULL SIZE



AS EXTRUDED

**PART NO. DESCRIPTION**

TSR1\_\_-6A

COLOR:  
 I = IVORY  
 FW = OFFICE WHITE  
 W = WHITE  
 (FOR OTHER COLORS  
 CONTACT FACTORY)

TSR1__-8A	96.000 +/- .125
TSR1__-6A	72.000 +/- .125
TSR1__-5A	60.000 +/- .125
TSR1__-4A	47.000 +/- .125
PART NO.	LENGTH

INVENTORS

**HellermannTyton**

A SPIRENT Company

ALL PROPRIETARY RIGHTS IN THE SUBJECT MATTER SHOWN ON THIS DRAWING ARE EXCLUSIVE PROPERTY OF HELLERMANNTYTON

name	date	city, state

REVISION

level	<b>03</b>
by	PLN
date	07/15/02
ECN #	003267
part level	-

DIMENSIONS

TOLERANCES	.XXXX = ±.0005
	.XXX = ±.005
	.XX = ±.01
	.X = ±.03
	∠ = ±0.5°
	unless otherwise specified
units	inches

PART

number	SEE CHART	phase	PRODUCTION
name	TSR1 3/4" SURFACE RACEWAY		
material	PVC		

DRAWING

format version N	AH	CAD	SW	scale	2:1
computer file number	DT3026017CST_03		previous number		
drawn	K.A.C.	checked		approved	
	06/26/96				
type	CUSTOMER		sheet 1 of 1		
number	DT3026017CST				

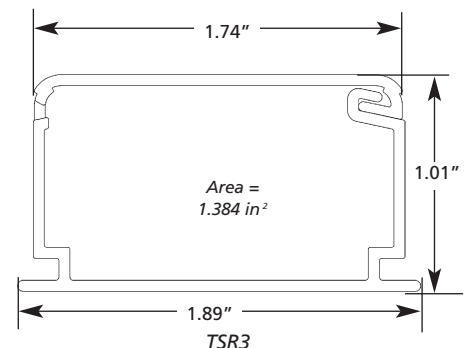
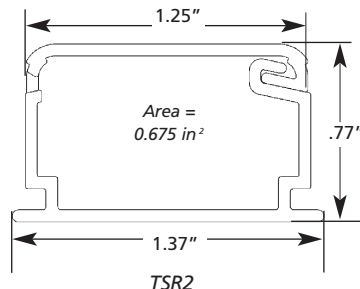
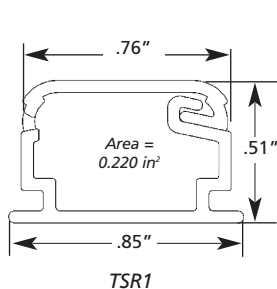
### Surface Raceway Systems

HellermannTyton's surface raceway systems are industry preferred for their sleek designs, labor savings features, and durability. With the addition of the new TSRP power surface raceway, HellermannTyton offers an integrated raceway package which fits together to meet the requirements of most any raceway application. Installed at school systems, hospitals, research centers, factories, offices, and many other end-user locations, HellermannTyton's raceway systems make the difference in aesthetics, durability and cost savings through designs which promote easy installation.

### TSR — Low Voltage Surface Raceway

HellermannTyton's low voltage raceway (TSR) is a one piece, non-metallic, adhesive backed latching raceway designed to aesthetically organize and route communications wires including high speed UTP cable and fiber optic cable from the telecommunications room to the work area.

- Tamper resistant, the cover's self-locking, hidden positive latch permits quick re-entry as well as providing a secure installation of premise wire.
- Manufactured from UL 94V-0 rated PVC material
- Fittings incorporate a minimum 1" bend radius per TIA/EIA 568-B and 569-A standards.
- Rubber-based foam tape adhesive with high ultimate bond strength conforms to any surface.
- Flexible hinge allows the raceway to endure numerous openings without creating discoloration or stress cracking.
- Junction boxes can be used for electrical or data outlets
- Available in 6 and 8 ft. lengths in three widths – 3/4", 1-1/4" and 1-3/4" for varying cabling requirements.



#### Product Selection

Part Number	Description	Dimensions	Pkg. Qty.
<b>TSR1 Raceway</b>			
TSR1X-6A	3/4" One Piece Surface Raceway	3/4"(W) x 1/2"(H) x 6'(L)	120 feet of 6 foot lengths
TSR1X-8A	3/4" One Piece Surface Raceway	3/4"(W) x 1/2"(H) x 8'(L)	160 feet of 8 foot lengths
<b>TSR2 Raceway</b>			
TSR2X-6A	1-1/4" One Piece Surface Raceway	1-1/4"(W) x 3/4"(H) x 6'(L)	120 feet of 6 foot lengths
TSR2X-8A	1-1/4" One Piece Surface Raceway	1-1/4"(W) x 3/4"(H) x 8'(L)	160 feet of 8 foot lengths
<b>TSR3 Raceway</b>			
TSR3X-6A	1-3/4" One Piece Surface Raceway	1-3/4"(W) x 1"(H) x 6'(L)	120 feet of 6 foot lengths
TSR3X-8A	1-3/4" One Piece Surface Raceway	1-3/4"(W) x 1"(H) x 8'(L)	160 feet of 8 foot lengths



Replace "X" in the part number with the following letters for desired color: X = I (ivory), FW (office white), W (white)