

## HDM3120HIRH4

Heavy Duty Mount, Mounting .3125" Max Torq 155 lb Max Dia for Washer .73"

PA66HIRHS, Black, 500/pkg

Article Number: 151-00440

Part Number: HDM3120HIRH4

Type: HDM312

Material: PA66HIR



### 1. Base Data

---

**Part No.** HDM3120HIRH4

**Type** HDM312

**Color** Black (BK)

**Features** The heavy duty mount and cable tie combination makes it easy to service bundles in the field. Simply remove the cable tie, leave the mount in place, and replace the cable tie. The heavy duty mounts are designed for use with HellermannTyton's heavy duty T

## Application

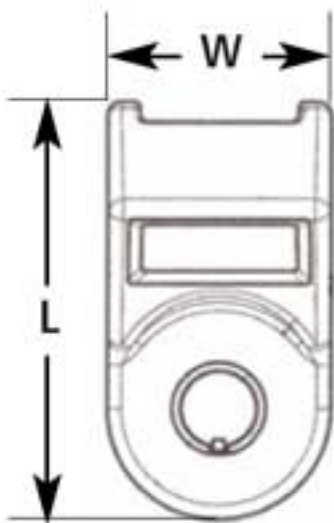
The heavy duty mount, when used with a cable tie, eliminates the need to carry multiple sizes of fixed bundle diameter clamps, which reduces inventory and purchasing costs while simplifying the assembly process.

## Application Method

These mounts contain a small tab inside the mounting hole to temporarily engage the threads, which allows assemblers to pre-install the mount on a stud before securing with a washer and a nut.

## 2. Product Dimensions

---



**Length (L)** 1.43 " / 36.32 mm

**Width (W)** .76 " / 19.3 mm

**Max. Cable Tie Width** 0.5 " / 12.7 mm

**Width (W2)** 13.3 mm

**Height (H)** 16.7 mm

**Height (H2)** 8.0 mm

**Mounting Hole  $\emptyset$**  .1325 " / 7.8

## 4. Material and Specifications

---

<b>Material</b>	Polyamide 6.6 high impact modified (PA66HIR)
<b>Material Shortcut</b>	PA66HIR
<b>Flammability</b>	UL94 HB
<b>Max. Torque</b>	132.5 kgf-cm / 9.583 lbf-ft
<b>Operating Temperature</b>	-40 °F to +176 °F (-40 °C to +80 °C) continuous

## Logistic and Packaging

---

<b>Packaging Type</b>	bag
<b>Pkg. Qty.</b>	500
<b>Carton Qty.</b>	3000
<b>UPC</b>	08930617430

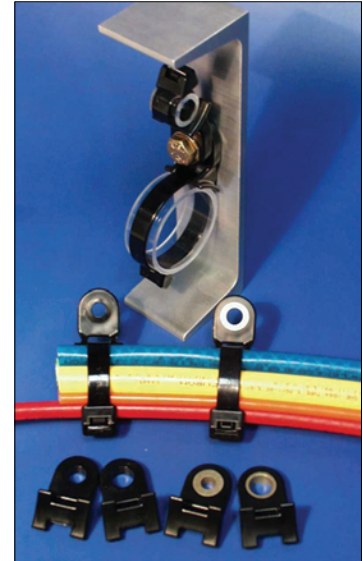
# Mounts

## Heavy Duty Mounts

The heavy duty mount, when used with a cable tie, eliminates the need to carry multiple sizes of fixed bundle diameter clamps, which reduces inventory and purchasing costs while simplifying the assembly process.

The heavy duty mount and cable tie combination makes it easy to service bundles in the field. Simply remove the cable tie, leave the mount in place, and replace the cable tie.

The heavy duty mounts are designed for use with HellermannTyton's heavy duty T250, T255, and wide strap cable ties to harness wires and hoses; however, they accept all standard cable ties up to .5" wide.



U.S. Patent Number 5,820,083

Material Data	
Material	<b>Polyamide 6.6 impact modified, Heat Stabilized, UV Resistant (PA66HIRHS)</b>
Operating Temperature	<b>-40 °F to +230 °F (-40 °C to +110 °C) continuous</b>
Flammability	<b>UL94 HB</b>

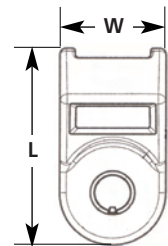


## Standard Torque Mounts

These mounts contain a small tab inside the mounting hole to temporarily engage the threads, which allows assemblers to pre-install the mount on a stud before securing with a washer and a nut.

Product Selection		Type	Mounting	Max Torque	Max Ø for Washer/Socket	Length (L)	Width (W)	Color	Pkg. Qty.
Article No.	Part No.		in. (mm)	lb. - in	in. (mm)	in. (mm)	in. (mm)		
151-00134	<b>HDM190HIRC2</b>	HDM19	.1875 (4.8)	115 lb. - in.	.73" (18.5)	1.43" (36.32)	.76" (19.3)	Black	100
151-00436	<b>HDM190HIRH4</b>	HDM19	.1875 (4.8)	115 lb. - in.	.73" (18.5)	1.43" (36.32)	.76" (19.3)	Black	500
151-00437	<b>HDM250HIRC2</b>	HDM25	.25" (6.4)	115 lb. - in.	.73" (18.5)	1.43" (36.32)	.76" (19.3)	Black	100
151-00438	<b>HDM250HIRH4</b>	HDM25	.25" (6.4)	115 lb. - in.	.73" (18.5)	1.43" (36.32)	.76" (19.3)	Black	500
151-00439	<b>HDM3120HIRC2</b>	HDM312	.3125" (8)	115 lb. - in.	.73" (18.5)	1.43" (36.32)	.76" (19.3)	Black	100
151-00440	<b>HDM3120HIRH4</b>	HDM312	.3125" (8)	115 lb. - in.	.73" (18.5)	1.43" (36.32)	.76" (19.3)	Black	500

Dimensions are approximate and subject to technical changes. Use **Part No.** for ordering and **Type** for specification purposes.

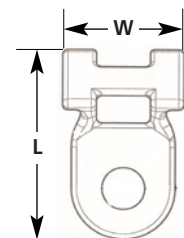


## Medium Torque Mounts

The arched "H" profile of the saddle surface allows for a broad surface contact with the bundle, minimizing pinching and crushing of the bundles, and adjusts to a wide variety of bundle diameters.

Product Selection		Type	Mounting	Max Torque	Max Ø for Washer/Socket	Length (L)	Width (W)	Color	Pkg. Qty.
Article No.	Part No.		in. (mm)	lb. - ft.	in. (mm)	in. (mm)	in. (mm)		
151-00441	<b>HDM321HIHSUVC2</b>	HDM321	.3125" (8)	40 lb. - ft.	.90" (23)	1.8" (46)	.96" (24)	Black	100
151-07100	<b>HDM321HIHSUVH4</b>	HDM321	.3125" (8)	40 lb. - ft.	.90" (23)	1.8" (46)	.96" (24)	Black	500
151-00442	<b>HDM401HIHSUVC2</b>	HDM401	.375" (9.5)	40 lb. - ft.	.90" (23)	1.8" (46)	.96" (24)	Black	100
151-07300	<b>HDM401HIHSUVH4</b>	HDM401	.375" (9.5)	40 lb. - ft.	.90" (23)	1.8" (46)	.96" (24)	Black	500
151-00443	<b>HDM501HIHSUVC2</b>	HDM501	.5" (12.7)	40 lb. - ft.	.90" (23)	1.8" (46)	.96" (24)	Black	100
151-07500	<b>HDM501HIHSUVH4</b>	HDM501	.5" (12.7)	40 lb. - ft.	.90" (23)	1.8" (46)	.96" (24)	Black	500

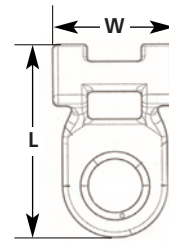
Dimensions are approximate and subject to technical changes. Use **Part No.** for ordering and **Type** for specification purposes.



## Heavy Duty Mounts (continued)

### High Torque Mounts

The high torque mount is designed for use with power-assisted impact wrenches and is molded with a metal bushing to withstand the forces required to tighten grade 8 bolts. The arched "H" profile of the saddle surface allows for a broad surface contact with the bundle, minimizing pinching and crushing of bundles, and it adjusts to a wide variety of bundle diameters.

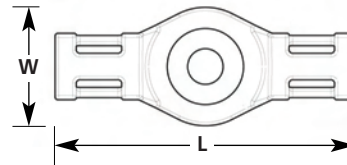


Product Selection									
Article No.	Part No.	Type	Mounting	Max Torque	Max Ø for Washer/Socket	Length (L)	Width (W)	Color	Pkg. Qty.
			in. (mm)	lb. - ft.	in. (mm)	in. (mm)	in. (mm)		
151-00444 151-07000	<b>HDM320BHIHSUVC2</b> <b>HDM320BHIHSUVH4</b>	HDM320 HDM320	.3125" (8) .3125" (8)	114 lb. - ft. 114 lb. - ft.	.9" (23) .9" (23)	1.85" (47) 1.85" (47)	.99" (25) .99" (25)	Black Black	100 500
151-00445 151-07200	<b>HDM400BHISHUVC2</b> <b>HDM400BHIHSUVH4</b>	HDM400 HDM400	.375" (9.5) .375" (9.5)	114 lb. - ft. 114 lb. - ft.	1.26" (32) 1.26" (32)	1.85" (47) 1.85" (47)	.99" (25) .99" (25)	Black Black	100 500
151-00446 151-07400	<b>HDM500BHIHSUVC2</b> <b>HDM500BHIHSUVH4</b>	HDM500 HDM500	.5" (12.7) .5" (12.7)	114 lb. - ft. 114 lb. - ft.	1.26" (32) 1.26" (32)	1.85" (47) 1.85" (47)	.99" (25) .99" (25)	Black Black	100 500

Dimensions are approximate and subject to technical changes. Use **Part No.** for ordering and **Type** for specification purposes.

### High Torque Double Mount

This mount is designed for use with power-assisted impact wrenches and is molded with a metal bushing to withstand the forces required to tighten grade 8 bolts. The high torque double mount secures the bundle directly over the mounting fastener. The cable ties are held in place during assembly with friction tabs inside the cable tie slots. The arched "H" profile of the saddle surface allows for a broad surface contact with the bundle, minimizing pinching and crushing of the bundles, and accommodates a wide variety of bundle diameters.



Product Selection									
Article No.	Part No.	Type	Mounting	Max Torque	Max Ø for Washer/Socket	Length (L)	Width (W)	Color	Pkg. Qty.
			in. (mm)	lb. - ft.	in. (mm)	in. (mm)	in. (mm)		
151-00456	<b>151-00456</b>	HDM375	.375" (9.5)	114 lb. - ft.	1.27" (32.5)	3.43" (87)	1.36" (34.5)	Black	100

Dimensions are approximate and subject to technical changes. Use **Part No.** for ordering and **Type** for specification purposes.