

## FC2.2K2

Dual Adjustable Flat Ribbon Clamp-Max Cable Width 2.0", Mnt Hole .138", PA66,  
Telecom Gray, 50/pk

Article Number: 154-00015

Part Number: FC2.2K2

Type: FC2.2

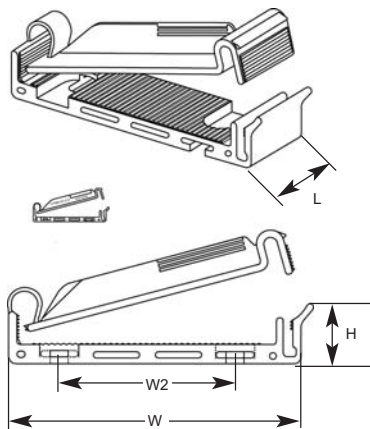
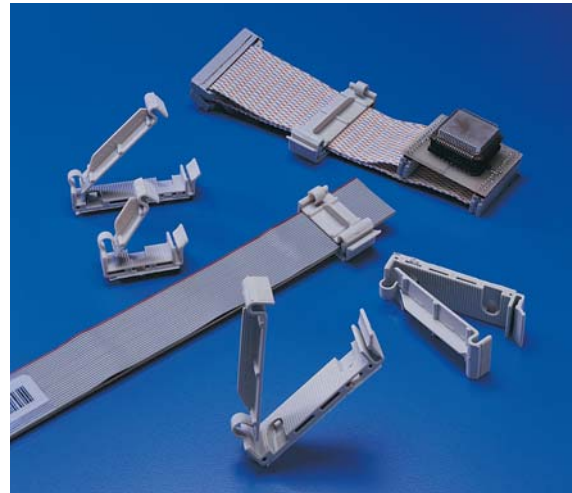


## Dual Adjustable Flat Ribbon Cable Clamps

Designed to route, protect and secure flat ribbon cables in computers, electronics, panels and components, this unique adjustable clamp will not damage sensitive wire and cable. The clamp will adjust and close to the exact height of the ribbon cable, using only as much force as needed to secure the cable. The clamp is releasable on demand and adjustable on both sides. The low profile design allows for use in confined areas where space is a premium.

The clamp is adjustable so that single or stacked cable can be routed. The "snap clamp" design of this flat ribbon cable clamp makes it an excellent choice for specification and installation.

Both adhesive backed and non-adhesive screw mount versions are available.



### Material Data

Material	<b>Polyamide 6.6 (PA66)</b>
Color	<b>Telecom Gray</b>
Operating Temperature	<b>-40 °F to +185 °F (-40 °C to +85 °C)</b>
Flammability	<b>UL94 V2 (excluding adhesive)</b>



### Product Selection

Article No.	Part No.	Type	Length (L)		Width (W)		Width (W2)		Height (H)		Mounting Hole Ø		Max Cable Width		Pkg. Qty.
			in.	(mm)	in.	(mm)	in.	(mm)	in.	(mm)	in.	(mm)	in.	(mm)	
<b>Adhesive</b>															
154-00013	<b>FC1.2AK2</b>	FC1.2A	.75"	(19)	1.5"	(38.1)	n/a	n/a	.51"	(13.1)	n/a	n/a	1.2 "	(30.48)	50
154-00012	<b>FC1.2AH4</b>	FC1.2A	.75"	(19)	1.5"	(38.1)	n/a	n/a	.51"	(12.9)	n/a	n/a	1.2 "	(30.48)	500
154-00017	<b>FC2.2AK2</b>	FC2.2A	.75"	(19)	2.5"	(63.5)	n/a	n/a	.51"	(12.75)	n/a	n/a	2.0 "	(50.8)	50
154-00016	<b>FC2.2AH4</b>	FC2.2A	.75"	(19)	2.5"	(63.5)	n/a	n/a	.51"	(12.75)	n/a	n/a	2.0 "	(50.8)	500
<b>Non-Adhesive</b>															
154-00011	<b>FC1.2K2</b>	FC1.2	.75"	(19)	1.5"	(38.1)	1.62"	(41.15)	.51"	(12.9)	.138"	(6.0)	1.2 "	(30.0)	50
154-00010	<b>FC1.2H4</b>	FC1.2	.75"	(19)	1.5"	(38.1)	1.62"	(41.15)	.51"	(12.9)	.138"	(6.0)	1.2 "	(30.0)	500
154-00015	<b>FC2.2K2</b>	FC2.2	.75"	(19)	2.5"	(63.5)	1.5"	(38.1)	.51"	(12.95)	.138"	(6.0)	2.0 "	(50.8)	50
154-00014	<b>FC2.2H4</b>	FC2.2	.75"	(19)	2.5"	(63.5)	1.5"	(38.1)	.51"	(12.95)	.138"	(6.0)	2.0 "	(50.8)	500

Dimensions are approximate and subject to technical changes. Use **Part No.** for ordering and **Type** for specification purposes.