

## 514REF

Rite-On marker refill self-lam 3/4"(w) x 5/16"(l)

Article Number: 590-05141

Part Number: 514REF

Type: 514REF

Material: 100

### 1. Base Data

---

<b>Part No.</b>	514REF
<b>Type</b>	514REF
<b>Color</b>	White
<b>Features</b>	HellermannTyton's refill Rite-On Markers are made from a flexible vinyl film and are used to mark wire and cable. The self-laminating labels have a clear tail which seals the legend under clear vinyl, maintaining the quality of the labels. The Rite-On m
<b>Application</b>	<b>Product Applications</b> - Telecom Installations - Residential Applications - Electrical Wiring
<b>Application Method</b>	Manual from label dispenser

**Colour Marking Field** White


## 2. Product Dimensions

---

<b>Length (L)</b>	.375 " / 9.52
<b>Width (W)</b>	.750 " / 19.05
<b>Height (H)</b>	.375 " / 9.52 mm
<b>Height (H2)</b>	1.250 " / 31.75 mm
<b>Min. Ø Bundle</b>	3.89 mm
<b>Max. Ø Bundle</b>	6.68 mm
<b>Min. Outside Ø</b>	.153 "
<b>Min. Diameter Ø</b>	3.89
<b>Max. Outside Ø</b>	.263 " / 6.68
<b>Min. Wire Size (in<sup>2</sup>)</b>	.053 "
<b>Wire Size Range (AWG)</b>	14 to 8 AWG

## 4. Material and Specifications

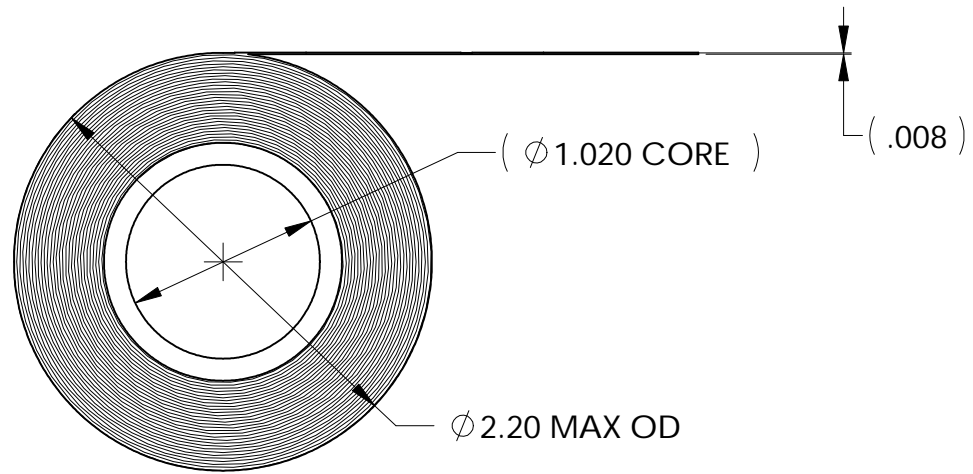
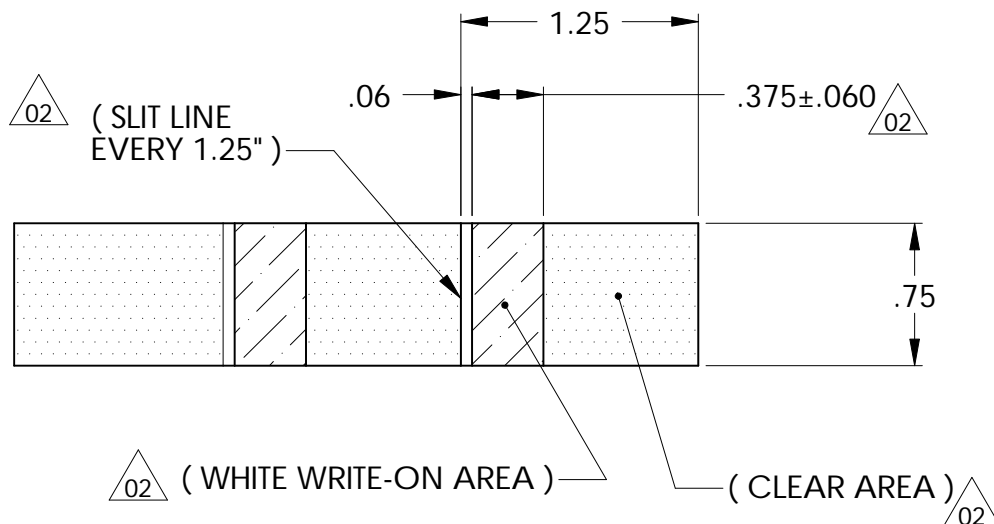
---

<b>Material</b>	Type 100, self laminating Vinyl, white (WH)
<b>Material Shortcut</b>	100
<b>Adhesive</b>	Acryl / Acrylic
<b>Adhesive Operating Temperature</b>	-51 °F to +200 °F (-46 °C to +93 °C)
<b>Curing Temperature</b>	from +10 °C
<b>Operating Temperature</b>	-51 °F to +200 °F (-46 °C to +93 °C)
<b>ROHS Conformity</b>	

## Logistic and Packaging

---

<b>Packaging Type</b>	pack
<b>Pkg. Qty.</b>	200 / 200
<b>Carton Qty.</b>	1
<b>EAN code</b>	4031026172255
<b>Minimum Order Quantity</b>	200
<b>UPC</b>	08930612059



NOTE:  
1) 200 LABELS PER ROLL

△02

I  
N  
V  
E  
N  
T  
O  
R  
S

**HellermannTyton**  
A SPIRENT Company

ALL PROPRIETARY RIGHTS IN THE SUBJECT MATTER SHOWN ON THIS DRAWING ARE EXCLUSIVE PROPERTY OF HELLERMANN TYTON

name	date	city, state

**REVISION**

level	△02
by	KAC
date	2/5/03
ECN #	003650
part level	-

**DIMENSIONS**

units inches

unless otherwise specified

.XXXX = ± .0005  
.XXX = ± .005  
.XX = ± .06  
.X = ± .03  
∠ = ± 0.5°

△02

**PART**

number	514REF	phase	PRODUCTION
name			
514REF			
RITE-ON MARKER REFILL ROLL			
material			
FLEXIBLE, VINYL FILM			

**DRAWING**

format version N	AH	CAD	SW	scale	1:1
computer file number	LA2001005DTL_02			previous number	
drawn	K.A.C.	checked		approved	
	1/28/03				
type	DETAIL			sheet 1 of 1	
number	LA2001005DTL				

## Rite-On® Markers *continued*

### Refill Rolls

Product Selection			Width	Height of Write-On Area	Height of Label	Markers per Roll	Pkg. Qty.
Article No.	Part No.	Type	in. (mm)	in. (mm)	in. (mm)		
590-01011	<b>101REF</b>	101REF	.75 " (19.05)	.875 " (22.22)	6.0 " (152.4)	40	1 roll
590-01751	<b>175REF</b>	175REF	.75 " (19.05)	.75 " (19.05)	3.0 " (76.2)	40	1 roll
590-05121	<b>512REF</b>	512REF	.75 " (19.05)	.50 " (12.7)	1.875 " (47.62)	40	1 roll
590-05141	<b>514REF</b>	514REF	.75 " (19.05)	.375 " (9.52)	1.25 " (31.75)	40	1 roll

Dimensions are approximate and subject to technical changes. Use **Part No.** for ordering and **Type** for specification purposes.

### Nylon Marking Pens

When used with a non-smear FTP nylon marking pen, marking is fast and economical.

Product Selection				
Article No.	Part No.	Type	Color	Pkg. Qty.
500-50822	<b>T82-R</b>	T82R-RD	Red	2 pens
500-50820	<b>T82-S</b>	T82S-BK	Black	2 pens

Use **Part No.** for ordering and **Type** for specification purposes.



### Rite-On Marker Display

The Rite-On Marker point-of-purchase display helps ensure increased sales of this economical and popular labeling method.



Product Selection				
Article No.	Part No.	Type	Description	Pkg. Qty.
590-00000	<b>RODISPLAY</b>	RODISPLAY	Each display contains: - 12 dispensers (3 each of RO101, RO175, RO512 & RO514) - 6 starter packs (each pack contains an RO175 dispenser, a roll of labels, a pen and directions for use) - 16 refill rolls (4 each of the refill labels for each dispenser, 101REF, 175REF, 512REF & 514REF) - 1 wire stand display and header label.	1

Use **Part No.** for ordering and **Type** for specification purposes.