

## 151-15500

Flat Ribbon Cable Clamp, Adhesive 2.22" - PA66HIR, Black, 100/pk

Article Number: 151-15500

Part Number: 151-15500

Type: FKH50A

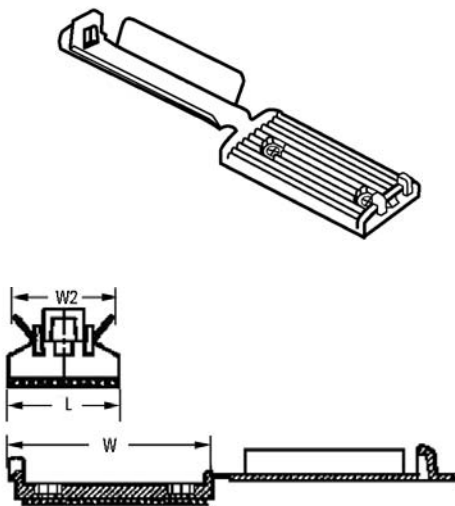
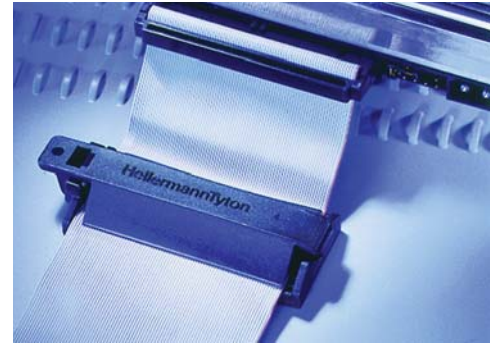


## Clamps and Clips

### Flat Ribbon Cable Clamps

HellermannTyton's flat ribbon cable clamps secure and route flat cable, ideal for automotive and household appliance applications. Available in adhesive backed and non-adhesive screw mount versions.

- Performs well in very dry, air-conditioned areas
- The rounded edges and soft wings protect and hold the cable securely
- Clamps are offered in four sizes that are easy to fasten and unfasten



#### Material Data

Material	<b>Polyamide 6.6 high impact modified (PA66HIR)</b>
Color	<b>Black</b>
Operating Temperature	<b>-40 °F to +230 °F (-40 °C to +110 °C)</b>
Flammability	<b>UL94 HB (only clamp without adhesive)</b>



#### Product Selection

Article No.	Part No.	Type	Length (L)	Width (W)	Width (W2)	Mounting Hole Ø		Pkg. Qty.	
			in. (mm)	in. (mm)	in. (mm)	in. (mm)	in. (mm)		
<b>Adhesive</b>									
151-15250	<b>151-15250</b>	FKH25A	1.22" (31.0)	.98" (25.0)	.86" (22.0)	n/a	n/a	100	
151-15300	<b>151-15300</b>	FKH30A	1.37" (35.0)	.98" (25.0)	.86" (22.0)	n/a	n/a	100	
151-15500	<b>151-15500</b>	FKH50A	2.22" (56.6)	.98" (25.0)	.86" (22.0)	n/a	n/a	100	
151-15800	<b>151-15800</b>	FKH80A	3.38" (86.0)	.98" (25.0)	.86" (22.0)	n/a	n/a	100	
<b>Non-Adhesive</b>									
151-16250	<b>151-16250</b>	FKH25	1.22" (31.0)	.98" (25.0)	.86" (22.0)	.122"	(3.1)	100	
151-16300	<b>151-16300</b>	FKH30	1.37" (35.0)	.98" (25.0)	.86" (22.0)	.122"	(3.1)	100	
151-16500	<b>151-16500</b>	FKH50	2.22" (56.6)	.98" (25.0)	.86" (22.0)	.122"	(3.1)	100	
151-16800	<b>151-16800</b>	FKH80	3.38" (86.0)	.98" (25.0)	.86" (22.0)	.122"	(3.1)	100	

Dimensions are approximate and subject to technical changes. Use **Part No.** for ordering and **Type** for specification purposes.