

132-00011

Button Head Tie, 105lb, 15", Max Bun Dia 4.33" PA66HS Black 50/pk

Article Number: 132-00011

Part Number: 132-00011

Type: BT105L

Material: PA66HIRHSUV



1. Base Data

Part No. 132-00011

Type BT105L

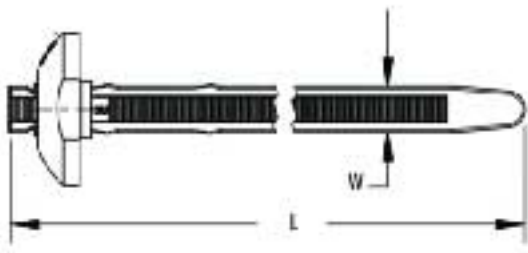
Color Black (BK)

Features The button head tie is a two piece fixing tie providing for parallel entry and exit through the head. The strap contains serrations on both sides and has two opposed pawls recessed within a domed head. This design allows the strap to be directed clockwise

Application

Using a single hole these 'chassis ties' are widely used in the automotive, truck and heavy equipment markets. Ideal for applications which have access to both sides of the hole - example truck frame rails.

2. Product Dimensions



Min. Tensile Strength	105 lbs / 467 N
Length (L)	15 " / 381.5 mm
Width (W)	.22 " / 5.6 mm
Min. Ø Bundle	.06 " / 1.5 mm
Max. Ø Bundle	4.33 " / 110 mm

4. Material and Specifications

Material Polyamide 6.6 high impact modified, heat-/UV-stabilized (PA66HIRHSUV)

Material Shortcut PA66HIRHSUV

Cable Tie	Polyamide 6.6 high impact modified, heat stabilized, UV resistant (PA66HIRHS)
Flammability	UL94 HB
Material Head	Polyamide 6.6 heat stabilized (PA66HS)
Operating Temperature	-40 °F to +221 °F (-40 °C to +105 °C) continuous

Logistic and Packaging

Packaging Type	bag
Pkg. Qty.	50
Carton Qty.	1000
UPC	08930627179

Cable Ties

Button Head Ties

The button head tie is a two piece tie providing for parallel entry and exit through the head. The strap contains serrations on both sides and has two opposed pawls recessed within a domed head.

This design allows the strap to be directed clockwise or counter-clockwise prior to insertion into the head, enabling bi-directional looping.



New and Improved Features

The button head tie offers many new and improved features for added durability and installation ease.

Standoff tabs — prevent tie head from seating in button during strap insertion

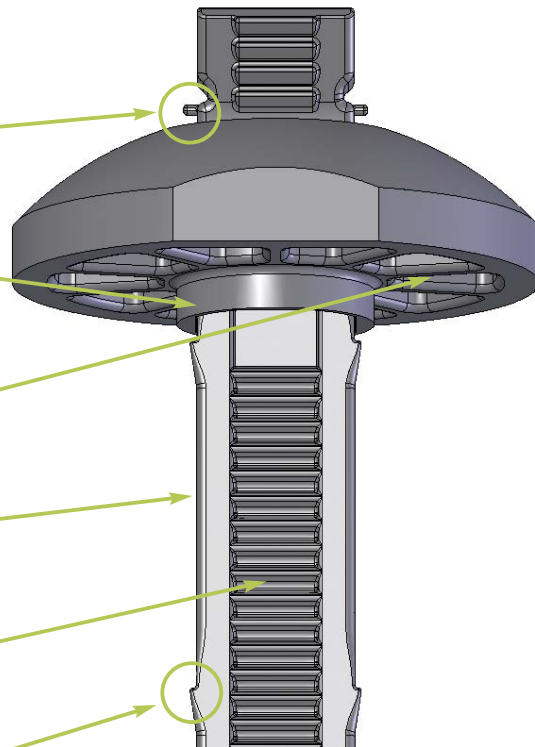
Pilot bushing - protects the strap from abrasion on the mounting hole edge

Ribs - increased ribs added to the bottom of the button head for added durability

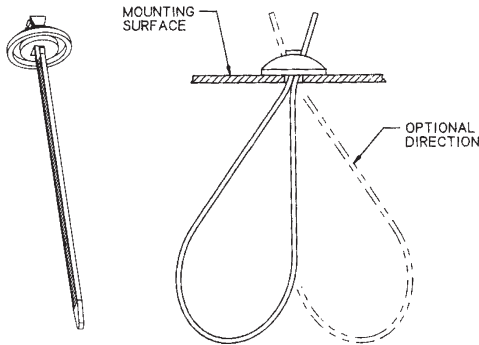
Strap - more radiused edges for added flexibility

Serrations - redesigned serrations and wedge design provide optimal strength when seated in the head

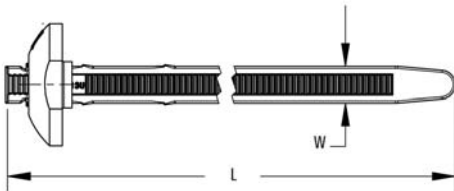
Retainers — lower retainers on BT130 help prevent the strap from backing out of the mounting hole and holds HellermannTyton's saddle mounts in place during assembly.



Button Head Ties *continued*



Material Data	
Cable Tie Material	Polyamide 6.6 high impact modified, heat stabilized (PA66HIRHS)
Button Head Material	Polyamide 6.6 heat stabilized (PA66HS)
Operating Temperature	-40 °F to +221 °F (-40 °C to +105 °C) continuous
Color	Black
Flammability	UL94 HB



Product Selection			Min. Tensile Strength	Length (L)	Max. Ø Bundle	Width (W)	Color	Pkg. Qty.
Article No.	Part No.	Type						
BT105 Button Head Ties								
132-00010	132-00010	BT105R	105 lbs (467)	9.63" (244.4)	2.62" (66.7)	.22" (5.6)	Black	50
132-00011	132-00011	BT105L	105 lbs (467)	15" (381.5)	4.33" (110)	.22" (5.6)	Black	50
BT105 Button Head Ties with Pilot Bushings								
132-00006	132-00006	BT105RP	105 lbs (467)	9.63" (244.4)	2.62" (66.7)	.22" (5.6)	Black	50
132-00007	132-00007	BT105LP	105 lbs (467)	15" (381.5)	4.33" (110)	.22" (5.6)	Black	50
BT130 Button Head Ties with Retainers and Pilot Bushings								
132-00008	132-00008	BT130RDP	130 lbs (578)	10.51" (267.0)	2.87" (73)	.30" (7.6)	Black	50
132-00009	132-00009	BT130LDP	130 lbs (578)	15" (381.5)	4.33" (110)	.30" (7.6)	Black	50

Installation tools - MK9, MK9HT, MK9P. Dimensions are approximate and subject to technical changes. Use **Part No.** for ordering and **Type** for specification purposes.