

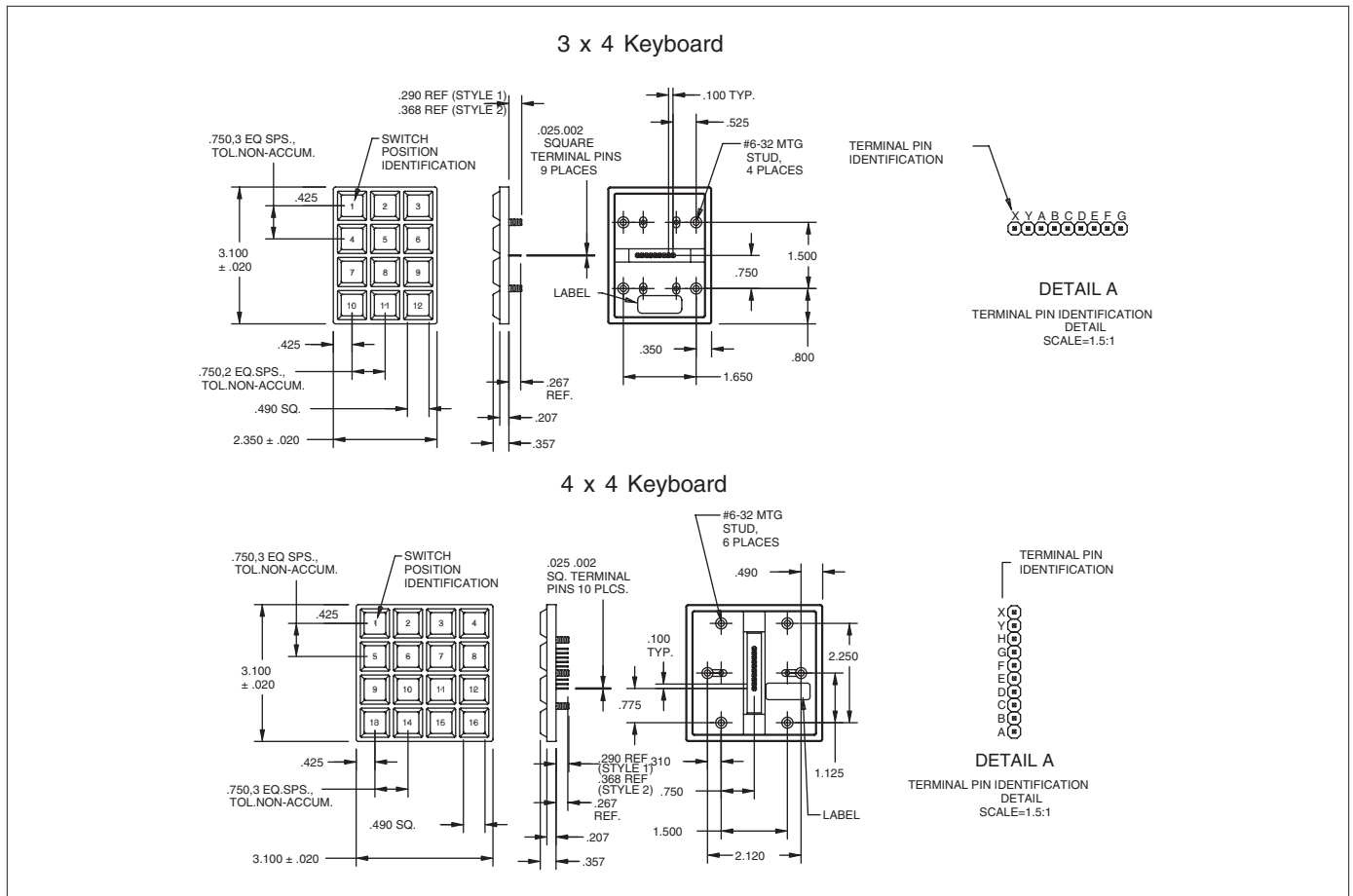
SERIES 84BL
Standard Backlit

FEATURES

- Backlit for Low Light Applications
- Waterproof Silicone Rubber
- Audible, Tactile Contacts
- Low Contact Resistance
- Optional RFI/EMI Shielding
- 3,000,000 Operations per Button

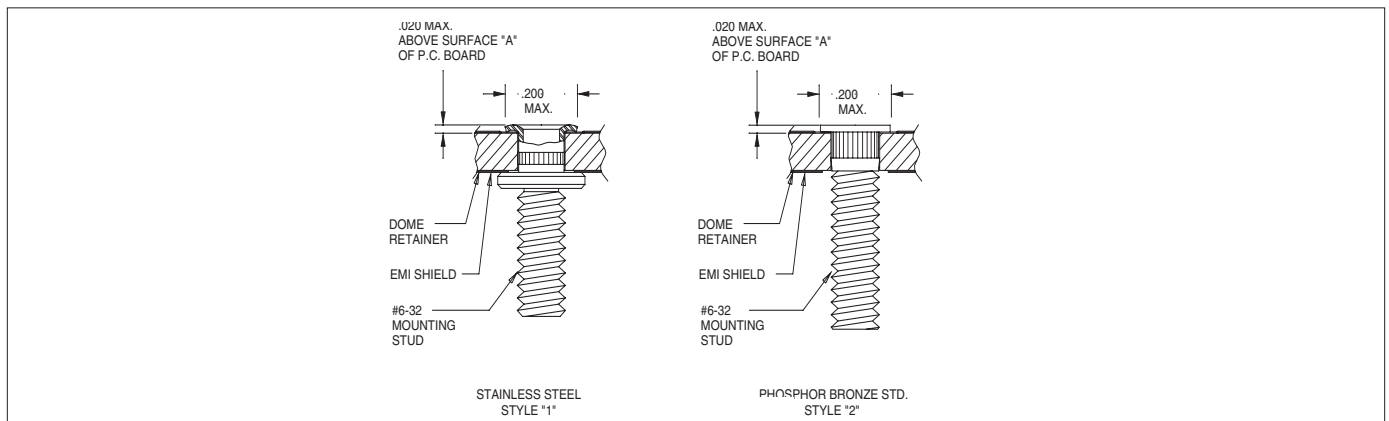


DIMENSIONS In inches (and millimeters)



Keyboards and Keypads

Stud Detail

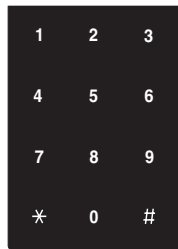


SCHEMATIC AND TRUTH TABLE

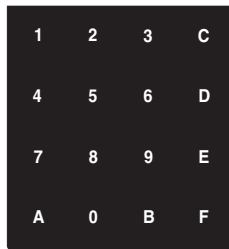
LED Color	Forward Voltage			Resistor (OHMS)	Typ. Current Consumption (With 5V Pwr. Supply)	
	Min.	Typ.	Max.		3 x 4	4 x 4
Red	-	1.95	2.40	43	155mA	205mA
Yellow	-	1.95	2.40	43	155mA	205mA
Green	1.50	-	2.40	43	155mA	205mA
Orange	-	1.95	2.40	43	155mA	205mA

STANDARD LEGENDS

Available through Grayhill Distributors To order one of the configurations below, use the dash number shown here; select the keypad size and order the part number with the appropriate legend dash number. Contact Grayhill for Customs.



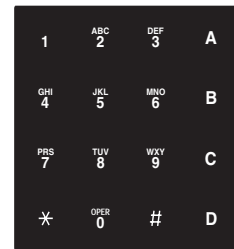
-112



-014



-113



-016

SPECIFICATIONS

Rating Criteria

Rating at 24 Vdc: - 10 milliamps resistive
 Contact Bounce: 4 milliseconds maximum at make; 10 milliseconds, at break
 Contact Resistance: 10 ohms maximum

Life Expectancy: 3 million operations/button
 Insulation Resistance: •1,000 megohms

Operating Features
 Pre-Travel: .030 inches minimum
 Operating Force: 20 ± 4 ounces
 Humidity: 0 to 98% (no condensation)

Materials and Finishes

Terminal Pins: Copper alloy CDA 725
 PC Board: FR-4 glass cloth epoxy
 Dome Retainer/Rear Seal Sheet: Polyester
 Mounting Studs: Style 1: Stainless steel, Style 2: Phosphor bronze
 Optional Hex Nut: Stainless steel, passivated
 Optional EMI Shield: Aluminum foil
 Keypad: Silicone rubber

ORDERING INFORMATION

84BL = Printed Legend, Sealed and Shielded
 84BLN = Printed Legend, Sealed and Non-Shielded
 Keyboard Size: A = 3 x 4, B = 4 x 4
 B = Matrix Code
 1 = Style "1" Terminal Pin Header (see stud detail), 2 = Style "2" Terminal Pin Header (see stud detail)

84BLN-AB1-XXXAN

N = Mounting Nuts Supplied and Shipped Loose, Blank = No Nuts Supplied
 Led Color: A = Red, B = Yellow, C = Green, D = Orange
 Standard Legends: -112 or -113 for 3x4, -014 or -016 for 4x4