

SERIES 48A
Slide Switches

FEATURES

- Save Space and Weight
- SPDT and DPDT Circuitry
- Choice of Actuators and Terminations



MODELS In inches (and millimeters)

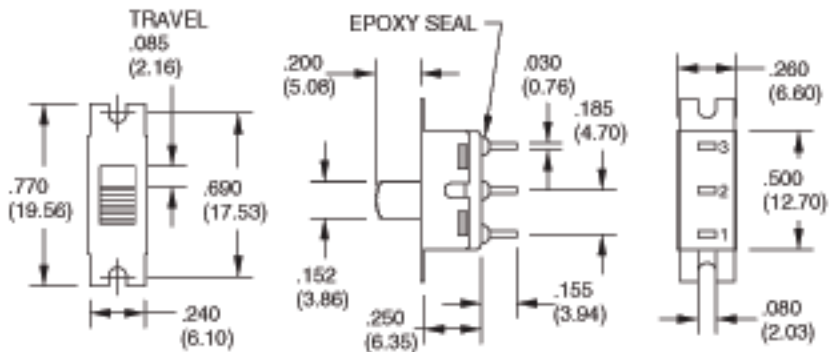
SPDT

MODEL NO.	SWITCH POSITION		
SSP1	ON	NONE	ON
SSP2	ON	NONE	(ON)
SSP3	ON	OFF	ON
TERM. COMM.	2-1	OPEN	2-3

()=MOMENTARY

02COMM.

SCHEMATIC 1 ● ● 3



DPDT

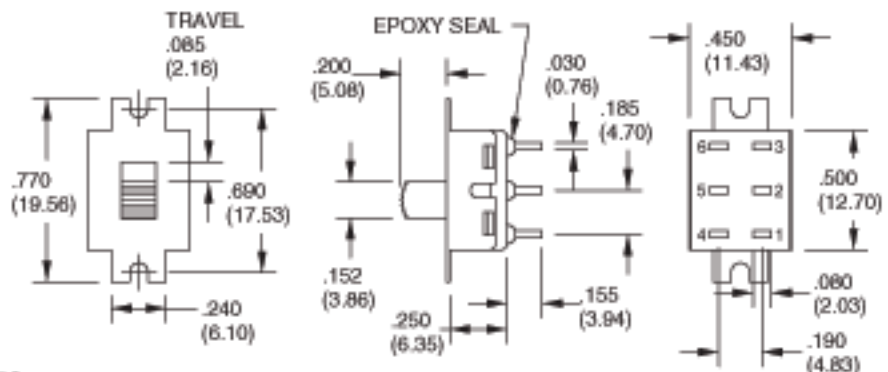
MODEL NO.	SWITCH POSITION		
SDP1	ON	NONE	ON
SDP3	ON	OFF	ON
TERM. COMM.	2-1,5-4	OPEN	2-3,5-6

()=MOMENTARY

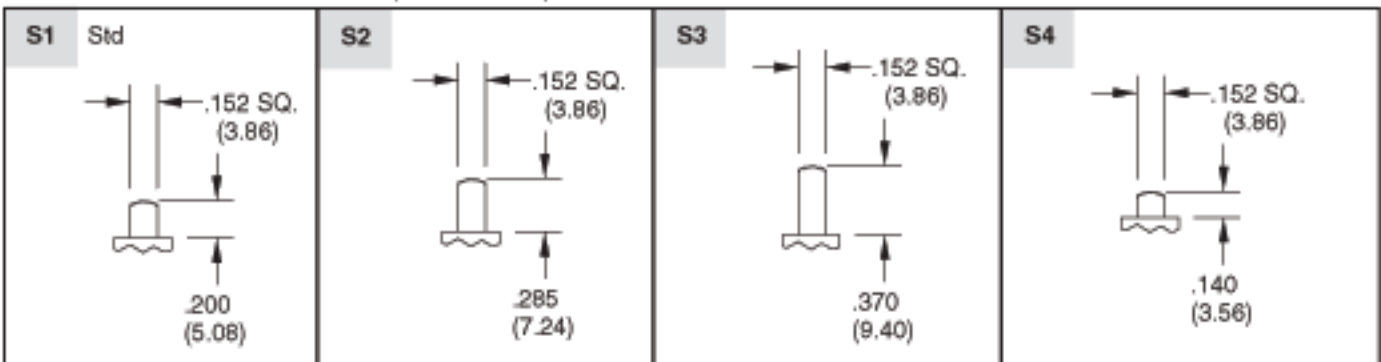
02COMM.

03COMM.

SCHEMATIC 1 ● ● 3 4 ● ● 6



ACTUATOR OPTIONS In inches (and millimeters)

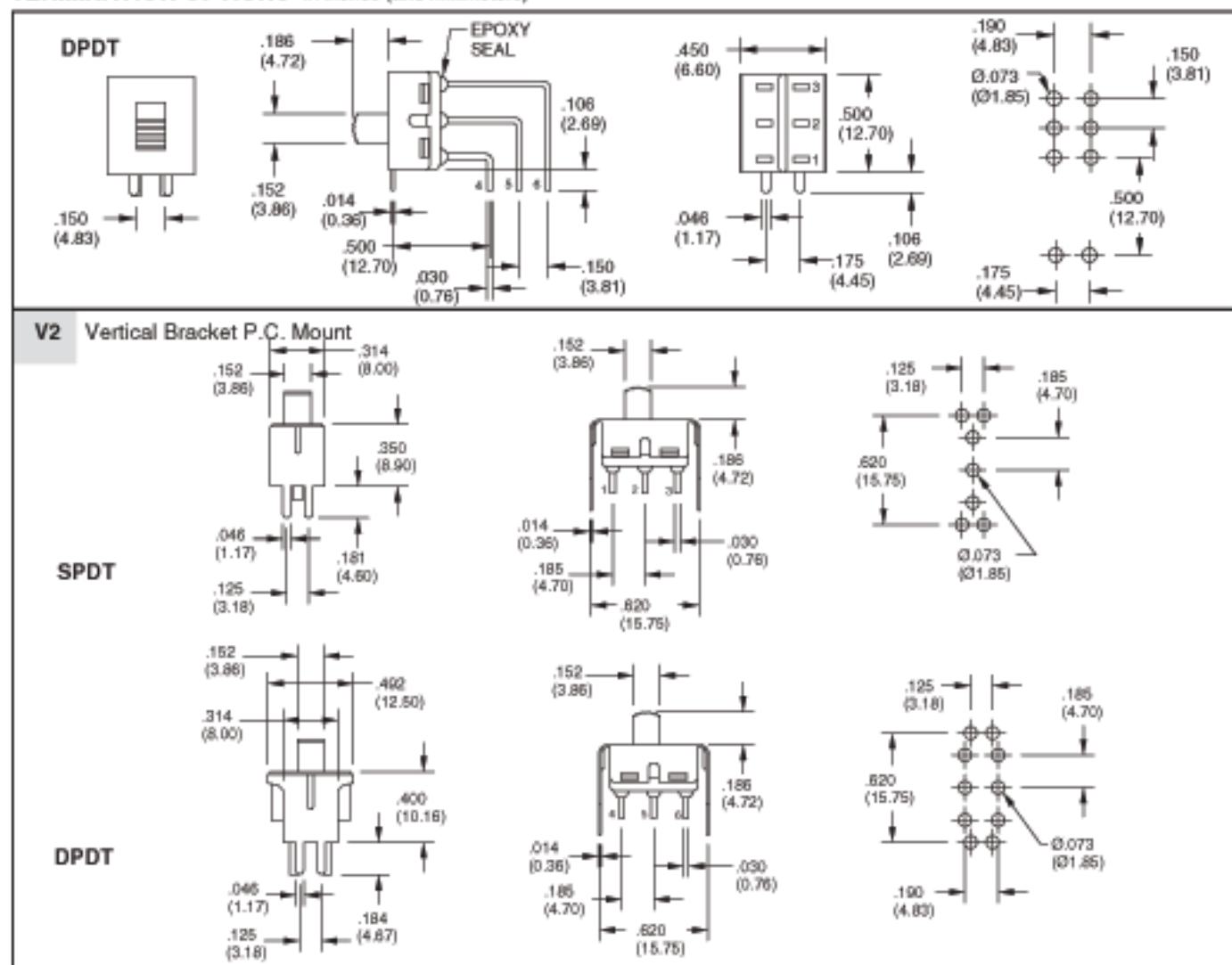


ACTUATOR OPTIONS In inches (and millimeters)

S5 For DPDT Only 	S6 	S7 	T1 For DPDT Only
-----------------------------	---------------	---------------	-----------------------------

TERMINATION OPTIONS In inches (and millimeters)

M1 Solder Lug 	M2 P.C. Mount (Std) 	M3 P.C. Mount, Quick Connect
M6 Right Angle P.C. Mount, Horizontal Actuation 		
M7 Right Angle P.C. Mount, Vertical Actuation 		

TERMINATION OPTIONS In inches (and millimeters)

SPECIFICATIONS
RATINGS

Contact Rating: Q option - 5A with resistive load @ 125 VAC or 28 VDC; 2A with resistive load @ 250 VAC. R option - 0.4 VA max @ 20 Vmax (AC or DC)

Electrical Life: 30,000 cycles at full load

Contact Resistance: 10 milliohms max. initial @ 2-4 VDC, 100 mA

Insulation Resistance: 1,000 megaohms minimum

Dielectric Strength: 1,000 V RMS @ sea level

Operating Temperature: -30°C to 85°C

MATERIALS

Case: Diallyl phthalate (DAP) (UL94V-0)

Housing: Stainless steel

Slide Handle: Nylon

Terminal/Contacts: Copper alloy with gold over silver plate.

Terminal Seal: Epoxy

ORDERING INFORMATION


Series 48A Slide Switches

Model: SPDT: SSP1, SSP2, SSP3

DPDT: SDP1, SDP3

Actuator Options: S1, S2, S3, S4, S5, S6, S7, T1
(See Actuator options.)

RoHS Compliant

Mounting Options: A = Mounting Tabs, B = No Mounting Tabs

Contacts: R = Copper alloy, gold plate over nickel plate,

Q = Copper alloy, silver plate

Termination Options: M1, M2, M3, M6, V2
(See Termination options.)