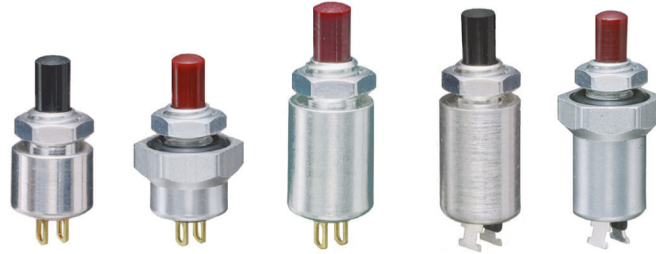


SERIES 39
SPST, 150 mA to 1/2 Amp

FEATURES

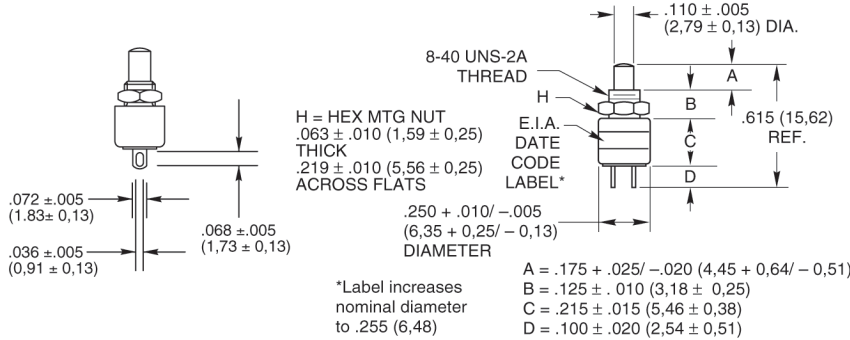
- Requires an Absolute Minimum of Space
- Molded-In Terminals in SPST–N.O.
- Solder Lug Terminals



DIMENSIONS In Inches (and millimeters)

Normally Open–SPST Economy and Standard Version

39-1
39-3
39-601*



Economy Version

Electrical Ratings		Operations at Rated Load	*Complete Part Number	Button Color
At 5 Vdc 150 mA	At 20 Vdc 20 mA	1,000,000	39-601 RED 39-601 BLK	Red Black

Action	Total Travel	Actuating Force (oz.)	Mtg. Hole
Momentary	.035 ± .015 (0,89 ± 0,38)	4 + 4 - 2	11/64" (4,37) DIA.

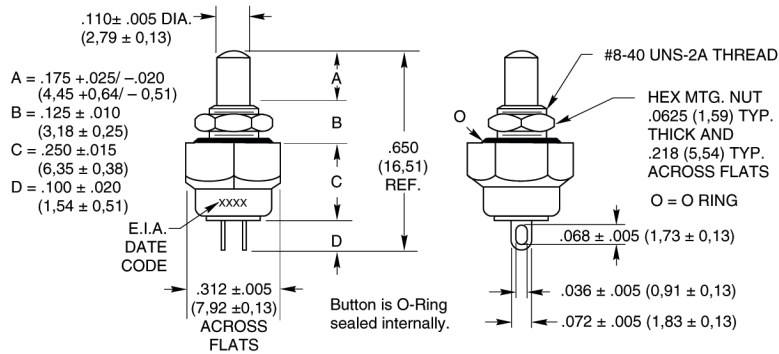
Standard

Electrical Ratings		Operations at Rated Load	Complete Part Number	Button Color
At 115 Vac 1/2 Amp Res.	At 220 Vac 1/4 Amp Res.	1,000,000	39-1 39-3	Red Black

Action	Total Travel	Actuating Force (oz.)	Mtg. Hole
Momentary	.035 ± .015 (0,89 ± 0,38)	4 + 4 - 2	11/64" (4,37) DIA.

Normally Open–SPST with Sealed Bushing and Button

39-351*

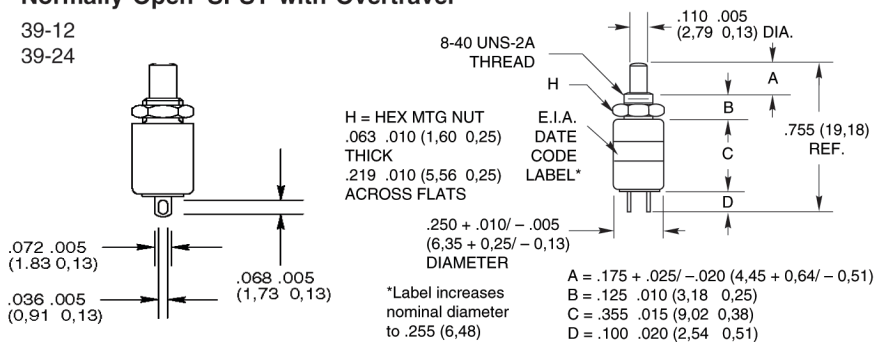


Rating at 115 Vac Resistive	Rating at 220 Vac Resistive	Operations at Rated Load	*Complete Part Number	Button Color
1/2 Amp	1/4 Amp	250,000	39-351 RED 39-351 BLK	Red Black

Action	Total Travel	Actuating Force (oz.)
Momentary	.035 ± .015 (0,89 ± 0,38)	16 ± 8

Normally Open–SPST with Overtravel

39-12
39-24



Rating at 115 Vac Resistive	Rating at 220 Vac Resistive	Operations at Rated Load	Complete Part Number	Button Color
1/2 Amp	1/4 Amp	100,000	39-12 39-24	Red Black

Action	Total Travel	Over Travel	Actuating Force (oz.)	Mtg. Hole
Momentary	.130 ± .025 (3,30 ± 0,64)	.015 (0,38) Min.	5 ± 3	11/64" (4,37) DIA.

Pushbutton Switches

DIMENSIONS In Inches (and millimeters)

Normally Closed-SPST

39-2

H = HEX MTG NUT
 $.063 \pm .010$ (1,60 ± 0,25) THICK
 $.219 \pm .010$ (5,56 ± 0,25) ACROSS FLATS

8-40 UNS-2A THREAD

E.I.A. DATE CODE LABEL*

Dimensions:
 $.105 \pm .005$ (2,67 ± 0,13) DIA.
 $.780$ (19,81) REF.
 $.250 + .010 / -.005$ (6,35 + 0,25 / - 0,13) DIAMETER
 $.100 \pm .010$ (2,54 ± 0,25)
 $.060 \pm .010$ (1,52 ± 0,25)

Actuation Characteristics:

Rating at 115 Vac Resistive	Rating at 220 Vac Resistive	Operations at Rated Load	Part Number	Cap Color
1/4 Amp	1/8 Amp	250,000	39-2	Black

Action	Total Travel	Actuating Force (oz.)	Mtg. Hole
Momentary	$.042 \pm .010$ (1,07 ± 0,25)	+ 4 - 2	.172 (4,37) DIA.

Notes:
 A = $.175 \pm .025$ (4,45 ± 0,64)
 B = $.125 \pm .010$ (3,18 ± 0,25)
 C = $.390 \pm .010$ (9,91 ± 0,25)
 D = $.100$ (2,54) MAX.
 *Label increases nominal diameter to .255 (6,48)

Normally Closed-SPST with Sealed Bushing and Button

39-352*

#8-40 UNS-2A THREAD

H = HEX MTG. NUT
 $.0625$ (1,59) TYP. THICK AND
 $.218$ (5,56) TYP. ACROSS FLATS

O-RING

E.I.A. DATE CODE LABEL*

Dimensions:
 $.110 \pm .005$ DIA. (2,79 ± 0,13)
 $.819$ (20,80) REF.
 $.250 + .010 / -.005$ (6,35 + 0,25 / - 0,13)
 $.312 \pm .005$ (7,92 ± 0,13) ACROSS FLATS
 $.100 \pm .010$ (2,54 ± 0,25)
 $.060 \pm .010$ (1,52 ± 0,25)
 A = $.165 + .035 / -.015$ (4,19 + 0,89 / - 0,38)
 B = $.125 \pm .007$ (3,18 ± 0,18)
 C = $.429 \pm .015$ (10,90 ± 0,38)
 D = $.100$ (2,54) MAX.
 E = 10° TO 40° APPROX.

Button is o-ring sealed internally.

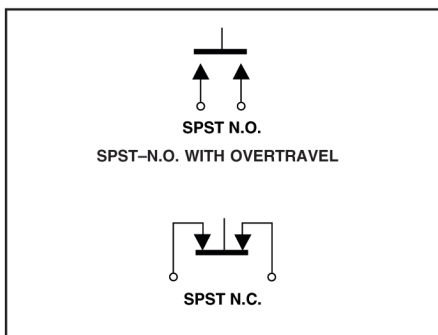
*Label increases nominal diameter to .255 (6,48)

Actuation Characteristics:

Rating at 115 Vac Resistive	Rating at 220 Vac Resistive	Operations at Rated Load	*Complete Part Number	Button Color
1/4 Amp	1/8 Amp	100,000	39-352 RED 39-352 BLK	Red Black

Action	Total Travel	Actuating Force (oz.)
Momentary	$.042 \pm .010$ (0,17 ± 0,25)	8 ± 4

CIRCUITRY



SPECIFICATIONS

Rating Criteria

Contact Resistance: 25 milliohms maximum on a new switch

Voltage Breakdown: 1,000 Vac between mutually insulated parts

Insulation Resistance: 1,000 megohms minimum

Operating Temperature: -40°C to +85°C

Mounting Torque: 2 inch-pounds

Materials and Finishes

Mounting Nut: Brass, tin zinc

Housing: Aluminum, clear anodized for 39-351 and 39-352; Brass, zinc trivalent chromate-plated for others

Button: Thermoset plastic

Base: Thermoset plastic

Shorting Bar: Fine silver for 39-2 and 39-352; brass, gold-plated over nickel plate for 39-601; fine silver, gold-plated for others

Terminals: Fine silver for 39-2 and 39-352; commercial bronze with gold-plated fine silver contact surface for others

Spring: Tinned music wire

O-Rings: (39-351 and 39-352) Internal ring is silicone; external ring is buna 'N'

ACCESSORY

Button Cap
 Part No. 30B1012
 For use with part numbers 39-351 and 39-352. (Fasten to button with Cyanoacrylate Adhesive)
 See page E-XX for dimensions.

ORDERING INFORMATION

Part Number	Description
39-1	N.O., Red Button
39-2	N.C., Black Button
39-3	N.O., Black Button
39-12	N.O., Overtravel Red Button
39-24	N.O., Overtravel Black Button
39-351 RED	N.O., Sealed, Red Button
39-351 BLK	N.O., Sealed, Black Button
39-352 RED	N.C., Sealed, Red Button
39-352 BLK	N.C., Sealed, Black Button
39-601 RED	N.O., Economy, Red Button
39-601 BLK	N.O., Economy, Black Button

Accessory cap may be used with all switches shown except 39-2.

Accessory Part Number	Description
30B1012-5	Red Button Cap
30B1012-9	Black Button Cap
30B1012-8	White Button Cap