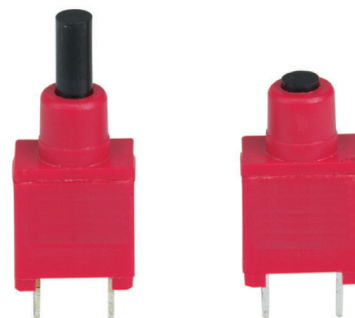


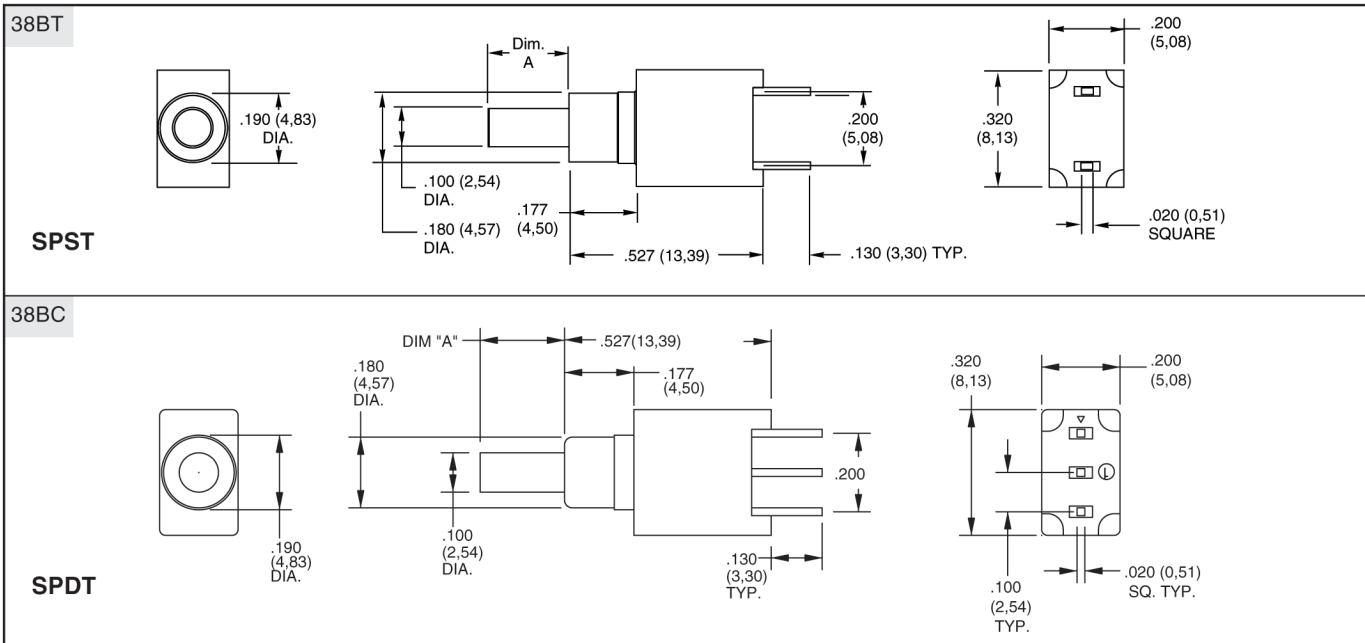
SERIES 38BT and 38BC
Sub-Miniature Vertical PC Mount

FEATURES

- Actuates at Right Angle to Printed Circuit Board
- Drop-In Replacement for Industry Standard
- SPST and SPDT, Momentary Contact
- Sealed Plunger Option



DIMENSIONS In inches (and millimeters)



Unless otherwise indicated, tolerances are ± .010 (0,25)

SPECIFICATIONS

Electrical Ratings

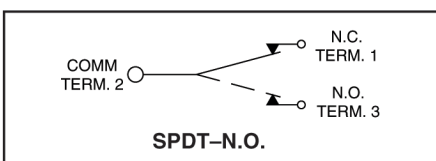
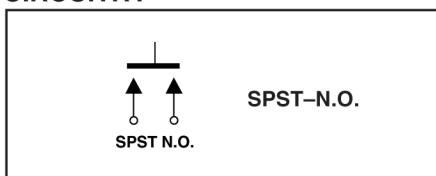
Operating Life: 80,000 make-and-break cycles at full load
Contact Rating (resistive load):
Gold Contacts: 0.4 VA maximum at 20 Vac or Vdc
Silver Contacts: 1.0 Amp maximum at 120 Vac or 28 Vdc
Contact Resistance: Below 20 milliohms typical initial at 2-4 Vdc, 100 mA, for both silver and gold-plated contacts

Insulation Resistance: 1000 megaohms minimum
Voltage Breakdown: 1000 Vrms minimum at sea level
Operating Temperature: -30°C. to +85°C.
Solderability: Per MIL-STD-202F, Method 208D, or EIA RS-186E, Method 9 (1 hour steam aging)

Materials and Finishes

Base and Cover: Thermoplastic (UL 94V-0)
Plunger: Thermoplastic (UL 94V-0), (S versions include an internal o-ring seal)
Terminals: Copper alloy, gold or silver plate (as specified) over nickel plate
Spring: Plated music wire
Contact System: Copper alloy, gold or silver plate (as specified) over nickel plate

CIRCUITRY



ORDERING INFORMATION

38BT-4-V-3-S

Series: 38BT = SPST, Momentary, Thru-Hole
 38BC = SPDT, Momentary, Thru-Hole
Dimension A: 0 = 0.020" 4 = 0.215"

Seal: S = O-Ring Seal, N = No Seal
Contact Material: 1 = Solder Dip over Gold
 2 = Solder Dip over Silver
 3 = Gold - RoHS Compliant
 4 = Silver - RoHS Compliant
Orientation: V = Vertical to PCB

Pushbutton Switches