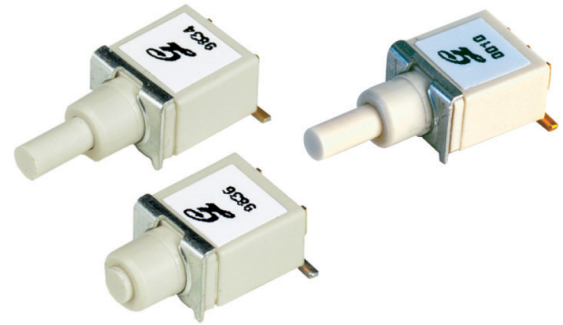


## SERIES 38BM AND 38BC Sub-Miniature Surface Mount

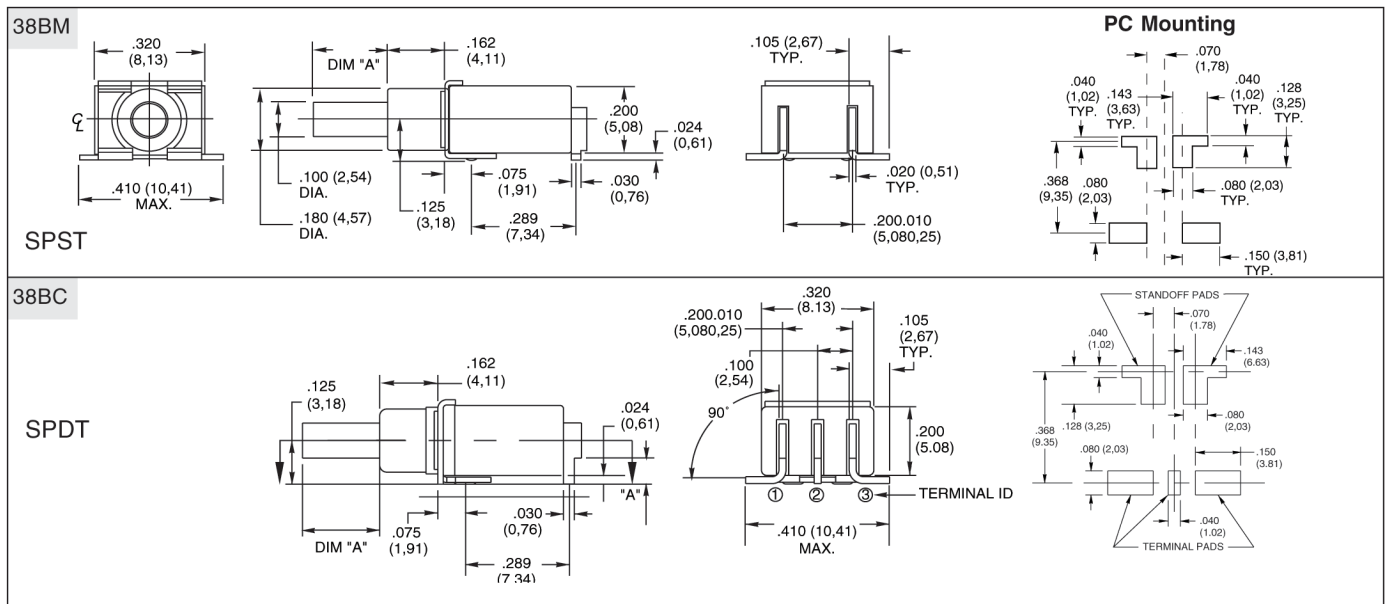
### FEATURES

- Surface Mount Process Compatible
- Sealed Construction
- SPST and SPDT, Momentary Contact
- Extended or Flush Plunger
- Drop-In Replacement for Industry Standard



### SPECIFICATIONS

#### DIMENSIONS In inches (and millimeters)



#### Rating Criteria

**Operating Life:** 80,000 make-and-break cycles at full load

#### Contact Rating (resistive load):

**Gold Contacts:** 0.4 VA maximum at 20 Vac or Vdc maximum

**Silver Contacts:** I.O. Amps maximum at 120 Vac or 28 Vdc

**Contact Resistance:** Below 20 milliohms typical initial at 2-4 Vdc, 100 mA

**Insulation Resistance:** 1000 megaohms min.  
**Voltage Breakdown:** 1000 Vrms minimum at sea level

**Operating Temperature:** -30°C to +85°C

**Solderability:** Per MIL-STD-202F, Method 208D, or EIA RS-186E Method 9 (1 hour steam aging)

#### Materials and Finishes

**Base and Cover:** Thermoplastic (UL 94V-0)

**Plunger:** Thermoplastic (UL 94V-0), with standard internal o-ring seal

**Terminals:** Copper alloy, gold plate over nickel plate

**Spring:** Plated Music Wire

**Contact System:** Copper alloy, gold or silver plate (as specified) over nickel plate

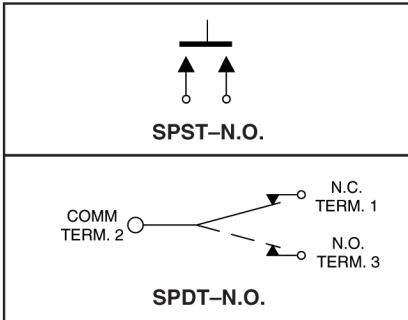
**Switch Support:** Brass, tin-plated

#### Available from your local Grayhill Distributor.

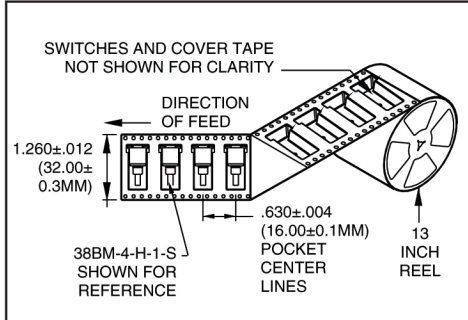
For prices and discounts, contact a local Sales Office, an authorized local Distributor or Grayhill.

**SERIES 38BM AND 38BC**  
Sub-Miniature Surface Mount

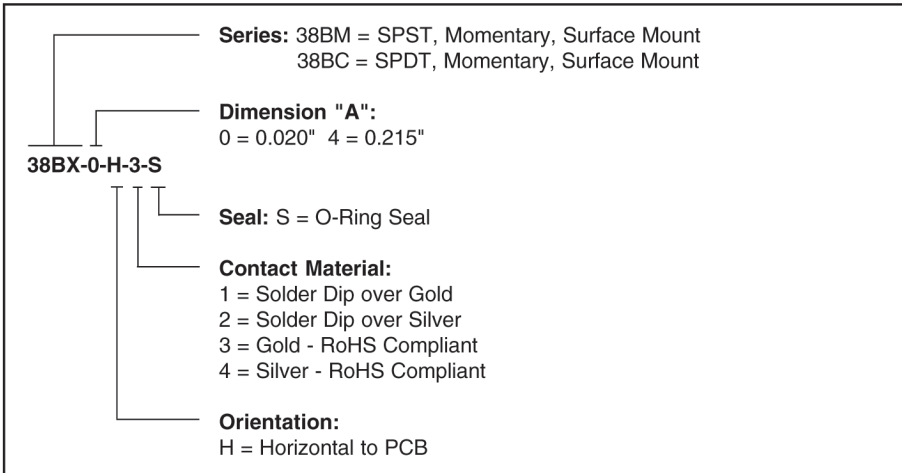
**CIRCUITRY**



**TAPE AND REEL PACKAGING**



**ORDERING INFORMATION**



Pushbutton Switches